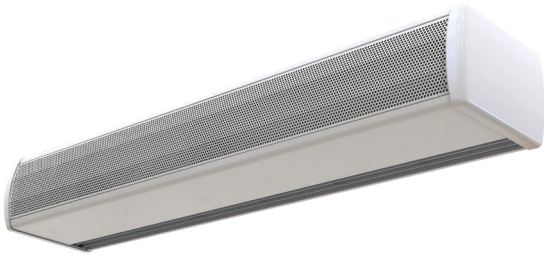




Technical features



RAL 9016 standard



Other colors on request



Aqua Aero coating on request



Range
Up to 3 m



Airflow
1650 - 3190 m³/h



Fans
Twisted cross-flow
External rotor motor



Chamber temperature
Above 0°C



Protection grade
IP20



Casing
Galvanised Steel
Self-Supporting



Grille type
Hexagonal 5 mm



Outlet vanes
Airfoil - Non-Adjustable



Control
Stepless regulator

Specially designed to be installed in doors of cold stores with higher temperatures than 0°C. OPTIMA K is a small and compact air curtain of elegant and friendly design with rounded shape and edges. It incorporates a large faceted inlet grille avoiding intensive maintenance.

These air curtains work with low noise twisted cross-flow fans, driven with external rotor motors. This allows for a more homogeneous airflow. Includes stepless regulation. It controls the air outlet speed continuously (without steps) allowing the air curtain to be calibrated at its optimum point. It also includes kick-start function.

AIR ONLY

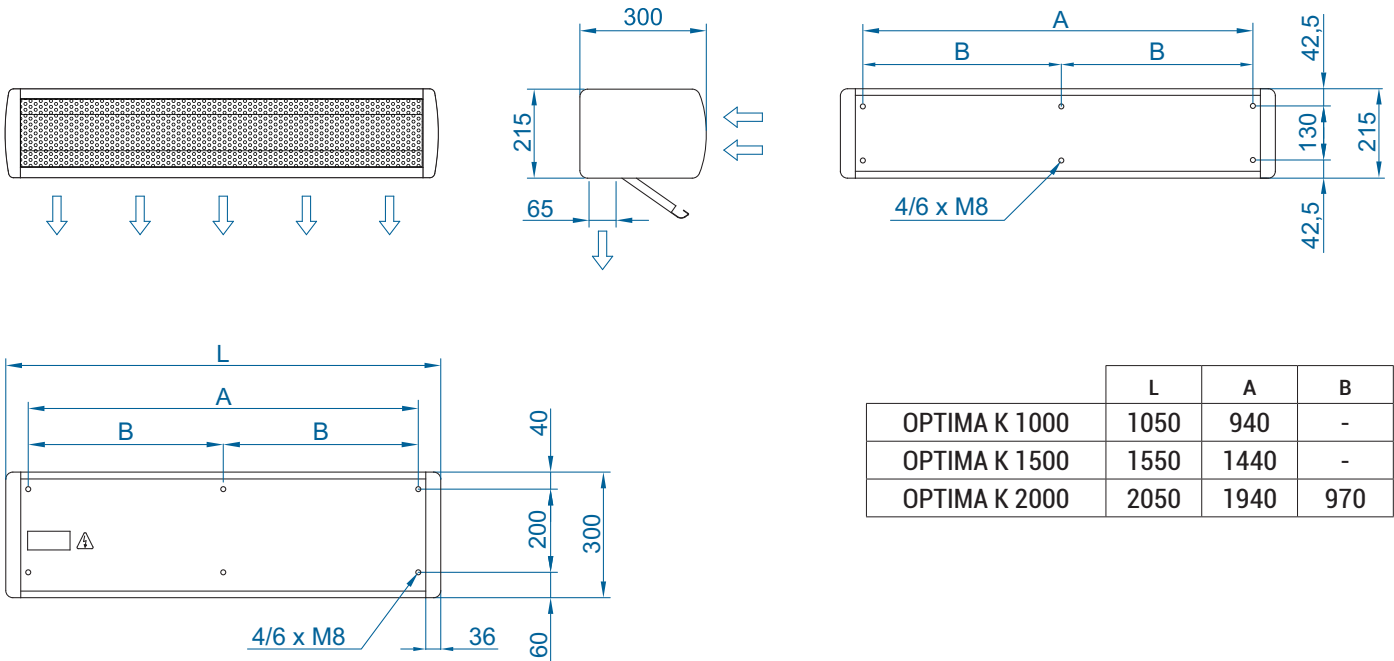
Model	Airflow m ³ /h	Power Fans 230V-50/60Hz W	Current Fans 230V-50/60Hz A	Noise Level (5 m) dBA	Weight kg
OPTIMA K 1000 A	1650	80	0,41	35/50	18
OPTIMA K 1500 A	2365	117	0,53	36/51	26
OPTIMA K 2000 A	3190	160	0,82	38/53	34



Selection program



Dimensions



Accessories

Supports



Wall rail support
SPWR



Silentblock supports
SPANG-SIL / SLB



Grippler hanger
SPCT



Omega wall support
SPT2



Middle Joint
TRVCC006005

Sensors



Mechanical door contact
DC

CAD drawings, BIM files, installation manuals and other documentation

