



AIRTECHNIC

www.airtechnic.gr

Air-Conditioning & Ventilation Components & Systems

- **Differential Pressure Switch**

EPDS - 05

by **AIRTECHNIC**



www.airtechnic.gr



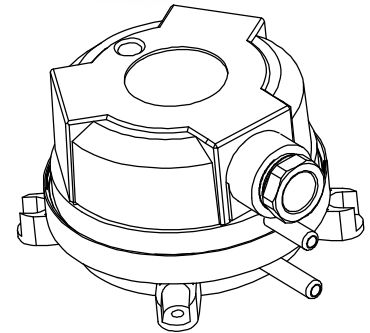
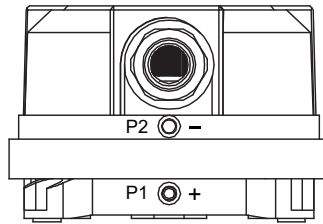
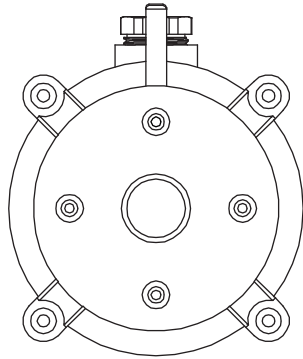
www.facebook.com/Airtechnic.gr



Differential Pressure Switch **EPDS - 05**

by **AIRTECHNIC**

The **EPDS - 05** is an adjustable differential pressure switch, capable of detecting minuscule changes in pressure due to its size and special design. The pressure set point can be adjusted without the need of a manometer, by simply using the adjustment knob and the integrated visual scale. This switch is equipped with a transparent cover that not only protects the adjustment knob but also provides class IP54 protection.



APPLICATION

Suitable for indicating filter, fan, fire damper or air flow status, in ventilation & air conditioning systems.

BENEFITS

Easily adjustable set point with scale in Pascal; Direction of CM conduit entry can be rotated in steps of 180°.

APPROVALS

CE approval according to low-voltage directive EEC73/23.

TECHNICAL SPECIFICATIONS

MODEL	EPDS - 05
Pressure media	Air, non-flammable and non-aggressive gases
Max operating pressure	500 Pa
Mounting position	Vertical
Pressure connections	2 plastic tubes - external diameter : 6.0 mm
Conduit entry	PG11
Degree of protection	IP54 (with cover)
Operating temperature	-40 °C ÷ +85 °C
Membrane material	Silicone
Mounting legs	Integrated at the bottom of the housing (alternative : mounting angles)
Contact arrangement	SPDT
Electrical rating	Resistance : Initial < 100 mΩ / Current : 1,5 A (0,4 A) - 250V
Terminal	6,3 mm x 0,8 blade or screw terminals
Connection	Ø 6,4 mm for tube connection

TYPE	Adjustment range for upper trip pressure*	Switching difference (hysteresis)
EPDS - 05	50 ÷ 500 Pa	20 (Pa)

*The trip pressure refers to vertical mounting. In case of horizontal mounting (with the cover facing upwards), the range values are increased by 20 Pa.

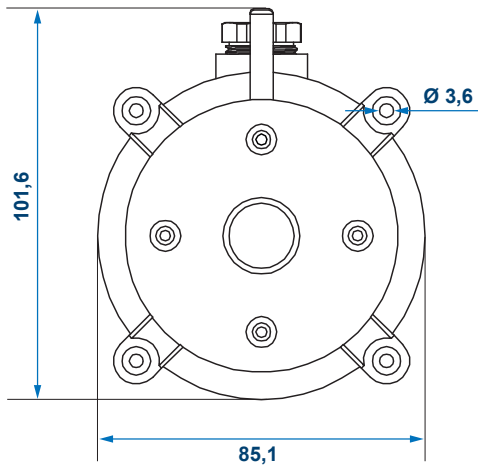
CONTENTS of DELIVERY

The delivery includes (in the case of individual packages) the following parts :

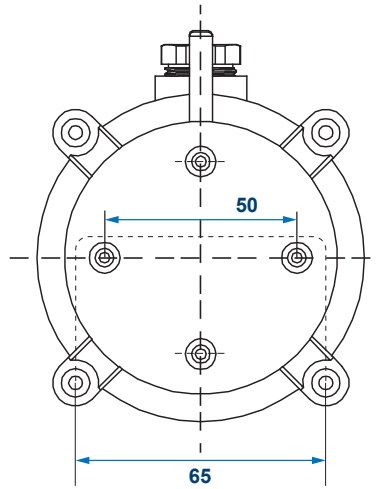
- ◆ 1 EPDS Differential Pressure Switch.
- ◆ 1 Data sheet with installation information.
- ◆ Duct kit consisting of : 1.3 m of silicone hosing, 2 joining pipes with 5 screws , 2 self-tapping screws for mounting the housing, 3 terminal screws for electrical installation.



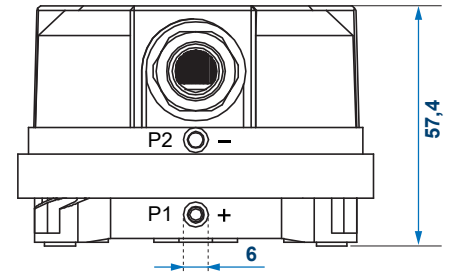
DIMENSIONS



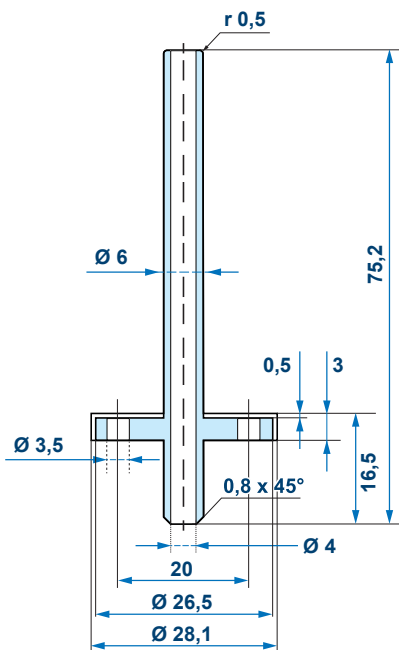
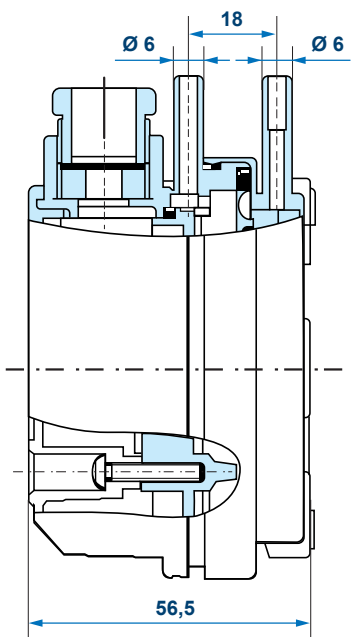
Mounting with 4 screws.



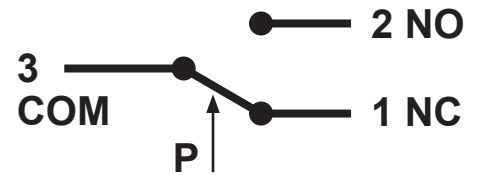
Mounting with 2 screws.



P1 = higher pressure / P2 = lower pressure



ARRANGEMENT of CONTACTS



CAUTION

Switch off power before removing cover!



NOTE

Do not install upside down with trip pressures of less than 50 Pa!



ISO 9001:2015



ISO 14001:2015

AIR HANDLING UNITS




EUROVENT
CERTIFIED
PERFORMANCE
Air Handling Units
www.eurovent-certification.com

HEAT EXCHANGERS



EC
MOTORS

FAN COIL UNITS



FANS & FAN SECTIONS



BRUSHLESS

FIRE DAMPERS



AIR OUTLETS



STEAM HUMIDIFIERS - DEHUMIDIFIERS



CENTRAL VACUUM SYSTEMS



TUBO
THINK CLEAN

STAINLESS STEEL CHIMNEYS



AIR FILTERS



AIR CURTAINS



EVAPORATIVE COOLING




Main Office ATHENS

📍 Michail Karaoli Str. 19,
14343, Nea Chalkidona, Athens
211-7055500
✉ sales@airtechnic.gr

Factory - THIVA

📍 4th km Thiva - Chalkida Hwy,
32200, Thiva
22620 - 89006
✉ factory@airtechnic.gr

Factory - THESSALONIKI

📍 End of Meandrou Str.,
57013, Oraiokastro, Thessaloniki
2311 - 824000
✉ thessaloniki@airtechnic.gr