

RECESSED DAM VRF-CA | Heat Pump Energy Saving Air Curtains For CARRIER Outdoor Units (VRF)



Characteristics



- Energy saving heat pump air curtains: Up to 70% reduction in costs and CO₂ emissions (heating mode).
- Compact and low profile recessed air curtain with full grille view.
- Self-supporting casing construction made of galvanized steel plate, ready to be installed recessed in a false ceiling.
- Inlet grille (free of maintenance) made with aluminium profiles and blow-out nozzle, integrated in a single white frame colour RAL 9016. Other colours are available on request.
- EC Double-inlet centrifugal fans driven by an external rotor motor and low noise level, with very low consumption efficiency fans.
- Includes direct expansion coil with sensors. Optional condensate water pump.
- CS-5DX-NE Plug&Play control with 5 speeds and telephone cable 7m included.
- Requires CARRIER VRF Interface KIT adapted for air curtain, programmable control and expansion valve, please consult.
- Ready to connect to CARRIER VRF outdoor heat pump unit (R410A), not included, the customer should purchase it.

Specifications

Model	Airflow m ³ /h	Carrier Direct Expansion Valve	Power Fan 230V-50Hz kW	Current Fan 230V-50Hz A	Noise Level (5 m) dB(A)	Weight kg
RDAM ECM 1500 VRF12-CA	2460	MMDXV140	0,213	1,86	57	74
RDAM ECM 2000 VRF16-CA	3280	MMDXV140	0,284	2,48	58	95
RDAM ECM 2000 VRF19-CA	3280	MMDXV280	0,284	2,48	58	95
RDAM ECM 2500 VRF21-CA	4100	MMDXV280	0,355	3,10	59	106
RDAM ECM 2500 VRF24-CA	4100	MMDXV280	0,355	3,10	59	106
RDAM ECG 1000 VRF10-CA	2190	MMDXV140	0,213	1,86	61	55
RDAM ECG 1500 VRF13-CA	2920	MMDXV140	0,284	2,48	62	80
RDAM ECG 1500 VRF15-CA	2920	MMDXV140	0,284	2,48	62	80
RDAM ECG 2000 VRF20-CA	4380	MMDXV280	0,426	3,72	63	105
RDAM ECG 2000 VRF24-CA	4380	MMDXV280	0,426	3,72	63	105
RDAM ECG 2500 VRF25-CA	5110	MMDXV280	0,497	4,34	64	114
RDAM ECG 2500 VRF29-CA	5110	MMDXV280	0,497	4,34	64	114

CARRIER VRF Outdoor Units

XPower Mini VRF and XPower VRF 2 pipes (Heat Pump)

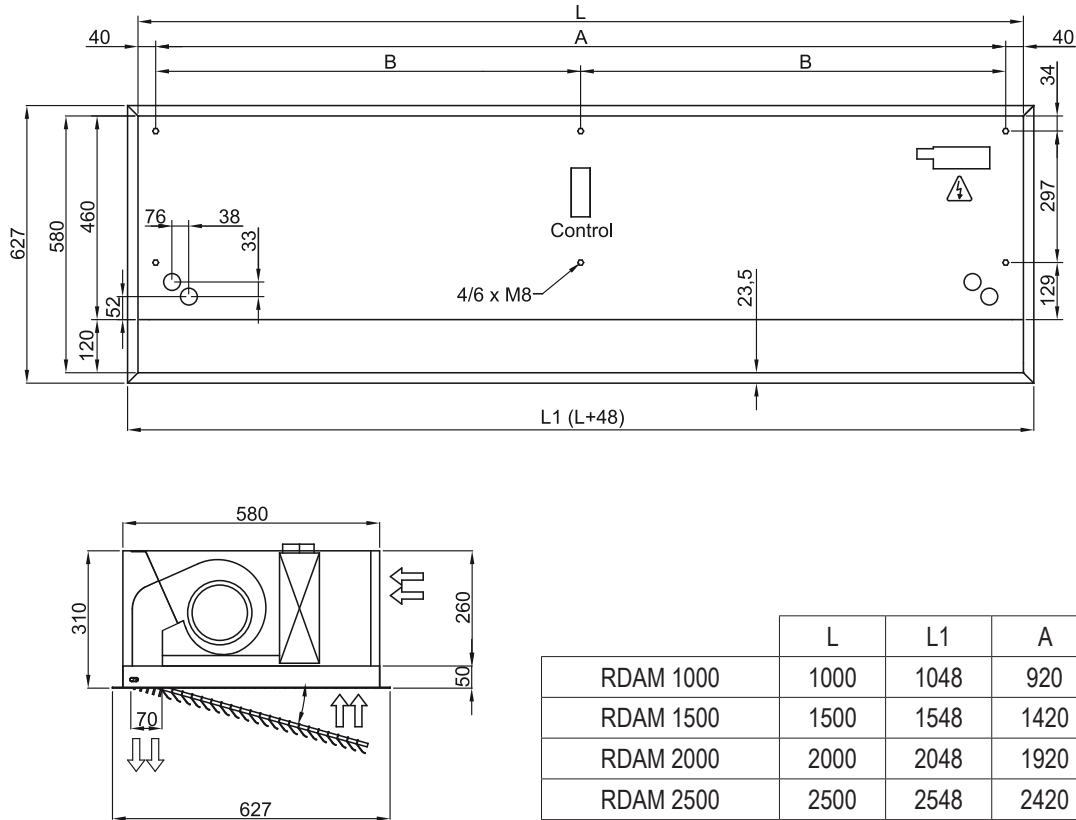
XPower VRF 3 pipes (Heat Recovery)



RECESSED DAM VRF-CA | Heat Pump Energy Saving Air Curtains For CARRIER Outdoor Units (VRF)



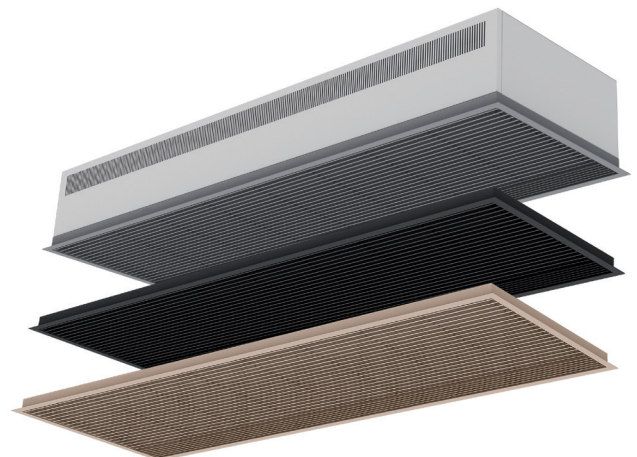
Dimensions



Finishes and details



Detail of exposed inlet grille



Customizable inlet grille in RAL color optionally