

RUND VRF-CA | Heat Pump Energy Saving Air Curtains For CARRIER Outdoor Units (VRF)



Characteristics



- Energy saving heat pump air curtains: Up to 70% reduction in costs and CO₂ emissions (heating mode).
- Decorative rounded air curtain for vertical or horizontal installation.
- Faceted self-supporting casing construction made of galvanized plated steel, finished in structural epoxy-polyester painting white RAL9016 or silver grey RAL9006 as standard. Other colours or stainless steel are available on request.
- Large perforated inlet grille avoiding intensive maintenance.
- Anodized aluminium outlet vanes, airfoil shaped, adjustable from 0 to 15° each side.
- EC Double-inlet centrifugal fans driven by an external rotor motor and low noise level, with very low consumption efficiency fans.
- Includes direct expansion coil with sensors. Optional condensate water pump.
- CS-5DX-NE Plug&Play control with 5 speeds and telephone cable 7m included.
- Requires CARRIER VRF Interface KIT adapted for air curtain, programmable control and expansion valve, please consult.
- Ready to connect to CARRIER VRF outdoor heat pump unit (R410A), not included, the customer should purchase it.

Specifications

Model	Airflow m ³ /h	Carrier Direct Expansion Valve	Power Fan 230V-50Hz kW	Current Fan 230V-50Hz A	Noise Level (5 m) dB(A)	Weight kg
RUND ECG 1000 VRF10-CA	2190	MMDXV140	0,213	1,86	61	52
RUND ECG 1500 VRF13-CA	2920	MMDXV140	0,284	2,48	62	77
RUND ECG 1500 VRF15-CA	2920	MMDXV140	0,284	2,48	62	77
RUND ECG 2000 VRF20-CA	4380	MMDXV280	0,426	3,72	63	100
RUND ECG 2000 VRF24-CA	4380	MMDXV280	0,426	3,72	63	100
RUND ECG 2500 VRF25-CA	5110	MMDXV280	0,497	4,34	64	109
RUND ECG 2500 VRF29-CA	5110	MMDXV280	0,497	4,34	64	109
RUND ECG 3000 VRF29-CA	5840	MMDXV280	0,568	5,96	65	119

CARRIER VRF Outdoor Units

XPower Mini VRF and XPower VRF 2 pipes (Heat Pump)

XPower VRF 3 pipes (Heat Recovery)

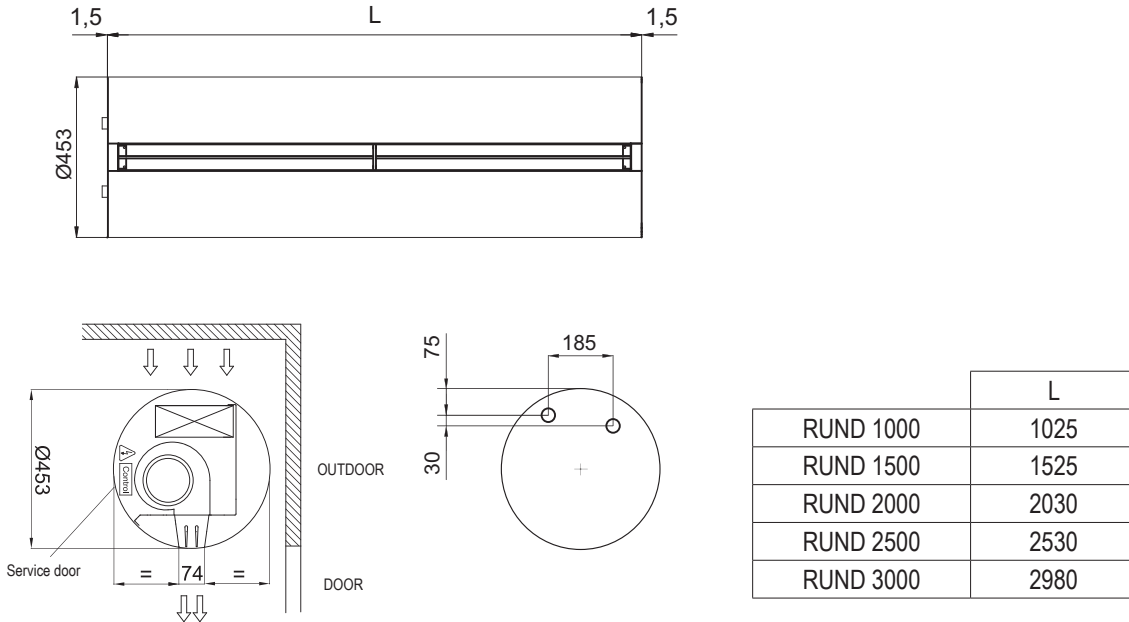


When adverse weather conditions, the outdoor unit capacity can decrease. It is recommendable to oversize the units.

RUND VRF-CA | Heat Pump Energy Saving Air Curtains For CARRIER Outdoor Units (VRF)



Layouts and dimensions



Horizontal installation



Ceiling fixation through threaded rods



Wall/ceiling fixation through arms



Wall/ceiling fixation through angle supports



Wall fixation through lateral arms



Floor fixation (goalpost)