

# SMART VRF-CA | Heat Pump Energy Saving Air Curtains For CARRIER Outdoor Units (VRF)



## Characteristics



- Energy saving heat pump air curtains: Up to 70% reduction in costs and CO<sub>2</sub> emissions (heating mode).
- Stylish, discreet and contemporary design adaptive to any interior architecture.
- Smooth front panel can be customized with logotypes, lighting, lettering or safety and informative signals, according to the client requirements.
- Self-supporting steel rounded casing with edgeless plastic side covers, finished in structural epoxy-polyester painting white colour RAL9016 as standard. Other colours are available on request.
- Hidden top air entrance, avoiding the inside view of the unit and the inlet grille.
- Anodized aluminium outlet vanes, airfoil shaped, adjustable from 0 to 15° each side.
- EC Double-inlet centrifugal fans driven by an external rotor motor and low noise level, with very low consumption efficiency fans.
- Includes direct expansion coil with sensors. Optional condensate water pump.
- CS-5DX-NE Plug&Play control with 5 speeds and telephone cable 7m included.
- Requires CARRIER VRF Interface KIT adapted for air curtain, programmable control and expansion valve, please consult.
- Ready to connect to CARRIER VRF outdoor heat pump unit (R410A), not included, the customer should purchase it.

## Specifications

Model	Airflow m <sup>3</sup> /h	Toshiba Direct Expansion Valve	Power Fan 230V-50Hz kW	Current Fan 230V-50Hz A	Noise Level (5 m) dB(A)	Weight kg
SMART ECM 1500 VRF12-CA	2460	MMDXV140	0,213	1,86	55	58
SMART ECM 2000 VRF16-CA	3280	MMDXV140	0,284	2,48	56	73
SMART ECM 2000 VRF19-CA	3280	MMDXV280	0,284	2,48	56	73
SMART ECM 2500 VRF21-CA	4100	MMDXV280	0,355	3,10	57	79
SMART ECM 2500 VRF24-CA	4100	MMDXV280	0,355	3,10	57	79
SMART ECM 3000 VRF26-CA	4920	MMDXV280	0,426	3,72	58	91
SMART ECG 1000 VRF10-CA	2190	MMDXV140	0,213	1,86	59	44
SMART ECG 1500 VRF13-CA	2920	MMDXV140	0,284	2,48	60	64
SMART ECG 1500 VRF15-CA	2920	MMDXV140	0,284	2,48	60	64
SMART ECG 2000 VRF20-CA	4380	MMDXV280	0,426	3,72	61	83
SMART ECG 2000 VRF24-CA	4380	MMDXV280	0,426	3,72	61	83
SMART ECG 2500 VRF25-CA	5110	MMDXV280	0,497	4,34	62	87
SMART ECG 2500 VRF29-CA	5110	MMDXV280	0,497	4,34	62	87
SMART ECG 3000 VRF29-CA	5840	MMDXV280	0,568	5,96	63	99

### CARRIER VRF Outdoor Units

XPower Mini VRF and XPower VRF 2 pipes (Heat Pump)

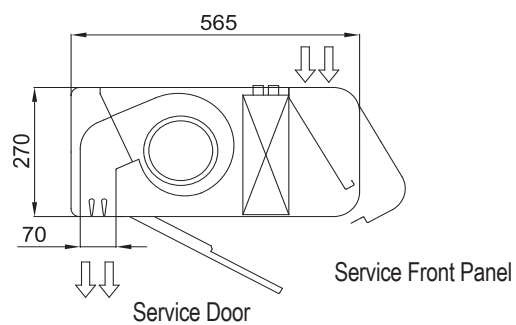
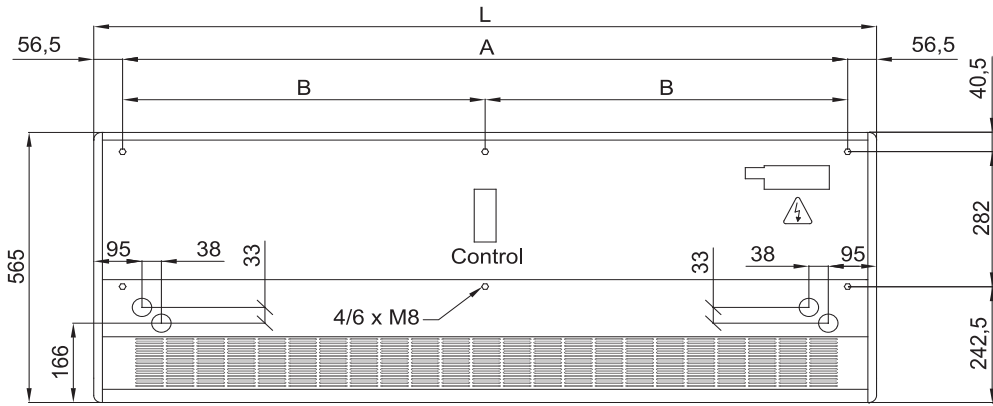
XPower VRF 3 pipes (Heat Recovery)



**SMART VRF-CA | Heat Pump Energy Saving Air Curtains For CARRIER Outdoor Units (VRF)**



**Dimensions**



	L	A	B
SMART 1000	1034	920	-
SMART 1500	1534	1420	710
SMART 2000	2034	1920	960
SMART 2500	2534	2420	1210
SMART 3000	3034	2920	1460

**Finishes and Details**

