

RECESSED WINDBOX VRF-CA | Heat Pump Energy Saving Air Curtains For CARRIER Outdoor Units (VRF)



Characteristics



- Energy saving heat pump air curtains: Up to 70% reduction in costs and CO₂ emissions (heating mode).
- Self-supporting casing construction made of galvanized steel plate, ready to be installed recessed in a false ceiling.
- Inlet grille (free of maintenance) made with aluminium profiles and blow-out nozzle, integrated in a single white frame colour RAL 9016. Other colours are available on request.
- Anodized aluminium outlet vanes, airfoil shaped, adjustable in both directions.
- EC Double-inlet centrifugal fans driven by an external rotor motor and low noise level, with very low consumption efficiency fans.
- Includes direct expansion coil with sensors. Optional condensate water pump.
- CS-5DX-NE Plug&Play control with 5 speeds and telephone cable 7m included.
- Requires CARRIER VRF Interface KIT adapted for air curtain, programmable control and expansion valve, please consult.
- Ready to connect to CARRIER VRF outdoor heat pump unit (R410A), not included, the customer should purchase it.

Specifications

Model	Airflow m ³ /h	Carrier Direct Expansion Valve	Power Fan 230V-50Hz kW	Current Fan 230V-50Hz A	Noise Level (5 m) dB(A)	Weight kg
RECM 1500 VRF12-CA	2460	MMDXV140	0,213	1,86	57	93
RECM 2000 VRF16-CA	3280	MMDXV140	0,284	2,48	58	122
RECM 2000 VRF19-CA	3280	MMDXV280	0,284	2,48	58	122
RECM 2500 VRF21-CA	4100	MMDXV280	0,355	3,10	59	153
RECM 2500 VRF24-CA	4100	MMDXV280	0,355	3,10	59	153
RECG 1000 VRF10-CA	2190	MMDXV140	0,213	1,86	61	67
RECG 1500 VRF13-CA	2920	MMDXV140	0,284	2,48	62	98
RECG 1500 VRF15-CA	2920	MMDXV140	0,284	2,48	62	98
RECG 2000 VRF20-CA	4380	MMDXV280	0,426	3,72	63	131
RECG 2000 VRF24-CA	4380	MMDXV280	0,426	3,72	63	131
RECG 2500 VRF25-CA	5110	MMDXV280	0,497	4,34	64	163
RECG 2500 VRF29-CA	5110	MMDXV280	0,497	4,34	64	163

CARRIER VRF Outdoor Units

XPower Mini VRF and XPower VRF 2 pipes (Heat Pump)

XPower VRF 3 pipes (Heat Recovery)

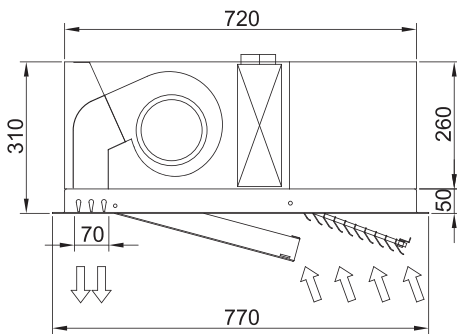
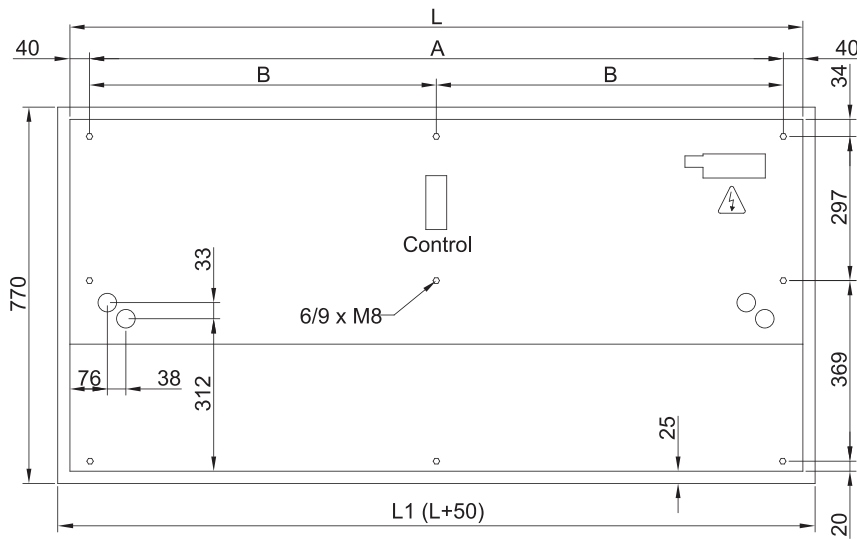


When adverse weather conditions, the outdoor unit capacity can decrease. It is recommendable to oversize the units.

RECESSED WINDBOX VRF-CA | Heat Pump Energy Saving Air Curtains For CARRIER Outdoor Units (VRF)



Dimensions



	L	L1	A	B
RWIN 1000	1000	1050	920	-
RWIN 1500	1500	1550	1420	710
RWIN 2000	2000	2050	1920	960
RWIN 2500	2500	2550	2420	1210

Finishes and details

Designed to be integrated in a false ceiling or in a bulkhead at the entrance of a local



Customizable inlet grille in RAL color optionally