

WINDBOX M,G VRF-CA | Heat Pump Energy Saving Air Curtains For CARRIER Outdoor Units (VRF)



Characteristics



- Energy saving heat pump air curtains: Up to 70% reduction in costs and CO₂ emissions (heating mode).
- Self-supporting casing construction made of galvanized steel plate, finished in structural epoxy-polyester painting white colour RAL9016 as standard. Other colours or stainless steel are available on request.
- Micro-perforated inlet grille with filter functions and easy service. Internal prefilter included.
- Anodized aluminium outlet vanes, airfoil shaped, adjustable from 0 to 15° each side.
- EC Double-inlet centrifugal fans driven by an external rotor motor and low noise level, with very low consumption efficient fans.
- Includes direct expansion coil with sensors. Optional condensate water pump.
- CS-5DX-NE Plug&Play control with 5 speeds and telephone cable 7m included.
- Requires CARRIER VRF Interface KIT adapted for air curtain, programmable control and expansion valve, please consult.
- Ready to connect to CARRIER VRF heat pump unit (R410A), not included, the customer should purchase it.

Specifications

Model	Airflow m ³ /h	Carrier Direct Expansion Valve	Power Fan 230V-50Hz kW	Current Fan 230V-50Hz A	Noise Level (5 m) dB(A)	Weight kg
ECM 1500 VRF12-CA	2460	MMDXV140	0,213	1,86	57	53
ECM 2000 VRF16-CA	3280	MMDXV140	0,284	2,48	58	69
ECM 2000 VRF19-CA	3280	MMDXV280	0,284	2,48	58	69
ECM 2500 VRF21-CA	4100	MMDXV280	0,355	3,10	59	86
ECM 2500 VRF24-CA	4100	MMDXV280	0,355	3,10	59	86
ECM 3000 VRF26-CA	4920	MMDXV280	0,426	3,72	60	103
ECG 1000 VRF10-CA	2190	MMDXV140	0,213	1,86	61	50
ECG 1500 VRF13-CA	2920	MMDXV140	0,284	2,48	62	59
ECG 1500 VRF15-CA	2920	MMDXV140	0,284	2,48	62	59
ECG 2000 VRF20-CA	4380	MMDXV280	0,426	3,72	63	92
ECG 2000 VRF24-CA	4380	MMDXV280	0,426	3,72	63	92
ECG 2500 VRF25-CA	5110	MMDXV280	0,497	4,34	64	96
ECG 2500 VRF29-CA	5110	MMDXV280	0,497	4,34	64	96
ECG 3000 VRF29-CA	5840	MMDXV280	0,568	5,96	65	109

CARRIER VRF Outdoor Units

XPower Mini VRF and XPower VRF 2 pipes (Heat Pump)

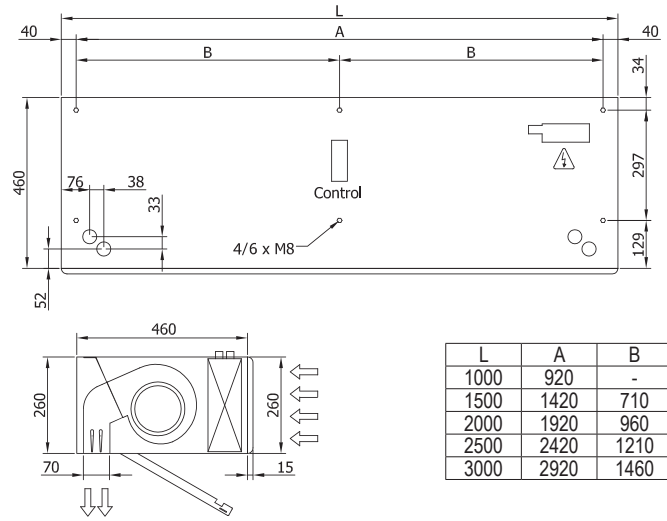
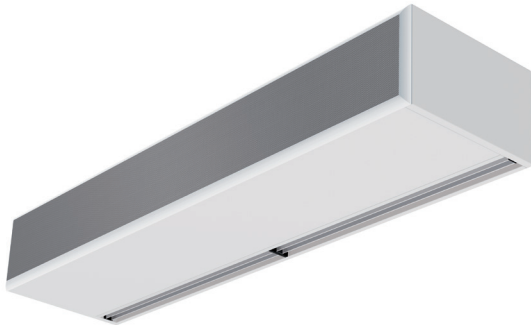
XPower VRF 3 pipes (Heat Recovery)



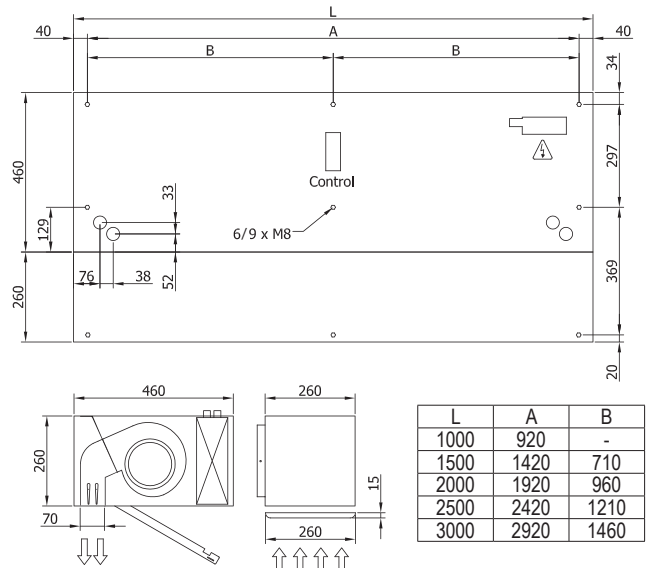
WINDBOX M,G VRF-CA | Heat Pump Energy Saving Air Curtains For CARRIER Outdoor Units (VRF)



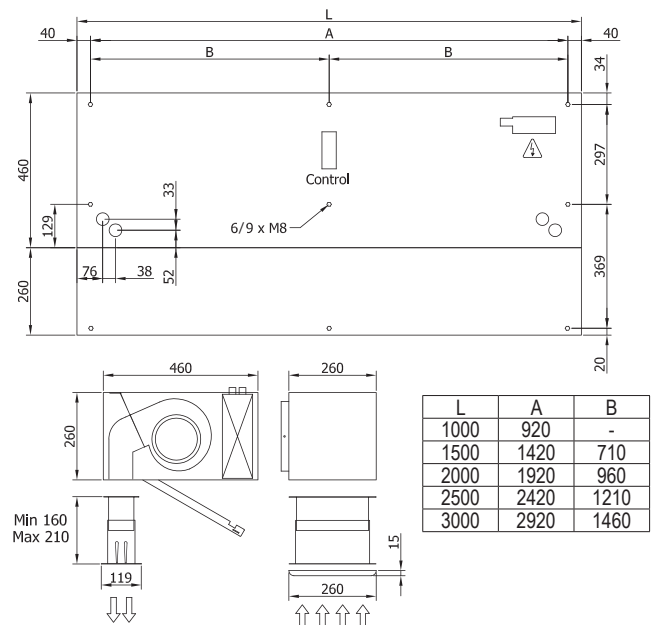
Layouts and dimensions



Free hanging mounting



Inside ceiling surface mounting



False ceiling invisible mounting