

# ROTOWIND DX-LG | Heat Pump Energy Saving Air Curtains For LG Outdoor Units (1:1)



## Characteristics



- Energy saving heat pump air curtains: Up to 70% reduction in costs and CO<sub>2</sub> emissions (heating mode).
- Specially designed to be installed in all type of revolving doors. Two possible layouts, tailored dimensions: standard (on top mounting) or inverted (false ceiling mounting).
- Self-supporting casing construction made of galvanized steel plate, finished in structural epoxy-polyester painting white colour RAL9016 as standard. Other colours or stainless steel are available on request.
- Large perforated inlet grille avoiding intensive maintenance.
- Circular anodized aluminium outlet vanes, airfoil shaped.
- EC Double-inlet centrifugal fans driven by an external rotor motor and low noise level, with very low consumption efficiency fans.
- Includes direct expansion coil with sensors. Optional condensate water pump.
- CS-5DX-NE Plug&Play control with 5 speeds and telephone cable 7m included.
- Requires LG DX Interface KIT adapted for air curtain and programmable control, please consult.
- Ready to connect to LG Inverter outdoor heat pump unit (R410A / R32) with expansion valve, not included, the customer should purchase it.

## Specifications

Model	Airflow m <sup>3</sup> /h	Outdoor Unit (*) 230Vx1	Outdoor Unit (*) 400Vx3	Power Fan 230V-50Hz kW	Current Fan 230V-50Hz A	Noise Level (5 m) dB(A)	Weight kg
ROTO ECG 1000 DX9-LG	2190	UU30W U44	-	0,213	1,86	61	-
ROTO ECG 1500 DX15-LG	2920	UU48W U32	UU49W U32	0,284	2,48	62	-
ROTO ECG 2000 DX22-LG	4380	-	UU70W U34	0,426	3,72	63	-
ROTO ECG 2500 DX22-LG	5110	-	UU70W U34	0,497	4,34	64	-
ROTO ECG 2500 DX27-LG	5110	-	UU85W U74	0,497	4,34	64	-

(\*) Includes direct expansion valve.

LG Inverter Outdoor Units R410A (*)	Heating Capacity kW	Heating Power kW	SCOP or COP	Cooling Capacity kW	Cooling Power kW	SEER or EER	Power Supply	Pipes Gas Liquid inch	Pipes Minimum Length m	Pipes Maximum Length m	Pipes Maximum Height m
UU30W U44	9,0	2,62	4,00	7,8	2,41	6,10	230Vx1	5/8 3/8	5	50	30
UU48W U32	15,4	4,39	3,50	14,0	4,10	3,41	230Vx1	5/8 3/8	5	75	30
UU49W U32	15,4	4,39	3,50	14,0	4,10	3,41	400Vx3	5/8 3/8	5	75	30
UU70W U34	22,4	6,40	3,50	19,0	6,69	2,84	400Vx3	1 3/8	5	75	30
UU85W U74	27,0	8,31	3,25	23,0	8,19	2,81	400Vx3	7/8 1/2	5	75	30

Energy efficiency: SCOP/SEER seasonal ≤12kW, COP/EER >12kW.

Outdoor unit capacities depending on standard conditions: heating 20°CDB indoor / 7°CDB and 6°CWB outdoor, cooling 27°CDB and 19°CWB indoor / 35°CDB outdoor.

When adverse weather conditions, the outdoor unit capacity can decrease. It is recommendable to oversize the units.

(\*) Also compatible with outdoor units with R32 gas: UU30WR U40, UU36/37/48/49/60/61 WR U30

## ROTOWIND VRF-LG | Heat Pump Energy Saving Air Curtains For LG Outdoor Units (VRF)



### Characteristics



- Energy saving heat pump air curtains: Up to 70% reduction in costs and CO<sub>2</sub> emissions (heating mode).
- Specially designed to be installed in all type of revolving doors. Two possible layouts, tailored dimensions: standard (on top mounting) or inverted (false ceiling mounting).
- Self-supporting casing construction made of galvanized steel plate, finished in structural epoxy-polyester painting white colour RAL9016 as standard. Other colours or stainless steel are available on request.
- Large perforated inlet grille avoiding intensive maintenance.
- Circular anodized aluminium outlet vanes, airfoil shaped.
- EC Double-inlet centrifugal fans driven by an external rotor motor and low noise level, with very low consumption efficiency fans.
- Includes direct expansion coil with sensors. Optional condensate water pump.
- CS-5DX-NE Plug&Play control with 5 speeds and telephone cable 7m included.
- Requires LG VRF Interface KIT adapted for air curtain and programmable control, please consult.
- Ready to connect to LG VRF outdoor heat pump unit (R410A) and expansion valve not included, the customer should purchase it.

### Specifications

Model	Airflow m <sup>3</sup> /h	LG Direct Expansion Valve	Power Fan 230V-50Hz kW	Current Fan 230V-50Hz A	Noise Level (5 m) dB(A)	Weight kg
ROTO ECG 1000 VRF10-LG	2190	PRLK048A0	0,213	1,86	61	-
ROTO ECG 1500 VRF15-LG	2920	PRLK048A0	0,284	2,48	62	-
ROTO ECG 2000 VRF24-LG	4380	PRLK048A0	0,426	3,72	63	-
ROTO ECG 2500 VRF25-LG	5110	PRLK048A0	0,497	4,34	64	-
ROTO ECG 2500 VRF29-LG	5110	PRLK048A0	0,497	4,34	64	-

#### LG VRF Outdoor Units (Heat Pump or Heat Recovery depending on Tonnage)

Multi V S



Multi V 5



Multi V IV



When adverse weather conditions, the outdoor unit capacity can decrease. It is recommendable to oversize the units.

**ROTOWIND DX/VRF-LG | Heat Pump Energy Saving Air Curtains For LG Outdoor Units (1:1/VRF)**

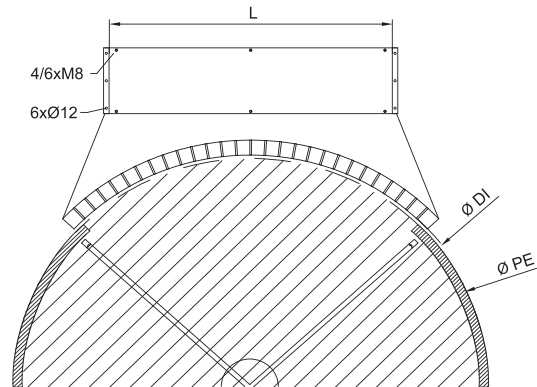
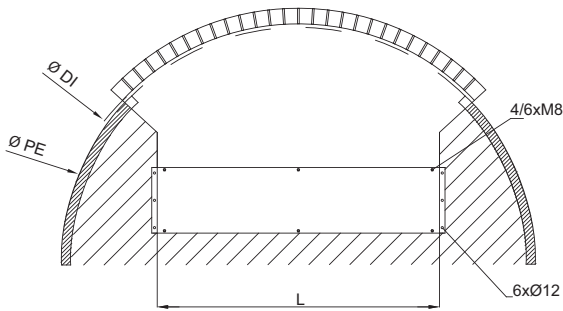
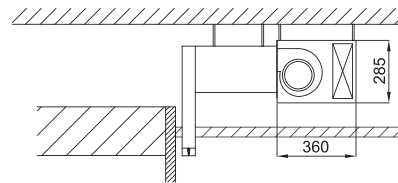
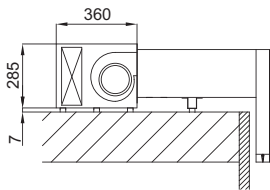
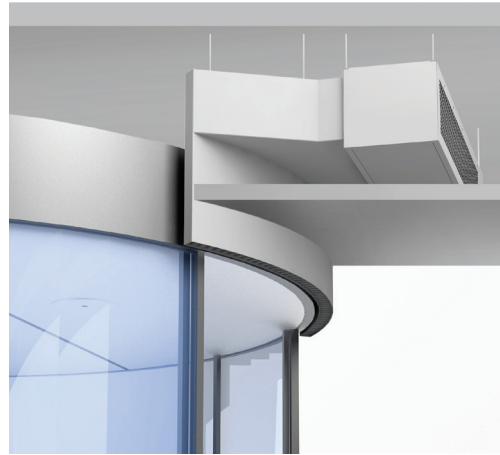


**Layouts and dimensions**

Rotowind air curtains are tailor-made for any kind of revolving door according to the following layouts:

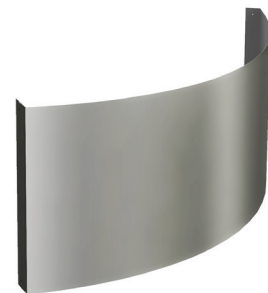
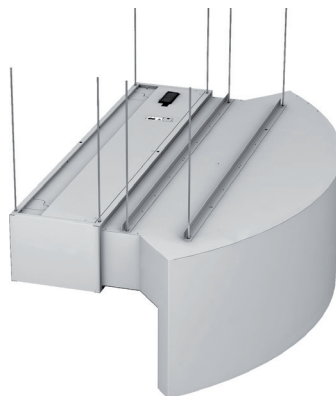
Standard: On top mounting

Inverted: False ceiling mounting



Fixation system

Optional decorative front cover



Fixed onto the door

Hanging from the ceiling

RAL 9016 (standard), optional:

- Colour from RAL palette
- Stainless steel AISI 304