

RUND DX-LG | Heat Pump Energy Saving Air Curtains For LG Outdoor Units (1:1)



Characteristics



- Energy saving heat pump air curtains: Up to 70% reduction in costs and CO₂ emissions (heating mode).
- Decorative rounded air curtain for vertical or horizontal installation.
- Faceted self-supporting casing construction made of galvanized plated steel, finished in structural epoxy-polyester painting white RAL9016 or silver grey RAL9006 as standard. Other colours or stainless steel are available on request.
- Large perforated inlet grille avoiding intensive maintenance.
- Anodized aluminium outlet vanes, airfoil shaped, adjustable from 0 to 15° each side.
- EC Double-inlet centrifugal fans driven by an external rotor motor and low noise level, with very low consumption efficiency fans.
- Includes direct expansion coil with sensors. Optional condensate water pump.
- CS-5DX-NE Plug&Play control with 5 speeds and telephone cable 7m included.
- Requires LG DX Interface KIT adapted for air curtain and programmable control, please consult.
- Ready to connect to LG Inverter outdoor heat pump unit (R410A / R32) with expansion valve, not included, the customer should purchase it.

Specifications

Model	Airflow m ³ /h	Outdoor Unit (*)		Power Fan	Current Fan	Noise Level	Weight
		230Vx1	400Vx3	230V-50Hz kW	230V-50Hz A	(5 m) dB(A)	
RUND ECG 1000 DX9-LG	2190	UU30W U44	-	0,213	1,86	61	52
RUND ECG 1500 DX15-LG	2920	UU48W U32	UU49W U32	0,284	2,48	62	77
RUND ECG 2000 DX22-LG	4380	-	UU70W U34	0,426	3,72	63	100
RUND ECG 2500 DX22-LG	5110	-	UU70W U34	0,497	4,34	64	109
RUND ECG 2500 DX27-LG	5110	-	UU85W U74	0,497	4,34	64	109
RUND ECG 3000 DX27-LG	5840	-	UU85W U74	0,568	5,96	65	119

(*) Includes direct expansion valve.

LG Inverter Outdoor Units	Heating Capacity	Heating Power	SCOP or COP	Cooling Capacity	Cooling Power	SEER or EER	Power Supply	Pipes		Pipes Minimum Length	Pipes Maximum Length	Pipes Maximum Height
								Gas	Liquid			
R410A (*)	kW	kW		kW	kW			inch		m	m	m
UU30W U44	9,0	2,62	4,00	7,8	2,41	6,10	230Vx1	5/8	3/8	5	50	30
UU48W U32	15,4	4,39	3,50	14,0	4,10	3,41	230Vx1	5/8	3/8	5	75	30
UU49W U32	15,4	4,39	3,50	14,0	4,10	3,41	400Vx3	5/8	3/8	5	75	30
UU70W U34	22,4	6,40	3,50	19,0	6,69	2,84	400Vx3	1	3/8	5	75	30
UU85W U74	27,0	8,31	3,25	23,0	8,19	2,81	400Vx3	7/8	1/2	5	75	30

Energy efficiency: SCOP/SEER seasonal ≤12kW, COP/EER >12kW.

Outdoor unit capacities depending on standard conditions: heating 20°CDB indoor / 7°CDB and 6°CWB outdoor, cooling 27°CDB and 19°CWB indoor / 35°CDB outdoor.

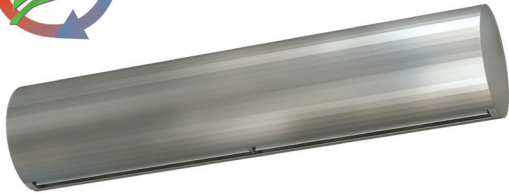
When adverse weather conditions, the outdoor unit capacity can decrease. It is recommendable to oversize the units.

(*) Also compatible with outdoor units with R32 gas: UU30WR U40, UU36/37/48/49/60/61 WR U30

RUND VRF-LG | Heat Pump Energy Saving Air Curtains For LG Outdoor Units (VRF)



Characteristics



- Energy saving heat pump air curtains: Up to 70% reduction in costs and CO₂ emissions (heating mode).
- Decorative rounded air curtain for vertical or horizontal installation.
- Faceted self-supporting casing construction made of galvanized plated steel, finished in structural epoxy-polyester painting white RAL9016 or silver grey RAL9006 as standard. Other colours or stainless steel are available on request.
- Large perforated inlet grille avoiding intensive maintenance.
- Anodized aluminium outlet vanes, airfoil shaped, adjustable from 0 to 15° each side.
- EC Double-inlet centrifugal fans driven by an external rotor motor and low noise level, with very low consumption efficiency fans.
- Includes direct expansion coil with sensors. Optional condensate water pump.
- CS-5DX-NE Plug&Play control with 5 speeds and telephone cable 7m included.
- Requires LG VRF Interface KIT adapted for air curtain and programmable control, please consult.
- Ready to connect to LG VRF outdoor heat pump unit (R410A) and expansion valve not included, the customer should purchase it.

Specifications

Model	Airflow m ³ /h	LG Direct Expansion Valve	Power Fan 230V-50Hz kW	Current Fan 230V-50Hz A	Noise Level (5 m) dB(A)	Weight kg
RUND ECG 1000 VRF10-LG	2190	PRLK048A0	0,213	1,86	61	52
RUND ECG 1500 VRF15-LG	2920	PRLK048A0	0,284	2,48	62	77
RUND ECG 2000 VRF24-LG	4380	PRLK048A0	0,426	3,72	63	100
RUND ECG 2500 VRF25-LG	5110	PRLK048A0	0,497	4,34	64	109
RUND ECG 2500 VRF29-LG	5110	PRLK048A0	0,497	4,34	64	109
RUND ECG 3000 VRF29-LG	5840	PRLK048A0	0,568	5,96	65	119
RUND ECG 3000 VRF34-LG	5840	PRLK96A0	0,568	5,96	65	119

LG VRF Outdoor Units (Heat Pump or Heat Recovery depending on Tonnage)

Multi V S

Multi V 5

Multi V IV

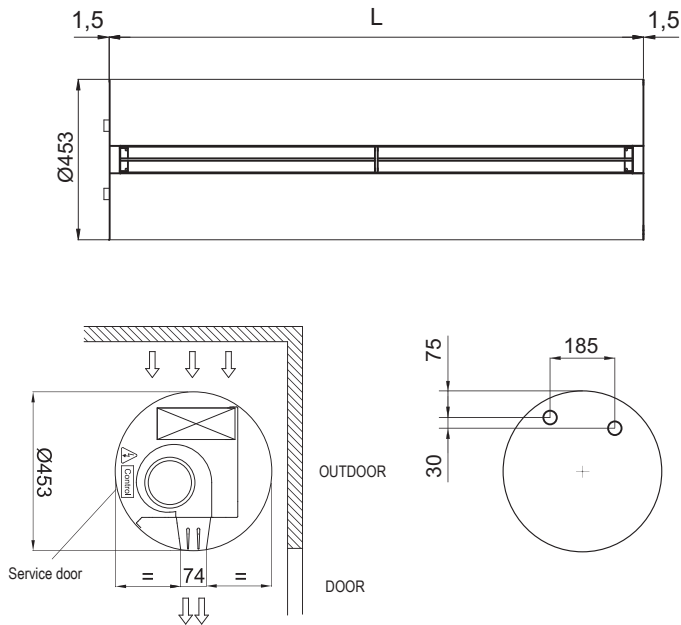


When adverse weather conditions, the outdoor unit capacity can decrease. It is recommendable to oversize the units.

RUND DX/VRF-LG | Heat Pump Energy Saving Air Curtains For LG Outdoor Units (1:1/VRF)



Layouts and dimensions



	L
RUND 1000	1025
RUND 1500	1525
RUND 2000	2030
RUND 2500	2530
RUND 3000	2980

Horizontal installation



Ceiling fixation through threaded rods



Wall/ceiling fixation through arms



Wall/ceiling fixation through angle supports



Wall fixation through lateral arms



Floor fixation (goalpost)