

## RECESSED WINDBOX DX-TO | Heat Pump Energy Saving Air Curtains For TOSHIBA Outdoor Units (1:1)



### Characteristics



- Energy saving heat pump air curtains: Up to 70% reduction in costs and CO<sub>2</sub> emissions (heating mode).
- Self-supporting casing construction made of galvanized steel plate, ready to be installed recessed in a false ceiling.
- Inlet grille (free of maintenance) made with aluminium profiles and blow-out nozzle, integrated in a single white frame colour RAL 9016. Other colours are available on request.
- Anodized aluminium outlet vanes, airfoil shaped, adjustable in both directions.
- EC Double-inlet centrifugal fans driven by an external rotor motor and low noise level, with very low consumption efficient fans.
- Includes direct expansion coil with sensors. Optional condensate water pump.
- CS-5DX-NE Plug&Play control with 5 speeds and telephone cable 7m included.
- Requires TOSHIBA DX Interface KIT adapted for air curtain and programmable control, please consult.
- Ready to connect to TOSHIBA Inverter outdoor heat pump unit (R410A / R32) with expansion valve, not included, the customer should purchase it.

### Specifications

Model	Airflow m <sup>3</sup> /h	Outdoor Unit (*)		Power Fan	Current Fan	Noise Level (5 m)	Weight kg
		230Vx1	400Vx3	230V-50Hz kW	230V-50Hz A	dB(A)	
RECM 1500 DX11-TO	2460	RAV-SM1104ATP-E	RAV-SP1104AT8-E	0,213	1,86	57	93
RECM 2000 DX16-TO	3280	RAV-SM1603AT-E	RAV-SP1604AT8-E	0,284	2,48	58	122
RECM 2000 DX19-TO	3280	-	RAV-SM2244AT8-E	0,284	2,48	58	122
RECM 2500 DX21-TO	4100	-	RAV-SM2244AT8-E	0,355	3,10	59	153
RECM 2500 DX24-TO	4100	-	RAV-SM2804AT8-E	0,355	3,10	59	153
RECG 1000 DX10-TO	2190	RAV-SM1104ATP-E	RAV-SP1104AT8-E	0,213	1,86	61	67
RECG 1500 DX13-TO	2920	RAV SM1404ATP-E	RAV SP1404AT8-E	0,284	2,48	62	98
RECG 1500 DX15-TO	2920	RAV-SM1603AT-E	RAV-SP1604AT8-E	0,284	2,48	62	98
RECG 2000 DX22-TO	4380	-	RAV-SM2244AT8-E	0,426	3,72	63	131
RECG 2000 DX24-TO	4380	-	RAV-SM2804AT8-E	0,426	3,72	63	131
RECG 2500 DX22-TO	5110	-	RAV-SM2244AT8-E	0,497	4,34	64	163
RECG 2500 DX27-TO	5110	-	RAV-SM2804AT8-E	0,497	4,34	64	163

(\*) Includes direct expansion valve.

TOSHIBA Inverter Outdoor Units R410A (*)	Heating Capacity kW	Heating Power kW	SCOP or COP	Cooling Capacity kW	Cooling Power kW	SEER or EER	Power Supply	Pipes		Pipes Minimum Length m	Pipes Maximum Length m	Pipes Maximum Height m
								Gas	Liquid			
RAV-SM1104ATP-E	11,2	2,93	3,54	10,0	3,11	5,58	230Vx1	5/8	3/8	5	50	30
RAV-SP1104AT8-E	11,2	2,42	4,28	10,0	2,37	6,57	400Vx3	5/8	3/8	3	75	30
RAV SM1404ATP-E	14,0	3,80	3,68	12,0	3,74	3,21	230Vx1	5/8	3/8	5	50	30
RAV SP1404AT8-E	14,0	3,42	4,09	12,5	3,46	3,61	400Vx3	5/8	3/8	3	75	30
RAV-SM1603AT-E	16,0	4,43	3,61	14,0	4,49	3,12	230Vx1	5/8	3/8	5	50	30
RAV-SP1604AT8-E	16,0	4,30	3,72	14,0	4,49	3,12	400Vx3	5/8	3/8	3	75	30
RAV-SM2244AT8-E	22,4	6,49	3,45	20,0	7,20	2,78	400Vx3	1"1/8	1/2"	7,5	70	30
RAV-SM2804AT8-E	27,0	8,15	3,31	23,0	8,75	2,63	400Vx3	1"1/8	1/2"	7,5	70	30

Energy efficiency: SCOP/SEER seasonal ≤12kW, COP/EER >12kW.

Outdoor unit capacities depending on standard conditions: heating 20°CDB indoor / 7°CDB and 6°CWB outdoor, cooling 27°CDB and 19°CWB indoor / 35°CDB outdoor.

When adverse weather conditions, the outdoor unit capacity can decrease. It is recommendable to oversize the units.

(\*) Also compatible with outdoor units with R32 gas: RAV-GM1101ATJP-E, RAV-GM1101AT8JP-E, RAV-GM1401ATJP-E, RAV-GM1401AT8JP-E

## RECESSED WINDBOX VRF-TO | Heat Pump Energy Saving Air Curtains For TOSHIBA Outdoor Units (VRF)



### Characteristics



- Energy saving heat pump air curtains: Up to 70% reduction in costs and CO<sub>2</sub> emissions (heating mode).
- Self-supporting casing construction made of galvanized steel plate, ready to be installed recessed in a false ceiling.
- Inlet grille (free of maintenance) made with aluminium profiles and blow-out nozzle, integrated in a single white frame colour RAL 9016. Other colours are available on request.
- Anodized aluminium outlet vanes, airfoil shaped, adjustable in both directions.
- EC Double-inlet centrifugal fans driven by an external rotor motor and low noise level, with very low consumption efficiency fans.
- Includes direct expansion coil with sensors. Optional condensate water pump.
- CS-5DX-NE Plug&Play control with 5 speeds and telephone cable 7m included.
- Requires TOSHIBA VRF Interface KIT adapted for air curtain, programmable control and expansion valve, please consult.
- Ready to connect to TOSHIBA VRF outdoor heat pump unit (R410A), not included, the customer should purchase it.

### Specifications

Model	Airflow m <sup>3</sup> /h	Toshiba Direct Expansion Valve	Power Fan 230V-50Hz kW	Current Fan 230V-50Hz A	Noise Level (5 m) dB(A)	Weight kg
RECM 1500 VRF12-TO	2460	MMDXV140	0,213	1,86	57	93
RECM 2000 VRF16-TO	3280	MMDXV140	0,284	2,48	58	122
RECM 2000 VRF19-TO	3280	MMDXV280	0,284	2,48	58	122
RECM 2500 VRF21-TO	4100	MMDXV280	0,355	3,10	59	153
RECM 2500 VRF24-TO	4100	MMDXV280	0,355	3,10	59	153
RECG 1000 VRF10-TO	2190	MMDXV140	0,213	1,86	61	67
RECG 1500 VRF13-TO	2920	MMDXV140	0,284	2,48	62	98
RECG 1500 VRF15-TO	2920	MMDXV140	0,284	2,48	62	98
RECG 2000 VRF20-TO	4380	MMDXV280	0,426	3,72	63	131
RECG 2000 VRF24-TO	4380	MMDXV280	0,426	3,72	63	131
RECG 2500 VRF25-TO	5110	MMDXV280	0,497	4,34	64	163
RECG 2500 VRF29-TO	5110	MMDXV280	0,497	4,34	64	163

### TOSHIBA VRF Outdoor Units

Mini, Mini SMMSe, SMMSe (Heat Pump)

SHRMe (Heat Recovery)

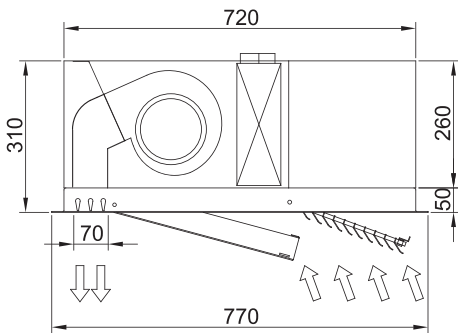
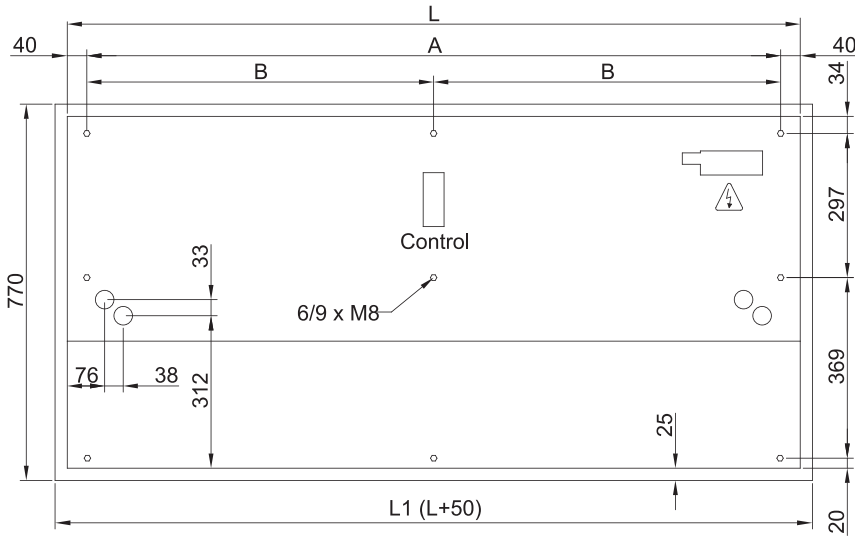


When adverse weather conditions, the outdoor unit capacity can decrease. It is recommendable to oversize the units.

**RECESSED WINDBOX DX/VRF-TO | Heat Pump Energy Saving Air Curtains For TOSHIBA Outdoor Units (1:1/VRF)**



**Dimensions**



	L	L1	A	B
RWIN 1000	1000	1050	920	-
RWIN 1500	1500	1550	1420	710
RWIN 2000	2000	2050	1920	960
RWIN 2500	2500	2550	2420	1210

**Finishes and details**

Designed to be integrated in a false ceiling  
or in a bulkhead at the entrance of a local



Customizable inlet grille in RAL color optionally