

RUND DX-ME | Heat Pump Energy Saving Air Curtains For MITSUBISHI ELECTRIC Outdoor Units (1:1)



Characteristics



- Energy saving heat pump air curtains: Up to 70% reduction in costs and CO₂ emissions (heating mode).
- Decorative rounded air curtain for vertical or horizontal installation.
- Faceted self-supporting casing construction made of galvanized plated steel, finished in structural epoxy-polyester painting white RAL9016 or silver grey RAL9006 as standard. Other colours or stainless steel are available on request.
- Large perforated inlet grille avoiding intensive maintenance.
- Anodized aluminium outlet vanes, airfoil shaped, adjustable from 0 to 15° each side.
- EC Double-inlet centrifugal fans driven by an external rotor motor and low noise level, with very low consumption efficient fans.
- Includes direct expansion coil with sensors. Optional condensate water pump.
- CS-5DX-NE Plug&Play control with 5 speeds and telephone cable 7m included.
- Requires MITSUBISHI ELECTRIC DX Interface KIT adapted for air curtain and programmable control, please consult.
- Ready to connect to MITSUBISHI ELECTRIC Power Inverter outdoor heat pump unit (R32 / R410A) with expansion valve, not included, the customer should purchase it.

Specifications

| Model | Airflow m ³ /h | Outdoor Unit (*) | | Power Fans | Current Fans | Noise Level | Weight kg |
|-----------------------|------------------------------|------------------|----------------|-----------------|-----------------|----------------|--------------|
| | | 230Vx1 | 400Vx3 | 230V-50Hz kW | 230V-50Hz A | (5 m) dB(A) | |
| RUND ECG 1000 DX10-ME | 2190 | PHZ-ZM100VKA | PUZ-ZM100YKA | 0,213 | 1,86 | 61 | 52 |
| RUND ECG 1500 DX14-ME | 2920 | PUZ-ZM125VKA | PUZ-ZM125YKA | 0,284 | 2,48 | 62 | 77 |
| RUND ECG 2000 DX22-ME | 4380 | - | PUHZ-ZRP200YKA | 0,426 | 3,72 | 63 | 100 |
| RUND ECG 2000 DX24-ME | 4380 | - | PUHZ-ZRP250YKA | 0,426 | 3,72 | 63 | 100 |
| RUND ECG 2500 DX27-ME | 5110 | - | PUHZ-ZRP250YKA | 0,497 | 4,34 | 64 | 109 |
| RUND ECG 3000 DX27-ME | 5840 | - | PUHZ-ZRP250YKA | 0,568 | 5,96 | 65 | 119 |

(*) Includes direct expansion valve. ZM units with gas R32 and ZRP with gas R410A.

Also compatible with Standard Inverter units PUHZ-P200YKA and PUHZ-P250YKA (R410A) and Zubadan range.

| MITSUBISHI Power Inverter (*) Outdoor Units | Heating Capacity | Heating Power | SCOP or COP | Cooling Capacity | Cooling Power | SEER or EER | Power Supply | Pipes Gas Liquid | Pipes Minimum Length | Pipes Maximum Length | Pipes Maximum Height |
|---|---------------------|------------------|----------------|---------------------|------------------|----------------|-----------------|---------------------|----------------------------|----------------------------|----------------------------|
| ZM (R32) / ZRP (R410A) | kW | kW | | kW | kW | | | inch | m | m | m |
| PUZ-ZM100VKA | 11,2 | 2,60 | 4,10 | 9,5 | 2,27 | 6,20 | 230Vx1 | 5/8 3/8 | - | 100 | 30 |
| PUZ-ZM100YKA | 11,2 | 2,60 | 4,10 | 9,5 | 2,27 | 6,10 | 400Vx3 | 5/8 3/8 | - | 100 | 30 |
| PUZ-ZM125VKA | 14,0 | 3,35 | 3,90 | 12,5 | 3,33 | 6,00 | 230Vx1 | 5/8 3/8 | - | 100 | 30 |
| PUZ-ZM125YKA | 14,0 | 3,35 | 3,90 | 12,5 | 3,33 | 5,90 | 400Vx3 | 5/8 3/8 | - | 100 | 30 |
| PUHZ-ZRP200YKA | 22,4 | 6,94 | 3,23 | 19,0 | 6,46 | 2,94 | 400Vx3 | 1 3/8 | - | 100 | 30 |
| PUHZ-ZRP250YKA | 27,0 | 8,94 | 3,75 | 22,0 | 8,31 | 2,65 | 400Vx3 | 1 1/2 | - | 100 | 30 |

(*) Also compatible with Standard Inverter units PUHZ-P200YKA and PUHZ-P250YKA (R410A) and Zubadan range.

Energy efficiency: SCOP/SEER seasonal ≤12kW, COP/EER >12kW.

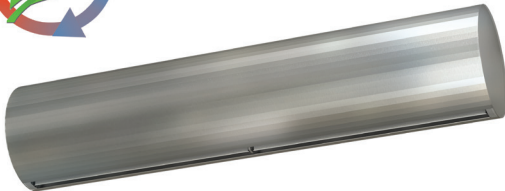
Outdoor unit capacities depending on standard conditions: heating 20°CDB indoor / 7°CDB and 6°CWB outdoor, cooling 27°CDB and 19°CWB indoor / 35°CDB outdoor.

When adverse weather conditions, the outdoor unit capacity can decrease. It is recommendable to oversize the units.

RUND VRF-ME | Heat Pump Energy Saving Air Curtains For MITSUBISHI ELECTRIC Outdoor Units (VRF)



Characteristics



- Energy saving heat pump air curtains: Up to 70% reduction in costs and CO₂ emissions (heating mode).
- Decorative rounded air curtain for vertical or horizontal installation.
- Faceted self-supporting casing construction made of galvanized plated steel, finished in structural epoxy-polyester painting white RAL9016 or silver grey RAL9006 as standard. Other colours or stainless steel are available on request.
- Large perforated inlet grille avoiding intensive maintenance.
- Anodized aluminium outlet vanes, airfoil shaped, adjustable from 0 to 15° each side.
- EC Double-inlet centrifugal fans driven by an external rotor motor and low noise level, with very low consumption efficient fans.
- Includes direct expansion coil with sensors. Optional condensate water pump.
- CS-5DX-NE Plug&Play control with 5 speeds and telephone cable 7m included.
- Requires MITSUBISHI ELECTRIC VRF Interface KIT adapted for air curtain with expansion valve and programmable control, please consult.
- Ready to connect to MITSUBISHI ELECTRIC VRF outdoor heat pump unit (R410A), not included, the customer should purchase it.

Specifications

| Model | Airflow m ³ /h | Power Fans 230V-50Hz kW | Current Fans 230V-50Hz A | Noise Level (5 m) dB(A) | Weight kg | Mitsubishi Electric Kit Interface VRF (*) |
|------------------------|------------------------------|-------------------------------|--------------------------------|-------------------------------|--------------|---|
| RUND ECG 1000 VRF10-ME | 2190 | 0,213 | 1,86 | 61 | 52 | PAC-AH125M-J |
| RUND ECG 1500 VRF13-ME | 2920 | 0,284 | 2,48 | 62 | 77 | PAC-AH125M-J |
| RUND ECG 1500 VRF15-ME | 2920 | 0,284 | 2,48 | 62 | 77 | PAC-AH125M-J |
| RUND ECG 2000 VRF20-ME | 4380 | 0,426 | 3,72 | 63 | 100 | PAC-AH250M-J |
| RUND ECG 2000 VRF24-ME | 4380 | 0,426 | 3,72 | 63 | 100 | PAC-AH250M-J |
| RUND ECG 2500 VRF25-ME | 5110 | 0,497 | 4,34 | 64 | 109 | PAC-AH250M-J |
| RUND ECG 2500 VRF29-ME | 5110 | 0,497 | 4,34 | 64 | 109 | PAC-AH250M-J |
| RUND ECG 3000 VRF29-ME | 5840 | 0,568 | 5,96 | 65 | 119 | PAC-AH250M-J |

(*) Includes direct expansion valve.

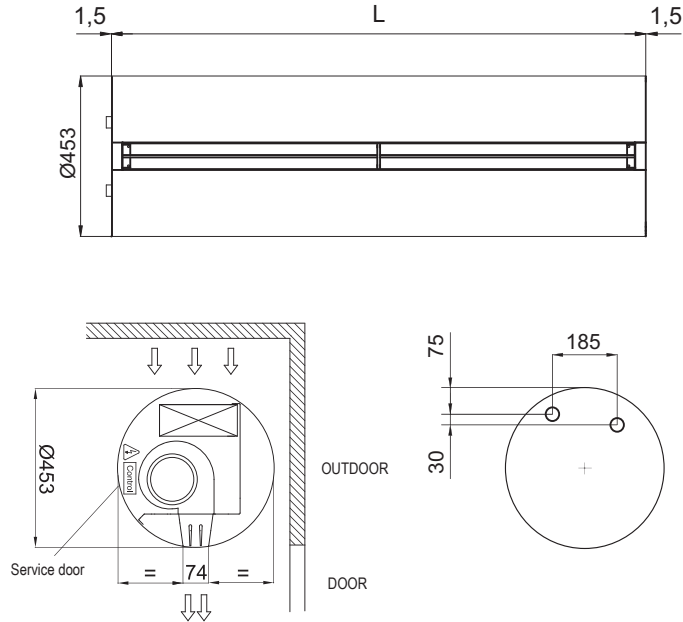
| MITSUBISHI ELECTRIC VRF compatible Outdoor Units | |
|--|--------------------|
| Range | Series |
| City Multi | S/Y (Heat Pump) |
| City Multi | R2 (Heat Recovery) |

When adverse weather conditions, the outdoor unit capacity can decrease. It is recommendable to oversize the units.

RUND DX/VRF-ME | Heat Pump Energy Saving Air Curtains For MITSUBISHI ELECTRIC Outdoor Units (1:1/VRF)



Layouts and dimensions



| | L |
|-----------|------|
| RUND 1000 | 1025 |
| RUND 1500 | 1525 |
| RUND 2000 | 2030 |
| RUND 2500 | 2530 |
| RUND 3000 | 2980 |

Horizontal installation



Ceiling fixation through threaded rods



Wall/ceiling fixation through arms



Wall/ceiling fixation through angle supports



Wall fixation through lateral arms



Floor fixation (goalpost)