

ZEN DX-ME | Heat Pump Energy Saving Air Curtains For MITSUBISHI ELECTRIC Outdoor Units (1:1)



Characteristics



- Energy saving heat pump air curtains: Up to 70% reduction in costs and CO₂ emissions (heating mode).
- Decorative air curtain in contemporary architectural style. Its minimalist and smart design integrates in any environment and offers infinite options to customize.
- Can include personalized logotypes, signs or graphic designs. It can even incorporate clocks or lighting.
- Front anodized aluminium panels. Optionally manufactured in brushed or mirror polished stainless steel. Other materials are possible, such as wood, metal, etc.
- Central structure made of galvanized steel finished in black forge as standard. Other colours are available on request.
- Anodized aluminium outlet vanes, airfoil shaped, adjustable in both directions.
- EC Double-inlet centrifugal fans driven by an external rotor motor and low noise level, with very low consumption efficient fans.
- Includes direct expansion coil with sensors. Optional condensate water pump.
- CS-5DX-NE Plug&Play control with 5 speeds and telephone cable 7m included.
- Requires MITSUBISHI ELECTRIC DX Interface KIT adapted for air curtain and programmable control, please consult.
- Ready to connect to MITSUBISHI ELECTRIC Power Inverter outdoor heat pump unit (R32 / R410A) with expansion valve, not included, the customer should purchase it.

Specifications

| Model | Airflow m ³ /h | Outdoor Unit (*) | | Power Fans | Current Fans | Noise Level | Weight kg |
|----------------------|------------------------------|------------------|----------------|-----------------|-----------------|----------------|--------------|
| | | 230Vx1 | 400Vx3 | 230V-50Hz kW | 230V-50Hz A | (5 m) dB(A) | |
| ZEN ECG 1000 DX10-ME | 2190 | PUZ-ZM100VKA | PUZ-ZM100YKA | 0,213 | 1,86 | 61 | 40 |
| ZEN ECG 1500 DX14-ME | 2920 | PUZ-ZM125VKA | PUZ-ZM125YKA | 0,284 | 2,48 | 62 | 57 |
| ZEN ECG 2000 DX22-ME | 4380 | - | PUHZ-ZRP200YKA | 0,426 | 3,72 | 63 | 78 |
| ZEN ECG 2000 DX24-ME | 4380 | - | PUHZ-ZRP250YKA | 0,426 | 3,72 | 63 | 78 |
| ZEN ECG 2500 DX27-ME | 5110 | - | PUHZ-ZRP250YKA | 0,497 | 4,34 | 64 | 95 |

(*) Includes direct expansion valve. ZM units with gas R32 and ZRP with gas R410A.

Also compatible with Standard Inverter units PUHZ-P200YKA and PUHZ-P250YKA (R410A) and Zubadan range.

| MITSUBISHI Power Inverter (*) Outdoor Units | Heating Capacity | Heating Power | SCOP or COP | Cooling Capacity | Cooling Power | SEER or EER | Power Supply | Pipes Gas Liquid | Pipes Minimum Length | Pipes Maximum Length | Pipes Maximum Height |
|---|---------------------|------------------|----------------|---------------------|------------------|----------------|-----------------|---------------------|----------------------------|----------------------------|----------------------------|
| ZM (R32) / ZRP (R410A) | kW | kW | | kW | kW | | | inch | m | m | m |
| PUZ-ZM100VKA | 11,2 | 2,60 | 4,10 | 9,5 | 2,27 | 6,20 | 230Vx1 | 5/8 3/8 | - | 100 | 30 |
| PUZ-ZM100YKA | 11,2 | 2,60 | 4,10 | 9,5 | 2,27 | 6,10 | 400Vx3 | 5/8 3/8 | - | 100 | 30 |
| PUZ-ZM125VKA | 14,0 | 3,35 | 3,90 | 12,5 | 3,33 | 6,00 | 230Vx1 | 5/8 3/8 | - | 100 | 30 |
| PUZ-ZM125YKA | 14,0 | 3,35 | 3,90 | 12,5 | 3,33 | 5,90 | 400Vx3 | 5/8 3/8 | - | 100 | 30 |
| PUHZ-ZRP200YKA | 22,4 | 6,94 | 3,23 | 19,0 | 6,46 | 2,94 | 400Vx3 | 1 3/8 | - | 100 | 30 |
| PUHZ-ZRP250YKA | 27,0 | 8,94 | 3,75 | 22,0 | 8,31 | 2,65 | 400Vx3 | 1 1/2 | - | 100 | 30 |

(*) Also compatible with Standard Inverter units PUHZ-P200YKA and PUHZ-P250YKA (R410A) and Zubadan range.

Energy efficiency: SCOP/SEER seasonal ≤12kW, COP/EER >12kW.

Outdoor unit capacities depending on standard conditions: heating 20°CDB indoor / 7°CDB and 6°CWB outdoor, cooling 27°CDB and 19°CWB indoor / 35°CDB outdoor.

When adverse weather conditions, the outdoor unit capacity can decrease. It is recommendable to oversize the units.

ZEN VRF-ME | Heat Pump Energy Saving Air Curtains For MITSUBISHI ELECTRIC Outdoor Units (VRF)



Characteristics



- Energy saving heat pump air curtains: Up to 70% reduction in costs and CO₂ emissions (heating mode).
- Decorative air curtain in contemporary architectural style. Its minimalist and smart design integrates in any environment and offers infinite options to customize.
- Can include personalized logotypes, signs or graphic designs. It can even incorporate clocks or lighting.
- Front anodized aluminium panels. Optionally manufactured in brushed or mirror polished stainless steel. Other materials are possible, such as wood, metal, etc.
- Central structure made of galvanized steel finished in black forge as standard. Other colours are available on request.
- Anodized aluminium outlet vanes, airfoil shaped, adjustable in both directions.
- EC Double-inlet centrifugal fans driven by an external rotor motor and low noise level, with very low consumption efficient fans.
- Includes direct expansion coil with sensors. Optional condensate water pump.
- CS-5DX-NE Plug&Play control with 5 speeds and telephone cable 7m included.
- Requires MITSUBISHI ELECTRIC VRF Interface KIT adapted for air curtain with expansion valve and programmable control, please consult.
- Ready to connect to MITSUBISHI ELECTRIC VRF outdoor heat pump unit (R410A), not included, the customer should purchase it.

Specifications

| Model | Airflow m ³ /h | Power Fans 230V-50Hz kW | Current Fans 230V-50Hz A | Noise Level (5 m) dB(A) | Weight kg | Mitsubishi Electric Kit Interface VRF (*) |
|-----------------------|------------------------------|-------------------------------|--------------------------------|-------------------------------|--------------|---|
| ZEN ECG 1000 VRF10-ME | 2190 | 0,213 | 1,86 | 61 | 40 | PAC-AH125M-J |
| ZEN ECG 1500 VRF13-ME | 2920 | 0,284 | 2,48 | 62 | 57 | PAC-AH125M-J |
| ZEN ECG 1500 VRF15-ME | 2920 | 0,284 | 2,48 | 62 | 57 | PAC-AH125M-J |
| ZEN ECG 2000 VRF20-ME | 4380 | 0,426 | 3,72 | 63 | 78 | PAC-AH250M-J |
| ZEN ECG 2000 VRF24-ME | 4380 | 0,426 | 3,72 | 63 | 78 | PAC-AH250M-J |
| ZEN ECG 2500 VRF25-ME | 5110 | 0,497 | 4,34 | 64 | 95 | PAC-AH250M-J |
| ZEN ECG 2500 VRF29-ME | 5110 | 0,497 | 4,34 | 64 | 95 | PAC-AH250M-J |

(*) Includes direct expansion valve.

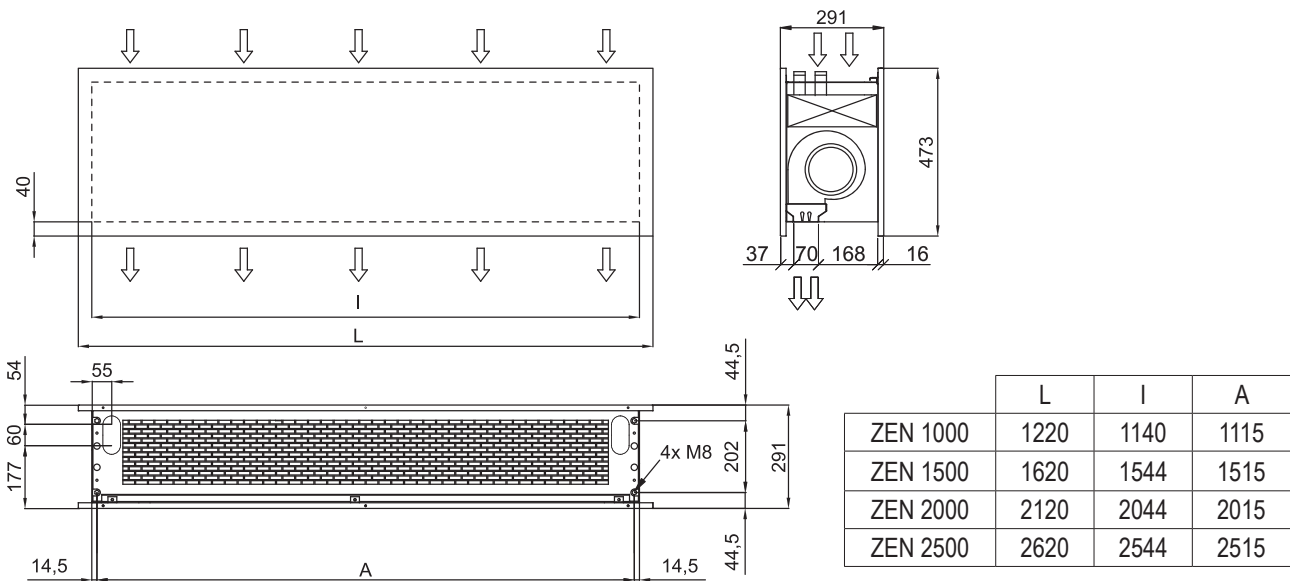
| MITSUBISHI ELECTRIC VRF compatible Outdoor Units | |
|--|--------------------|
| Range | Series |
| City Multi | S/Y (Heat Pump) |
| City Multi | R2 (Heat Recovery) |

When adverse weather conditions, the outdoor unit capacity can decrease. It is recommendable to oversize the units.

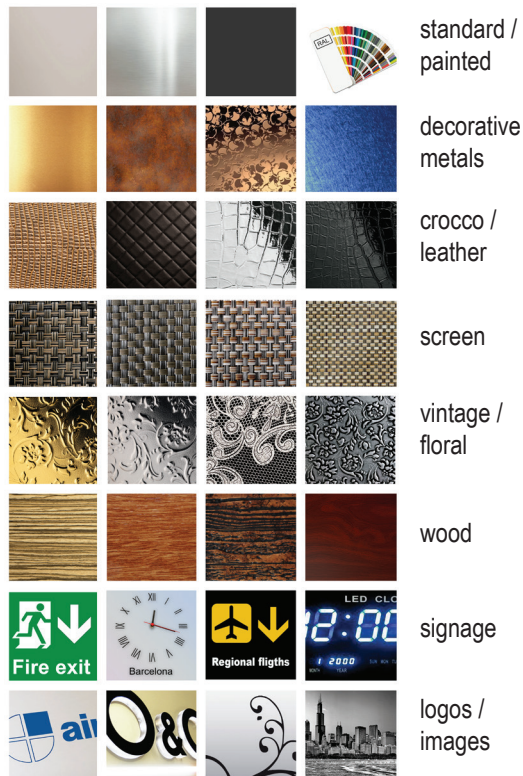
ZEN DX/VRF-ME | Heat Pump Energy Saving Air Curtains For MITSUBISHI ELECTRIC Outdoor Units (1:1/VRF)



Dimensions



Finishes



- Painted any RAL colour or metal
- Different materials: aluminium, stainless steel AISI 304 (brushed or polished), wood, glass, PVC/PES, etc.
- Logos, lights, clocks, signs, vinyls, patterns, etc.