

RECESSED WINDBOX DX-ME | Heat Pump Energy Saving Air Curtains For MITSUBISHI ELECTRIC Outdoor Units (1:1)



Characteristics



- Energy saving heat pump air curtains: Up to 70% reduction in costs and CO₂ emissions (heating mode).
- Self-supporting casing construction made of galvanized steel plate, ready to be installed recessed in a false ceiling.
- Inlet grille (free of maintenance) made with aluminium profiles and blow-out nozzle, integrated in a single white frame colour RAL 9016. Other colours are available on request.
- Anodized aluminium outlet vanes, airfoil shaped, adjustable in both directions.
- EC Double-inlet centrifugal fans driven by an external rotor motor and low noise level, with very low consumption efficient fans.
- Includes direct expansion coil with sensors. Optional condensate water pump.
- CS-5DX-NE Plug&Play control with 5 speeds and telephone cable 7m included.
- Requires MITSUBISHI ELECTRIC DX Interface KIT adapted for air curtain and programmable control, please consult.
- Ready to connect to MITSUBISHI ELECTRIC Power Inverter outdoor heat pump unit (R32 / R410A) with expansion valve, not included, the customer should purchase it.

Specifications

Model	Airflow m ³ /h	Outdoor Unit (*)		Power Fans	Current Fans	Noise Level	Weight kg
		230Vx1	400Vx3	230V-50Hz kW	230V-50Hz A	(5 m) dB(A)	
RECM 1000 DX8-ME	1640	PUZ-ZM71VHA	-	0,142	1,24	56	63
RECM 1500 DX11-ME	2460	PUZ-ZM100VKA	PUZ-ZM100YKA	0,213	1,86	57	93
RECM 1500 DX13-ME	2460	PUZ-ZM125VKA	PUZ-ZM125YKA	0,213	1,86	57	93
RECM 2000 DX16-ME	3280	PUZ-ZM140VKA	PUZ-ZM140YKA	0,284	2,48	58	122
RECM 2500 DX22-ME	4100	-	PUHZ-ZRP200YKA	0,355	3,10	59	153
RECM 2500 DX24-ME	4100	-	PUHZ-ZRP250YKA	0,355	3,10	59	153
RECG 1000 DX10-ME	2190	PUZ-ZM100VKA	PUZ-ZM100YKA	0,213	1,86	61	67
RECG 1500 DX14-ME	2920	PUZ-ZM125VKA	PUZ-ZM125YKA	0,284	2,48	62	98
RECG 2000 DX22-ME	4380	-	PUHZ-ZRP200YKA	0,426	3,72	63	131
RECG 2000 DX24-ME	4380	-	PUHZ-ZRP250YKA	0,426	3,72	63	131
RECG 2500 DX27-ME	5110	-	PUHZ-ZRP250YKA	0,497	4,34	64	163

(*) Includes direct expansion valve. ZM units with gas R32 and ZRP with gas R410A.

Also compatible with Standard Inverter units PUHZ-P200YKA and PUHZ-P250YKA (R410A) and Zubadan range.

MITSUBISHI Power Inverter (*) Outdoor Units	Heating Capacity	Heating Power	SCOP or COP	Cooling Capacity	Cooling Power	SEER or EER	Power Supply	Pipes Gas	Pipes Liquid	Pipes Minimum Length	Pipes Maximum Length	Pipes Maximum Height
ZM (R32) / ZRP (R410A)	kW	kW		kW	kW			inch		m	m	m
PUZ-ZM71VHA	8,0	1,93	3,90	7,1	1,86	5,80	230Vx1	5/8	3/8	-	50	30
PUZ-ZM100VKA	11,2	2,60	4,10	9,5	2,27	6,20	230Vx1	5/8	3/8	-	100	30
PUZ-ZM100YKA	11,2	2,60	4,10	9,5	2,27	6,10	400Vx3	5/8	3/8	-	100	30
PUZ-ZM125VKA	14,0	3,35	3,90	12,5	3,33	6,00	230Vx1	5/8	3/8	-	100	30
PUZ-ZM125YKA	14,0	3,35	3,90	12,5	3,33	5,90	400Vx3	5/8	3/8	-	100	30
PUZ-ZM140VKA	16,0	3,97	4,00	13,4	3,63	5,90	230Vx1	5/8	3/8	-	100	30
PUZ-ZM140YKA	16,0	3,97	4,00	13,4	3,63	5,80	400Vx3	5/8	3/8	-	100	30
PUHZ-ZRP200YKA	22,4	6,94	3,23	19,0	6,46	2,94	400Vx3	1	3/8	-	100	30
PUHZ-ZRP250YKA	27,0	8,94	3,75	22,0	8,31	2,65	400Vx3	1	1/2	-	100	30

(*) Also compatible with Standard Inverter units PUHZ-P200YKA and PUHZ-P250YKA (R410A) and Zubadan range.

Energy efficiency: SCOP/SEER seasonal ≤12kW, COP/EER >12kW.

Outdoor unit capacities depending on standard conditions: heating 20°CDB indoor / 7°CDB and 6°CWB outdoor, cooling 27°CDB and 19°CWB indoor / 35°CDB outdoor.

When adverse weather conditions, the outdoor unit capacity can decrease. It is recommendable to oversize the units.

RECESSED WINDBOX VRF-ME | Heat Pump Energy Saving Air Curtains For MITSUBISHI ELECTRIC Outdoor Units (VRF)



Characteristics



- Energy saving heat pump air curtains: Up to 70% reduction in costs and CO₂ emissions (heating mode).
- Self-supporting casing construction made of galvanized steel plate, ready to be installed recessed in a false ceiling.
- Inlet grille (free of maintenance) made with aluminium profiles and blow-out nozzle, integrated in a single white frame colour RAL 9016. Other colours are available on request.
- Anodized aluminium outlet vanes, airfoil shaped, adjustable in both directions.
- EC Double-inlet centrifugal fans driven by an external rotor motor and low noise level, with very low consumption efficient fans.
- Includes direct expansion coil with sensors. Optional condensate water pump.
- CS-5DX-NE Plug&Play control with 5 speeds and telephone cable 7m included.
- Requires MITSUBISHI ELECTRIC VRF Interface KIT adapted for air curtain with expansion valve and programmable control, please consult.
- Ready to connect to MITSUBISHI ELECTRIC VRF outdoor heat pump unit (R410A), not included, the customer should purchase it.

Specifications

Model	Airflow m ³ /h	Power Fans 230V-50Hz kW	Current Fans 230V-50Hz A	Noise Level (5 m) dB(A)	Weight kg	Mitsubishi Electric Kit Interface VRF (*)
RECM 1500 VRF12-ME	2460	0,213	1,86	57	93	PAC-AH125M-J
RECM 2000 VRF16-ME	3280	0,284	2,48	58	122	PAC-AH125M-J
RECM 2000 VRF19-ME	3280	0,284	2,48	58	122	PAC-AH250M-J
RECM 2500 VRF21-ME	4100	0,355	3,10	59	153	PAC-AH250M-J
RECM 2500 VRF24-ME	4100	0,355	3,10	59	153	PAC-AH250M-J
RECG 1000 VRF10-ME	2190	0,213	1,86	61	67	PAC-AH125M-J
RECG 1500 VRF13-ME	2920	0,284	2,48	62	98	PAC-AH125M-J
RECG 1500 VRF15-ME	2920	0,284	2,48	62	98	PAC-AH125M-J
RECG 2000 VRF20-ME	4380	0,426	3,72	63	131	PAC-AH250M-J
RECG 2000 VRF24-ME	4380	0,426	3,72	63	131	PAC-AH250M-J
RECG 2500 VRF25-ME	5110	0,497	4,34	64	163	PAC-AH250M-J
RECG 2500 VRF29-ME	5110	0,497	4,34	64	163	PAC-AH250M-J

(*) Includes direct expansion valve.

MITSUBISHI ELECTRIC VRF compatible Outdoor Units

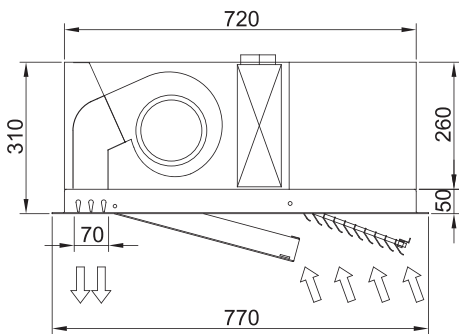
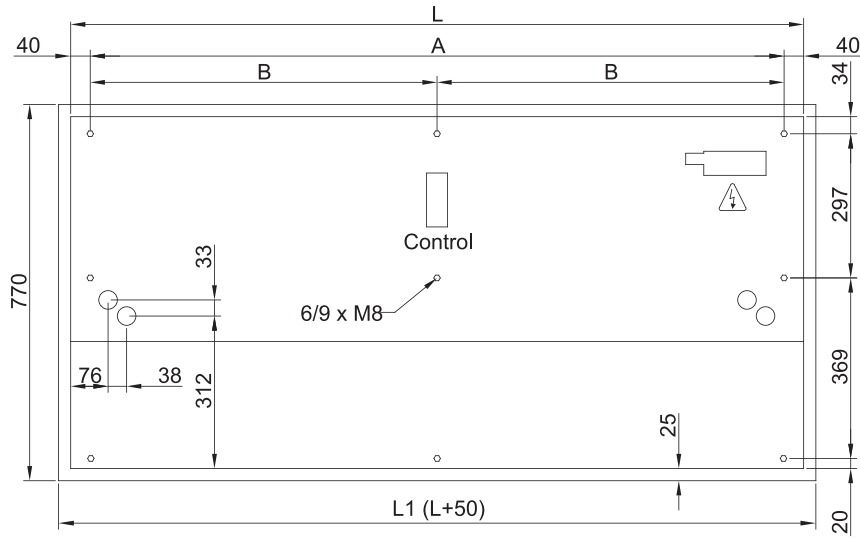
Range	Series
City Multi	S/Y (Heat Pump)
City Multi	R2 (Heat Recovery)

When adverse weather conditions, the outdoor unit capacity can decrease. It is recommendable to oversize the units.

RECESSED WINDBOX DX/VRF-ME | Heat Pump Energy Saving Air Curtains For MITSUBISHI ELECTRIC Outdoor Units (1:1/VRF)



Dimensions



	L	L1	A	B
RWIN 1000	1000	1050	920	-
RWIN 1500	1500	1550	1420	710
RWIN 2000	2000	2050	1920	960
RWIN 2500	2500	2550	2420	1210

Finishes and details

Designed to be integrated in a false ceiling
or in a bulkhead at the entrance of a local



Customizable inlet grille in RAL color optionally