

CMP/AL CJMP/AL



CMP/AL: Aluminium non-spark fans with certificate of compliance with standard UNE-60601 and in accordance with natural gas boiler room needs.

CJMP/AL: Aluminium non-spark ventilation units with certificate of compliance with standard UNE-60601 and in accordance with natural gas boiler room needs.



Fan:

- Forward-curved impeller made of sheet aluminium.
- CMP/AL: Sheet aluminium casing.
- CJMP/AL: Galvanised sheet steel structure.

Motor:

- Class F motors with ball bearings and IP55 protection.
- Single-phase 230 V - 50 Hz.
- Maximum temperature of air to be carried: -20 °C +120 °C.

Finish:

- CMP/AL: Anti-corrosive finish of polyester resin polymerised at 190 °C, previously degreased with

phosphate-free nanotechnological treatment.

- CJMP/AL: Anti-corrosive finish on galvanised sheet steel.

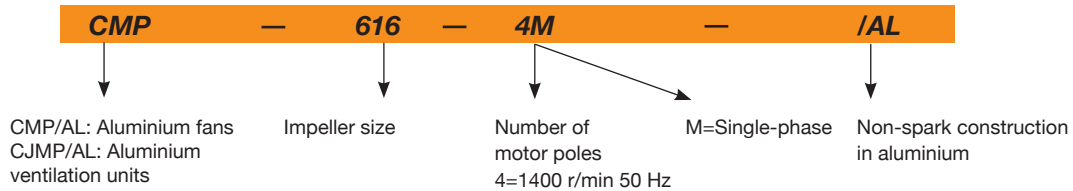
On request:

- Special windings for different voltages.
- ATEX-certified Category 2.



Dynamically balanced rotors with extremely robust cores

Order code



Technical characteristics

Model	Speed	Maximum admissible current (A)	Installed power	Maximum flow rate	Sound pressure level	Approx. weight	According to ErP
	(r/min)	230 V	(kW)	m ³ /h	dB(A)	(kg)	
CMP-512-4M/AL	1370	0.83	0.09	255	55	4	Excluded
CMP-514-4M/AL	1370	0.83	0.09	565	58	5	Excluded
CMP-616-4M/AL	1370	0.83	0.09	850	61	8	Excluded
CMP-820-4M/AL	1370	2.00	0.25	1670	66	10	2015
CJMP-512-4M/AL	1370	0.83	0.09	255	50	8.5	Excluded
CJMP-514-4M/AL	1370	0.83	0.09	565	54	10.5	Excluded
CJMP-616-4M/AL	1370	0.83	0.09	850	57	14.5	Excluded
CJMP-820-4M/AL	1370	2.00	0.25	1670	60	18.0	2015

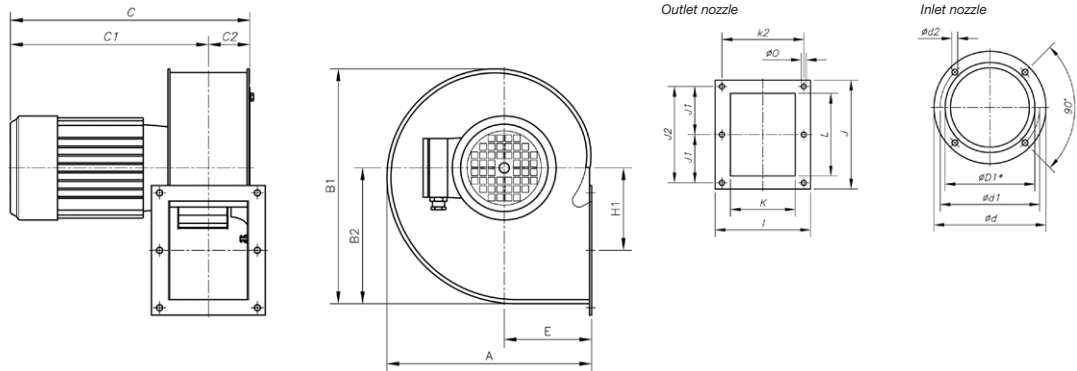


Erp. (Energy Related Products)

Information on Directive 2009/125/EC can be downloaded from the SODECA website or the QuickFan selector programme.

Dimensions mm

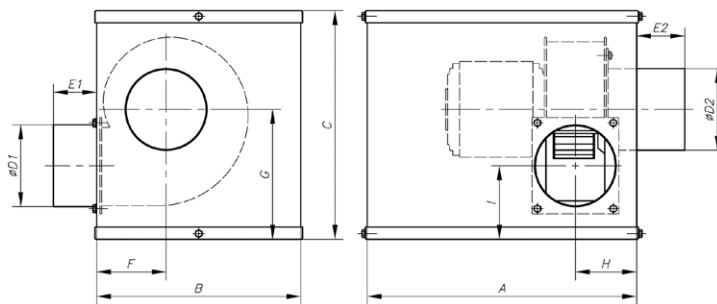
CMP/AL-512...820



	A	B1	B2	C	C1	C2	øD1*	ød	ød1	ød2	E	H1	I	J	J1	J2	K	k2	L	ø0
CMP-512-4M/AL	182	207	118	197,5	159	38,5	112	140	132	M4	81	69	106	118	-	105	72	93	86	5.5
CMP-514-4M/AL	225	254	150	210	165	45	140	169	151,5	M4	100	91	122	147	64	128	83	105	107	6.5
CMP-616-4M/AL	258	297	173,5	270	214	56	160	204	180	M6	110	105.5	153	172	-	147	103	128	125	7
CMP-820-4M/AL	322	377	223	345.5	277	68.5	200	247	230	M4	137.5	137	184	213	94.5	189	130	160	156	9

* Recommended nominal tube diameter

CJMP/AL-512...820



	A	B	C	øD1	øD2	E1	E2	F	G	H	I
CJMP/AL-512	330	250	280	100	100	53	59	85	159	75	90
CJMP/AL-514	330	270	320	125	125	53	58	104	190	82	100
CJMP/AL-616	370	300	370	135	135	53	52	114	217	100	110
CJMP/AL-820	450	400	450	135	195	53	51	142	267	112	130

Characteristic curves

Q= Flow rate in m³/h, m³/s and cfm

Pe= Static pressure in mm H₂O, Pa and inwg

