

CMA/ATEX Centrifugal medium-pressure fans made from cast aluminium with ATEX certification



Centrifugal single-inlet, medium-pressure fans with casing and impeller made from cast aluminium to work in explosive atmospheres.

Fan:

- Casing made from cast aluminium
- Impeller made from cast aluminium

Motor:

- Class F insulation, IP55 with ATEX certification, Ex"e" explosion-proof or Ex"d" flame-resistant
- Three phase, 50Hz, 230/400V motors up to and including 4kW. 400/690V over 4kW
- Max. air temperature to transport: -20°C+ 80°C



Ex "e" marked: $\text{C}\text{E}\text{Ex}$ II 2G Ex e
 Ex "d" marked: $\text{C}\text{E}\text{Ex}$ II 2G Ex d
 Ex tc marked: $\text{C}\text{E}\text{Ex}$ II 3D Ex tc
 Ex tb marked: $\text{C}\text{E}\text{Ex}$ II 2D Ex tb
Notified authority: L.O.M
Identification No: LOM04ATEX0007

Finish:

- Rust retardant finish with ATEX paint, containing no ferrous components, in polyester resin polymerised at 190°C, after phosphate free pre-treatment

On request:

- Built-in motors with PTC
- Special windings for different electrical supplies and frequencies
- ATEX construction for different categories

Order code

CMA/ATEX — 531 — 4T — 2 — Ex-e

Centrifugal medium-pressure fans made from cast aluminium with ATEX certification

Impeller size

Number of motor pole
 2=2900 r/min. 50 Hz

T=Three-phase
 Motor power (HP)

Ex-e: marked: $\text{C}\text{E}\text{Ex}$ II 2G Ex e IIB T3
 Ex "d" marked: $\text{C}\text{E}\text{Ex}$ II 2G Ex d IIB T5
 Ex tc marked: $\text{C}\text{E}\text{Ex}$ II 3D Ex tc
 Ex tb marked: $\text{C}\text{E}\text{Ex}$ II 2D Ex tb

Marked:

$\text{C}\text{E}\text{Ex}$ II 2G c
 $\text{C}\text{E}\text{Ex}$ II 2D c
 $\text{C}\text{E}\text{Ex}$ II 3D c

Technical characteristics

Model	Speed (r/min)	Maximum current (A)		Installed power (kW)	Maximum airflow (m³/h)	Sound pressure level dB(A)	Approx. weight with motor (Kg)	
		230V	400V				Ex-e	Ex-d
CMA-324-2T/ATEX	2760	1.21	0.70	0.18	440	70	10	16
CMA-325-2T/ATEX	2740	1.73	1.00	0.25	600	73	12	19
CMA-426-2T/ATEX	2770	2.08	1.20	0.37	850	75	14	24
CMA-527-2T/ATEX	2710	2.94	1.70	0.55	1000	80	17	25
CMA-528-2T-1/ATEX	2820	3.46	2.00	0.75	1250	82	24	36
CMA-528-2T-1.5/ATEX	2850	4.50	2.60	1.10	1750	83	27	40
CMA-531-2T-1.5/ATEX	2850	4.50	2.60	1.10	1790	84	30	43
CMA-531-2T-2/ATEX	2800	6.24	3.60	1.50	2000	85	31	50
CMA-540-2T/ATEX	2800	6.24	3.60	1.50	2600	85	38	57
CMA-545-2T-3/ATEX	2860	8.66	5.00	2.20	2630	86	54	75
CMA-545-2T-4/ATEX	2845	12.12	7.00	3.00	3550	88	63	87

Acoustic features

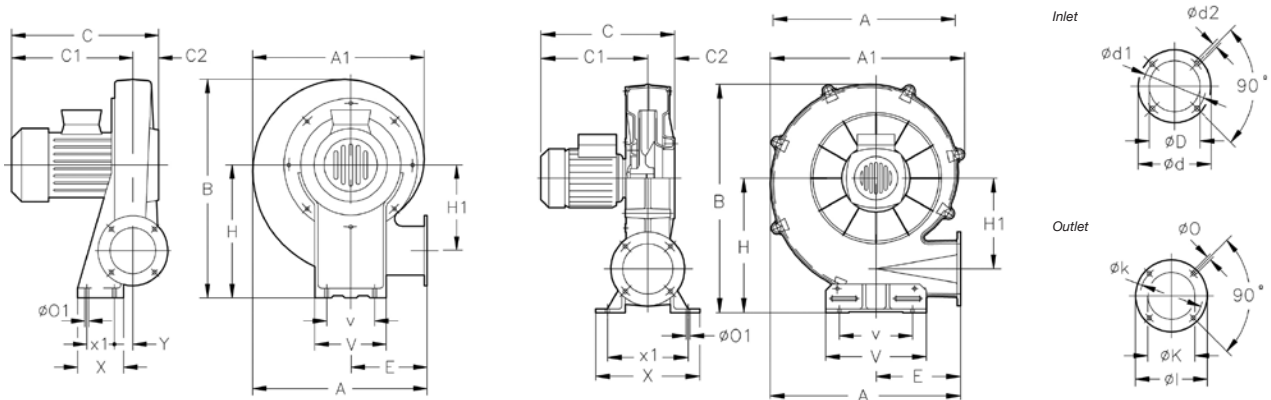
The specified values are determined according to free field measurements of pressure and sound levels in dB(A) at an equivalent distance of twice the fan's span plus the turbine's diameter, with a minimum of 1.5 m.

Sound power Lw(A) spectrum in dB(A) via frequency band in Hz.

Model	Lp dB (A)	63	125	250	500	1000	2000	4000	8000
CMA-324-2T/ATEX	70	36	50	68	74	78	75	70	61
CMA-325-2T/ATEX	73	39	53	71	77	81	78	73	64
CMA-426-2T/ATEX	75	41	55	73	79	83	80	75	66
CMA-527-2T/ATEX	80	46	60	78	84	88	85	80	71
CMA-528-2T-1/ATEX	82	48	62	80	86	90	87	82	73
CMA-528-2T-1.5/ATEX	83	49	63	81	87	91	88	83	74

Model	Lp dB (A)	63	125	250	500	1000	2000	4000	8000
CMA-531-2T-1.5/ATEX	84	50	64	82	88	92	89	84	75
CMA-531-2T-2/ATEX	85	51	65	83	89	93	90	85	76
CMA-540-2T/ATEX	85	54	67	85	91	96	92	87	79
CMA-545-2T-3/ATEX	86	55	68	86	92	97	93	88	80
CMA-545-2T-4/ATEX	88	57	70	88	94	99	95	90	82

Dimensions in mm



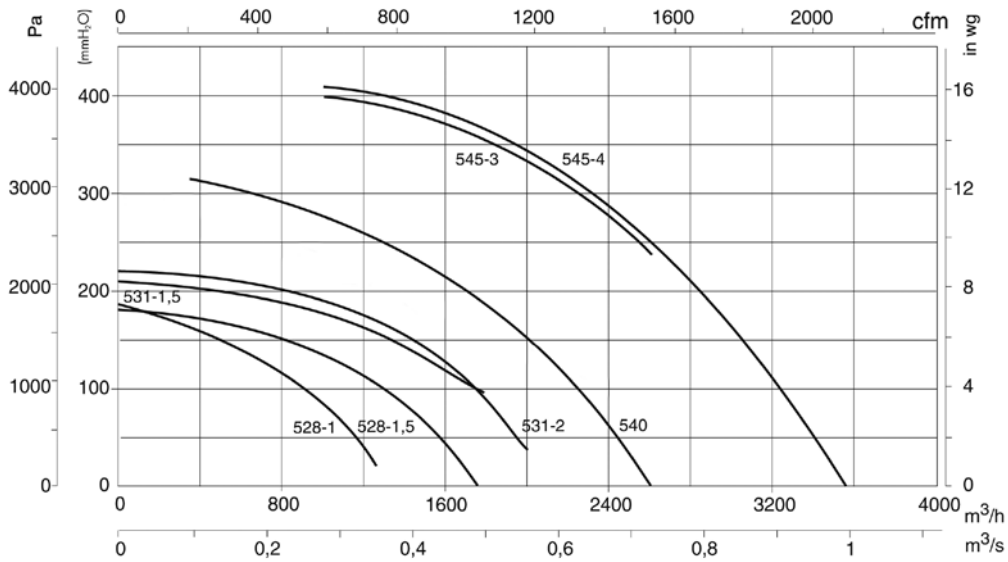
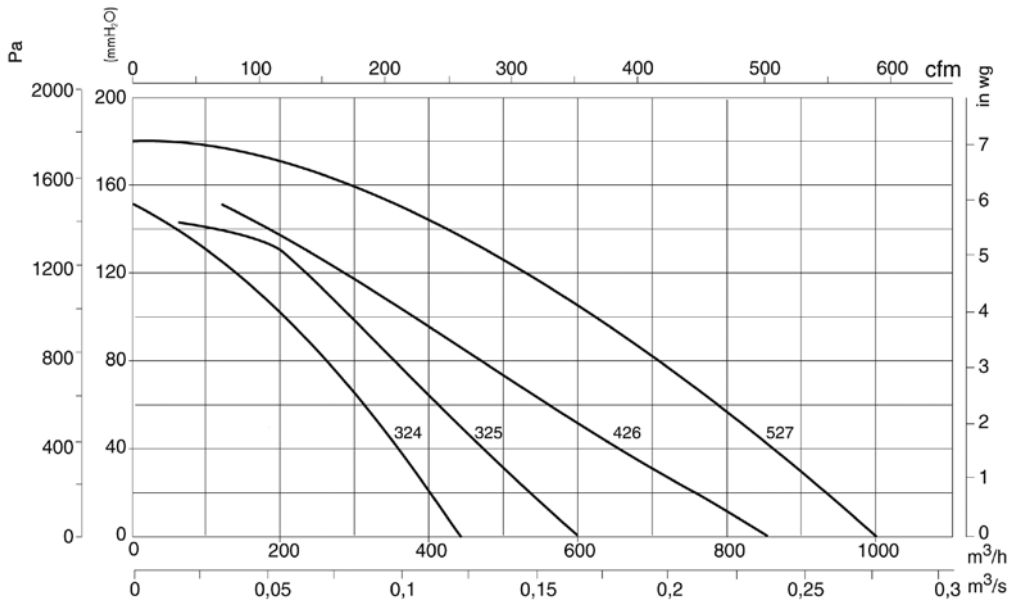
Model	Ex-"e"		Ex-"d"		C2	øD	ød	ød1	ød2	E	H	H1	øl	øK	øk	øO	øO1	V	v	X	x1	Y			
	A	A1	B	C																					
CMA-324-2T/ATEX	311	302	356	263	225	288	250	38	80	130	112	M5	145	205	145	108	62	90	7	9	173	125	90	60	20
CMA-325-2T/ATEX	335	328	399	266	226	291	251	40	94	140	122	M6	155	235	152	120	80	102	7	9	180	145	110	80	20
CMA-426-2T/ATEX	354	344	412	293	253	316	276	40	117	155	132	M6	162	240	163	140	90	119	7	13	210	160	105	65	26
CMA-527-2T/ATEX	371	361	440	297	255	320	280	42	125	170	147	M6	168	260	170	155	100	129	7	13	220	170	120	80	20
CMA-528-2T-1/ATEX	401	395	488	340	292	342	294	51	116	190	162	M6	178	290	177	190	130	160	11	13	230	180	140	100	20
CMA-528-2T-1.5/ATEX	401	395	488	339	291	337	289	48	135	190	162	M6	178	290	177	190	130	160	11	13	230	180	140	100	20
CMA-531-2T-1.5/ATEX	440	434	537	340	292	342	294	50	160	215	180	M6	193	320	200	200	140	175	11	13	240	190	160	120	21
CMA-531-2T-2/ATEX	440	434	537	338	288	392	342	50	160	215	180	M6	193	320	200	200	140	175	11	13	240	190	160	120	21

Model	Ex-"e"		Ex-"d"		C2	øD	ød	ød1	ød2	E	H	H1	øl	øK	øk	øO	øO1	V	v	X	x1	Y			
	A	A1	B	C																					
CMA-540-2T/ATEX	567	580	695	365	285	419	339	80	170	240	205	M10	252	415	270	220	150	190	13	11	336	218	374	240	-
CMA-545-2T-3/ATEX	651	646	776	438	323	467	352	115	180	255	220	M10	290	450	309	250	175	220	13	13	336	238	392	292	-
CMA-545-2T-4/ATEX	651	646	776	461	346	511	396	115	180	255	220	M10	290	450	309	250	175	220	13	13	336	238	392	292	-

Characteristic curves

Q = Airflow in m³/h, m³/s and cfm.

Pe = Static pressure in mmH₂O, Pa and inwg.



Accessories

See accessories section.

