

HTM/ATEX

Tubular mobile fans, with ATEX 2G or 2D certification and Ex db, Ex eb or Ex tb motor



Notified authority: LOM
Identification no.: LOM 03ATEX0157
Motor marking:
Ⓜ II 2G Ex db IIB T4 Gb
Ⓜ II 2G Ex eb IIB T3 Gb
Ⓜ II 2D Ex tb IIIC T135 °C Db



ATEX 2G or 2D certified tubular mobile axial fans with flameproof Ex db, increased safety Ex eb or dust ignition proof Ex tb motor to work in explosive gas or dust atmospheres.

Fan:

- Tubular casing made of sheet steel with aluminium strip in rotor zone, in accordance with standard EN 14986.
- Cast aluminium impellers.
- With inspection hatch.
- Protection grid against contacts according to the UNE-EN ISO 12499 standard, on both sides.
- Airflow direction from motor to impeller.
- Standard marking with flameproof motor (Ex db): II 2G Ex h IIB T4 Gb.
- Standard marking with increased safety motor (Ex eb): II 2G Ex h IIB T3 Gb.
- Standard marking with motor for dust ignition proof (Ex tb): II 2D Ex h IIIC T135 °C Db.

Motor:

- Class F motors with ball bearings and ATEX certification flameproof Ex db, increased safety Ex eb or dust ignition proof Ex tb.
- Three-phase 230/400 V 50 Hz (up to 4 kW) and 400/690 V 50 Hz (powers greater than 4 kW).
- Working temperature: -20 °C +40 °C.

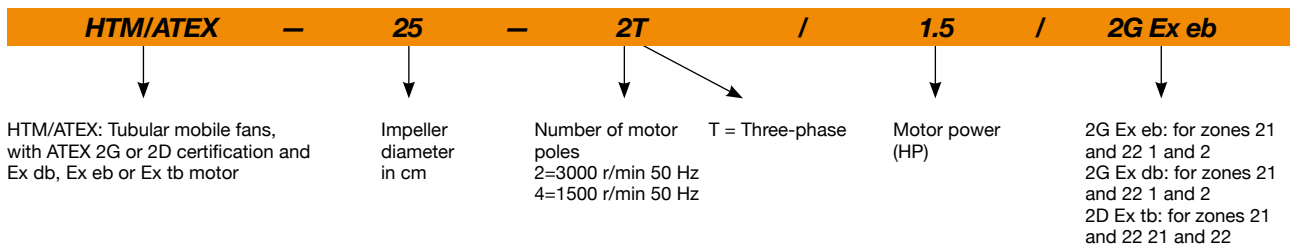
Finish:

- Anti-corrosive with ATEX paint, free of iron components, in polyester resin polymerized at 190 °C, after degreasing with phosphate-free nanotechnological treatment.

On request:

- Motors with built-in PTC.
- Special windings for different voltages and frequencies.
- ATEX construction for flammable dust.
- ATEX fan with greater protection than the standard marking.
- Fans with 2 speed motor.
- Ex db flameproof single-phase motors.

Order code



Technical characteristics

Model	Speed (r/min)	Maximum admissible current (A)		Maximum flow rate (m³/h)	Thrust (N)	Impulsion speed (m/s)	Installed power (kW)	Sound pressure level¹ (dB (A))	Approx. weight (Kg)
		230V	400V						
HTM/ATEX-35-2T	2790	1.62	0.93	5750	30	17	0.37	57	13
HTM/ATEX-35-4T	1400	1.28	0.74	3100	9	9	0.12	39	12
HTM/ATEX-40-4T	1380	1.25	0.72	5100	18	11	0.25	45	19
HTM/ATEX-45-4T	1370	2.60	1.50	7100	28	12	0.37	49	22
HTM/ATEX-56-4T	1420	2.87	1.65	11000	44	12	0.55	55	27
HTM/ATEX-63-4T	1435	4.54	2.61	18300	95	16	1.10	59	35

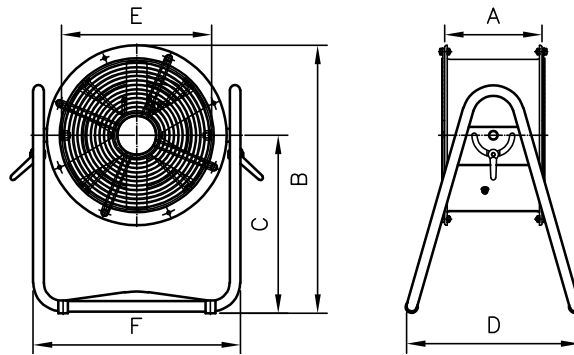
1. The noise level values are pressures in dB(A) measured at a distance of 10 metres in a free field.

Acoustic characteristics

Sound power spectrum Lw(A) in dB(A) per Hz frequency band

	63	125	250	500	1000	2000	4000	8000
HTM/ATEX-35-2T	42	59	71	79	84	84	80	73
HTM/ATEX-35-4T	24	41	53	61	66	66	62	55
HTM/ATEX-40-4T	29	46	58	66	71	71	67	60
HTM/ATEX-45-4T	33	50	62	70	75	75	71	64
HTM/ATEX-56-4T	39	56	69	76	81	82	77	70
HTM/ATEX-63-4T	43	60	73	80	85	86	81	74

Dimensions mm



	A	B	C	D	E	F
HTM/ATEX-35	280	635	420	415	355	489
HTM/ATEX-40	400	725	481	450	410	596
HTM/ATEX-45	400	750	481	453	460	596
HTM/ATEX-56	400	925	594	522	560	726
HTM/ATEX-63	400	960	594	522	640	805

Accessories

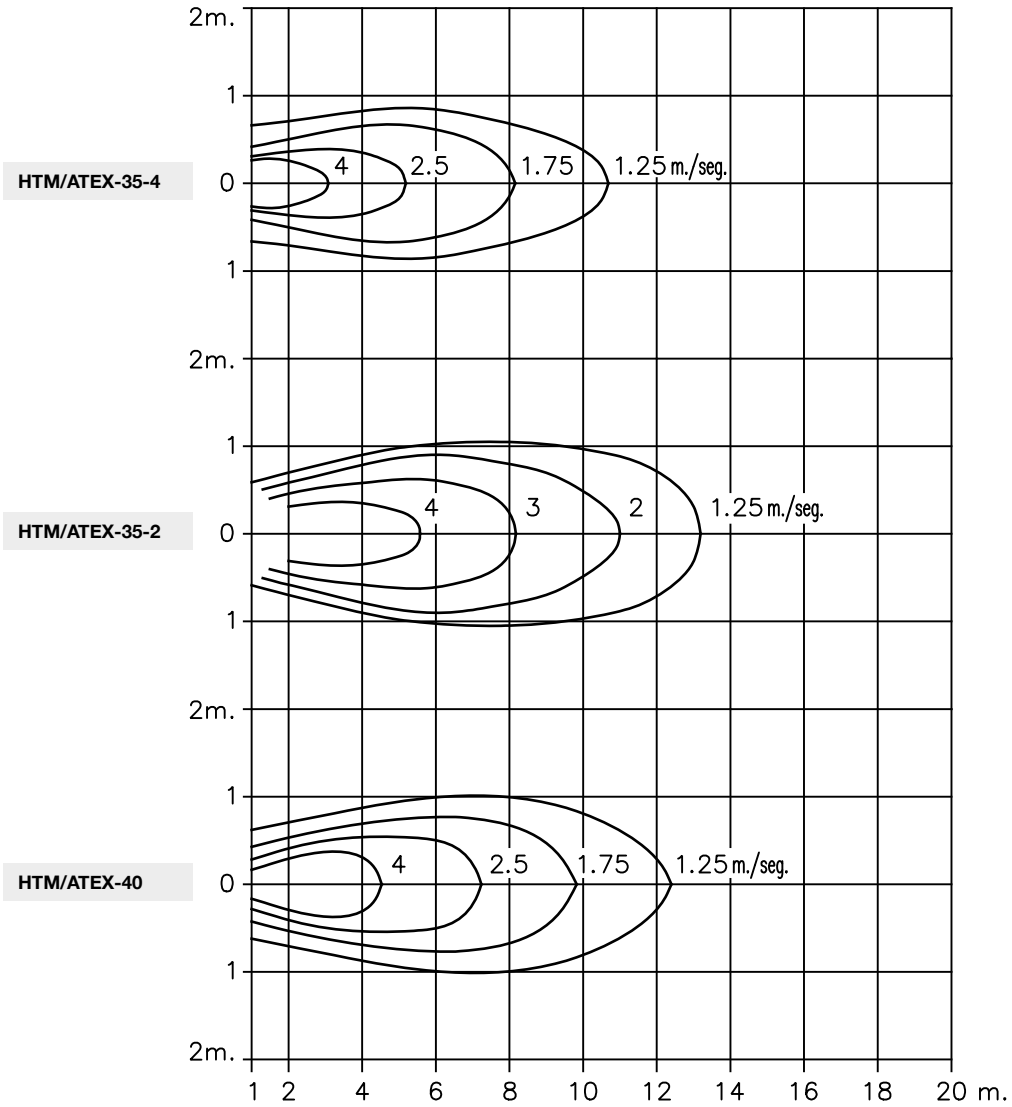


INT/ATEX



BTUB

Blade characteristics with the fan at a distance of 1 metre from point 0



Blade characteristics with the fan at a distance of 1 metre from point 0

