

CJMD

400 °C/2h and 300 °C/2h extractor fan units with linear inlet and outlet



400 °C/2h extractor fan units with acoustically insulated boxed for immersed operation in fire risk zones.

Fan:

- Galvanised sheet steel structure with thermal insulation and acoustic insulation.
- Impeller made of sheet steel.
- Approved in accordance with standard EN 12101-3, with certificate no.: 0370-CPR-0399.
- Linear airflow direction.

Motor:

- Class H motors for S1 continuous operation and S2 emergency use. With ball bearings and IP55 protection.

- Motors with IE3 efficiency for powers equal to or greater than 0.75 kW, except single-phase, 2-speed and 8-pole.
- Three-phase 230/400 V 50 Hz (up to 3 kW) and 400/690 V 50 Hz (powers greater than 3 kW).
- Maximum temperature of air to be carried: S1 -25 °C +40 °C continuous service, also suitable for warm climates with temperatures up to 50 °C. S2 operation, 300 °C/2h, 400 °C/2h.

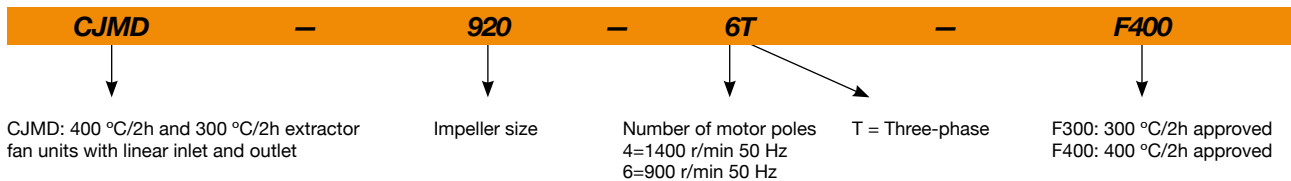
Finish:

- Galvanised steel sheet.

On request:

- Fans with 2 speed motor.

Order code



Technical characteristics

Model	Speed (r/min)	Maximum admissible current (A)			Installed power (kW)	Maximum flow rate (m³/h)	Sound pressure level ¹ dB (A) Irradiated	Approx. weight (Kg)
		230V	400V	690V				
CJMD-600-4T IE3	1425	3.08	1.79		0.75	2445	48	68
CJMD-665-4T IE3	1435	4.10	2.37		1.10	3385	52	80
CJMD-730-4T IE3	1465	7.86	4.52		2.20	5005	56	100
CJMD-730-6T IE3	950	3.36	1.93		0.75	3485	42	95
CJMD-800-4T IE3	1450		7.95	4.61	4.00	6850	61	132
CJMD-800-6T IE3	955	6.25	3.62		1.50	5265	48	116
CJMD-825-6T IE3	960	9.78	5.62		2.20	7370	52	146
CJMD-885-6T IE3	960	9.78	5.62		2.20	8105	55	164
CJMD-905-4T IE3	1425	3.08	1.79		0.75	5830	56	133
CJMD-920-6T IE3	960	9.78	5.62		2.20	7275	63	184
CJMD-960-4T IE3	1435	4.10	2.37		1.10	8095	59	185
CJMD-1020-4T IE3	1440	5.89	3.38		1.50	10600	61	198
CJMD-1020-6T IE3	950	3.36	1.93		0.75	7410	51	197
CJMD-1160-6T IE3	970		8.37	4.82	4.00	11050	65	263
CJMD-1225-4T IE3	1455	11.01	6.33		3.00	15240	67	279
CJMD-1225-6T IE3	950	4.73	2.72		1.10	10050	59	274
CJMD-1330-4T IE3	1465		10.40	6.04	5.50	24490	69	409
CJMD-1330-6T IE3	955	6.25	3.62		1.50	16100	59	370
CJMD-1550-4T IE3	1480		20.70	11.99	11.00	34760	75	553
CJMD-1550-6T IE3	970	12.80	6.36		3.00	23010	66	501

1. The noise level values are pressures in dB(A) measured at a distance of 3 metres in a free field.



Erp. (Energy Related Products)

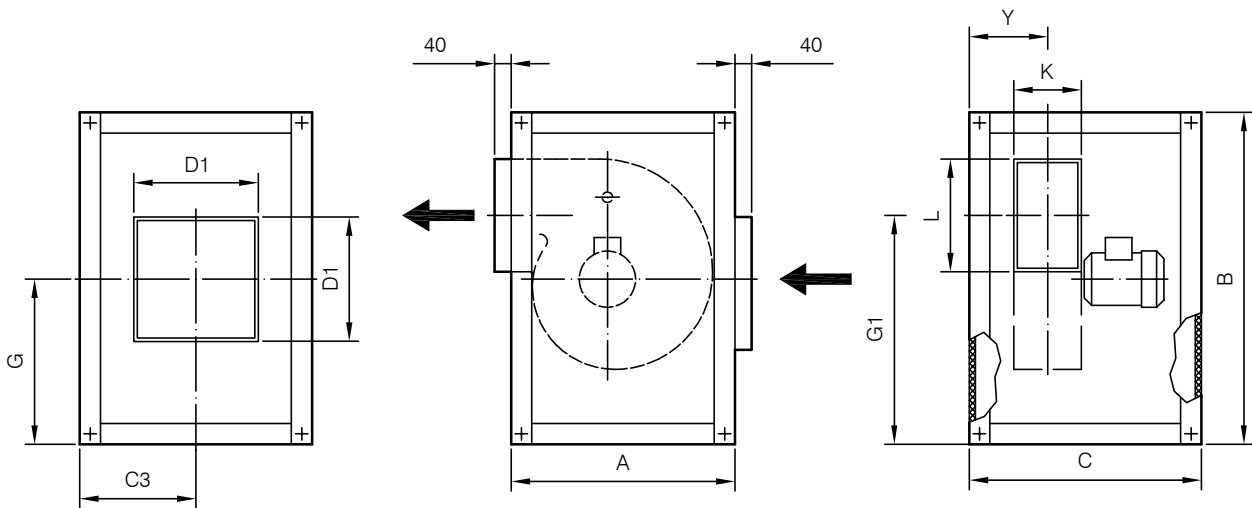
Information on Directive 2009/125/EC can be downloaded from the SODECA website or the QuickFan selector programme.

Acoustic characteristics

Irradiated sound power spectrum Lw(A) in dB(A) per Hz frequency band

	63	125	250	500	1000	2000	4000	8000		63	125	250	500	1000	2000	4000	8000
CJMD-600-4T	33	43	54	61	65	62	60	53	CJMD-960-4T	51	64	70	75	72	75	70	56
CJMD-665-4T	37	47	58	65	69	66	64	57	CJMD-1020-4T	56	66	74	76	75	77	68	58
CJMD-730-4T	41	51	62	69	73	70	68	61	CJMD-1020-6T	45	57	64	69	65	61	54	46
CJMD-730-6T	27	37	48	55	59	56	54	47	CJMD-1160-6T	50	60	71	78	82	80	78	70
CJMD-800-4T	47	56	67	74	78	76	74	67	CJMD-1225-4T	61	70	83	79	82	83	77	63
CJMD-800-6T	34	43	54	61	65	63	61	54	CJMD-1225-6T	53	61	73	75	72	73	63	52
CJMD-825-6T	38	47	58	65	69	67	65	58	CJMD-1330-4T	72	77	83	85	83	80	73	65
CJMD-885-6T	41	50	61	68	72	70	68	61	CJMD-1330-6T	61	62	74	74	73	75	65	55
CJMD-905-4T	48	62	68	71	71	72	62	51	CJMD-1550-4T	75	76	85	88	90	91	87	74
CJMD-920-6T	48	58	69	76	80	78	76	68	CJMD-1550-6T	65	65	79	78	82	82	71	60

Dimensions mm

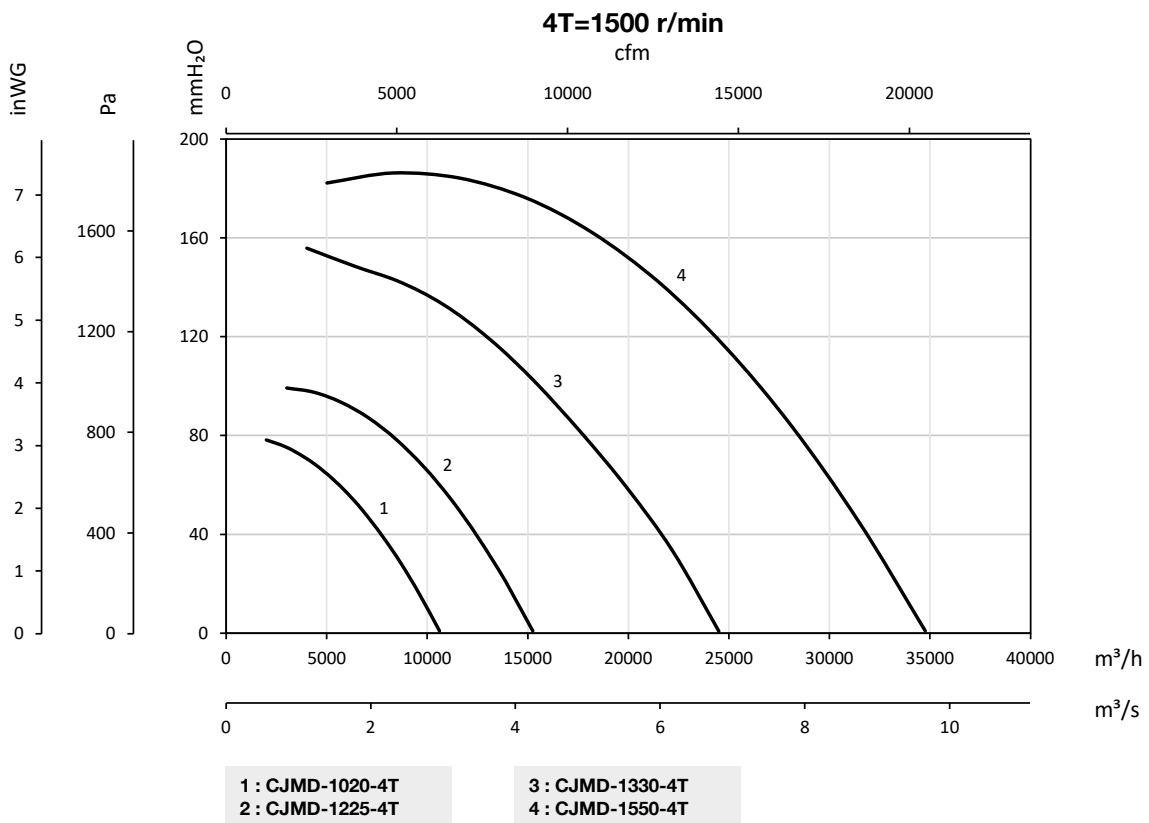
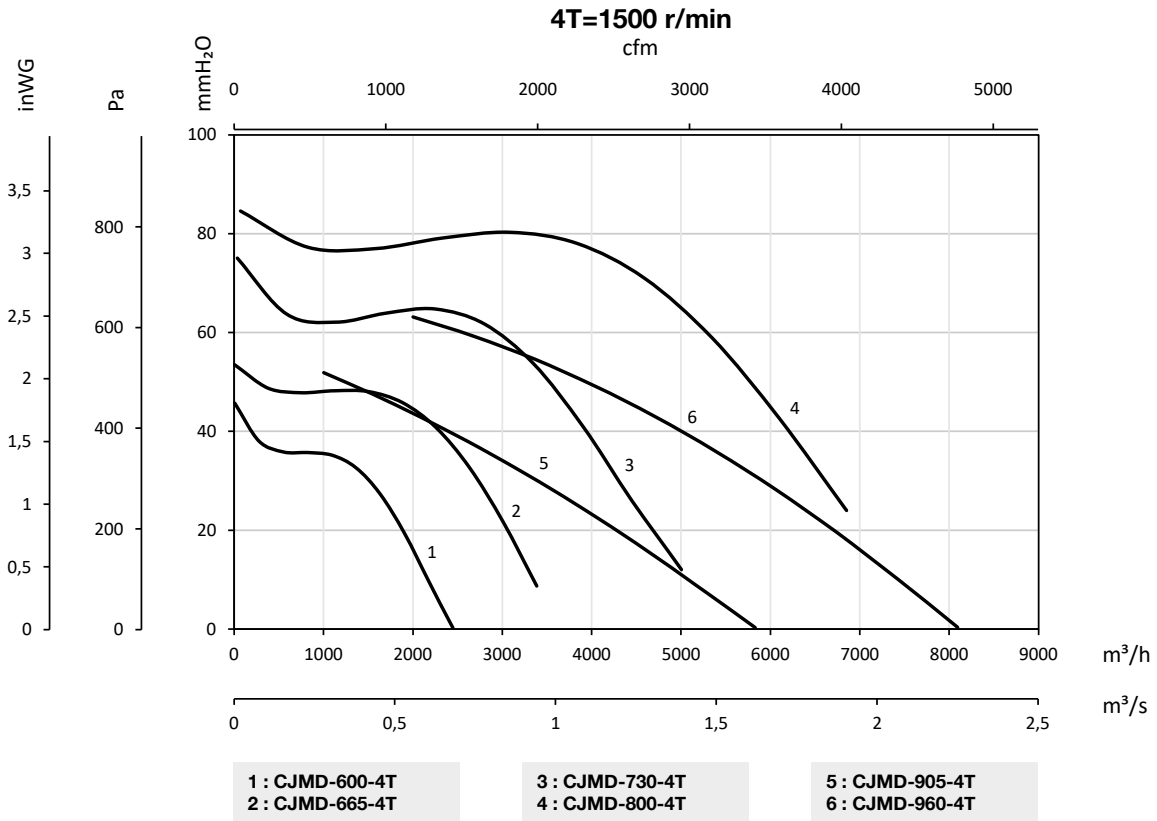


	A	B	C	C3	D1	G	G1	K	L	Y
CJMD-600-4T	735	755	604	302	400	378	500	140	215	190
CJMD-665-4T	790	810	700	350	400	405	540	165	250	215
CJMD-730-4T	855	874	765	382.5	400	437	577	180	295	237
CJMD-730-6T	855	874	765	382.5	400	437	577	180	295	237
CJMD-800-4T	941	961	798	399	500	481	653	200	320	264
CJMD-800-6T	941	961	798	399	500	481	653	200	320	264
CJMD-825-6T	1039	1059	892	446	500	530	770	230	280	296
CJMD-885-6T	1148	1168	938	469	500	585	849	250	320	330
CJMD-905-4T	970	990	915	457.5	500	495	636	315	400	398
CJMD-920-6T	1268	1287	954	477	600	644	945	284	360	372
CJMD-960-4T	1060	1080	990	495	600	540	694	355	450	443
CJMD-1020-4T	1150	1170	1080	540	800	585	756	400	500	490
CJMD-1020-6T	1150	1170	1080	540	800	585	756	400	500	490
CJMD-1160-6T	1375	1395	1130	565	800	698	999	315	450	414
CJMD-1225-4T	1204	1284	1258	629	800	642	836	450	560	545
CJMD-1225-6T	1204	1284	1258	629	800	642	836	450	560	545
CJMD-1330-4T	1338	1418	1474	737	800	709	921	500	630	620
CJMD-1330-6T	1338	1418	1474	737	800	709	921	500	630	620
CJMD-1550-4T	1495	1575	1648	824	1000	788	1032	560	710	675
CJMD-1550-6T	1495	1575	1648	824	1000	788	1032	560	710	675

Characteristic curves

Q= Flow rate in m³/h, m³/s and cfm

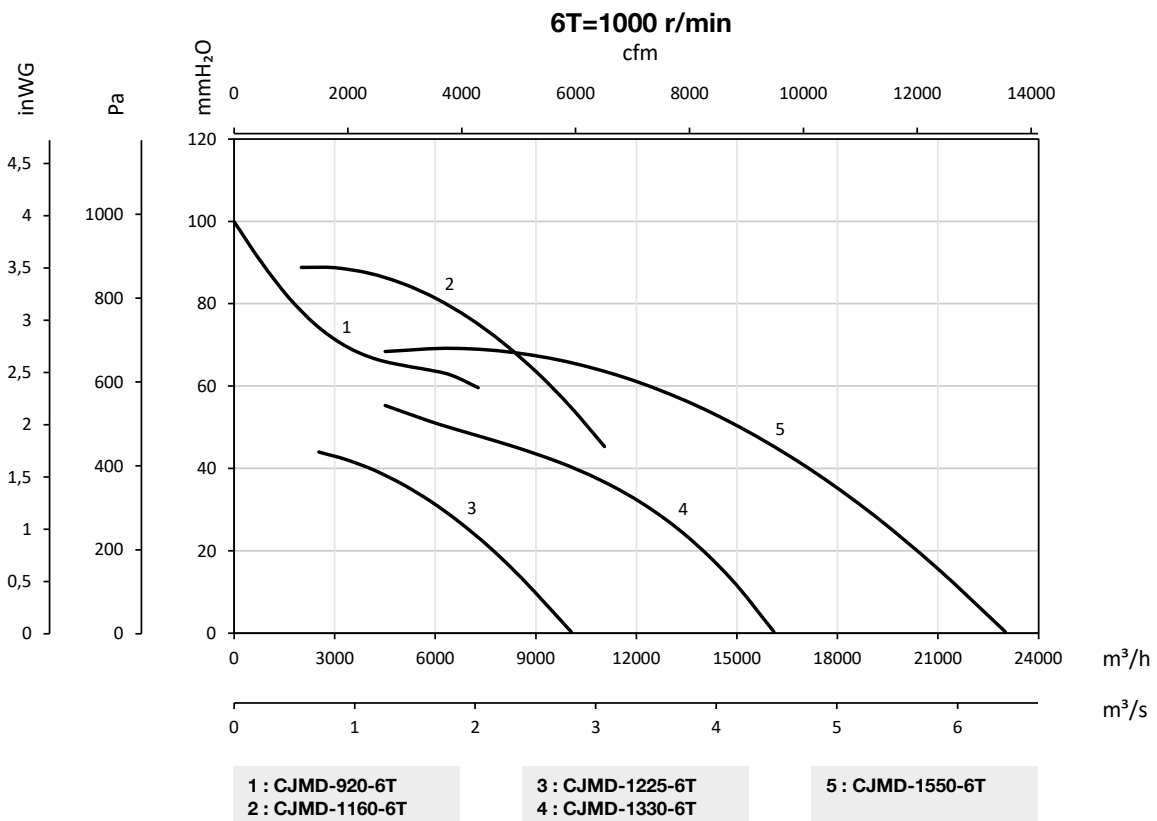
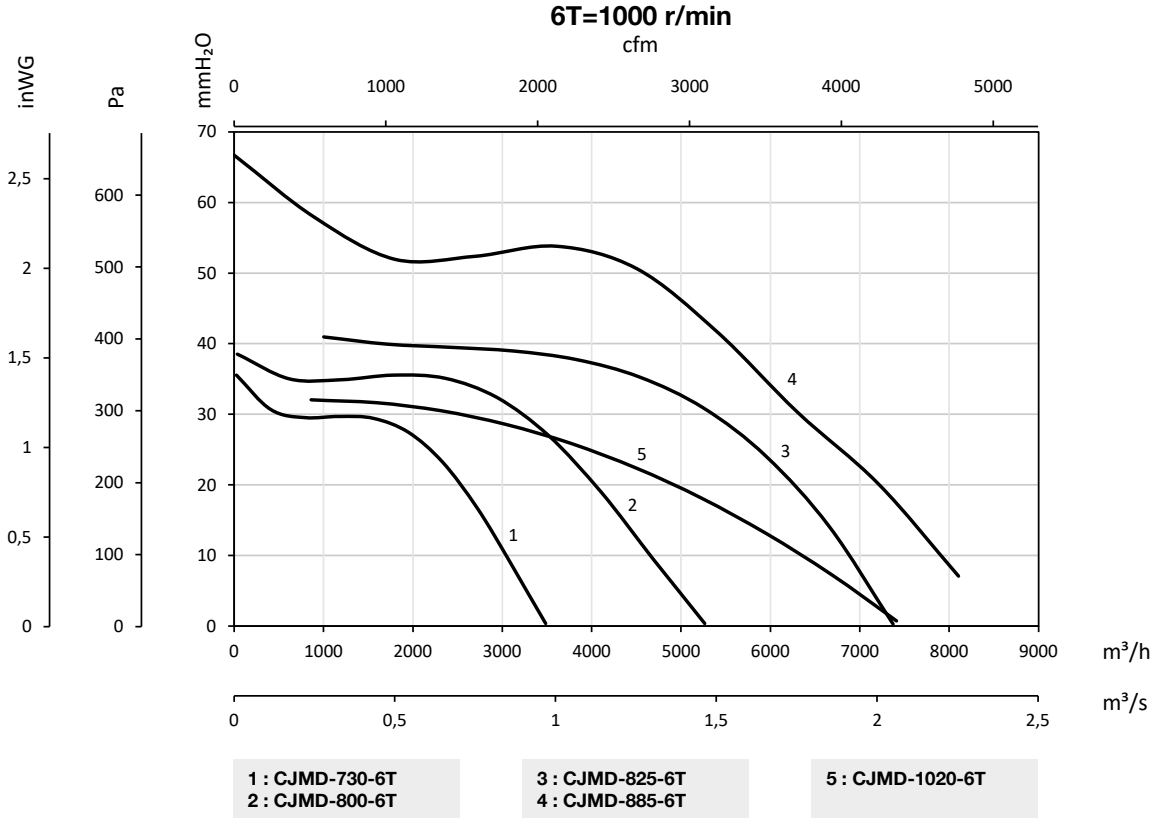
Pe= Static pressure in mm H₂O, Pa and inWG



Characteristic curves

Q= Flow rate in m³/h, m³/s and cfm

Pe= Static pressure in mm H₂O, Pa and inWG



Accessories



INT



IAT



CABLE BOX



C2V



VSD3/A-RFT
- VSD1/A-RFM



CENTRAL CO



AET



RPA



B



BD



BIC



ACE ACE/400