

CMRS-X



Belt-driven fans fitted with electric motors and a standardised set of pulleys, belts and protectors in accordance with standard ISO-13857.



Fan:

- Sheet steel casing.
- Impeller with reaction blades in extremely robust sheet steel, specially designed for transporting clean or slightly dusty air.
- Motor assembled on the general bench.
- Belt-driven fan.
- Fitted with inspection covers, except models 350, 400, 450, 500 and 560.

Motor:

- IE3 efficiency motors.
- Class F motors with ball bearings and IP55 protection.
- Three-phase 230/400 V - 50 Hz (up to 4 kW) and 400/690 V - 50 Hz (powers higher than 4 kW).
- Maximum temperature of air to be carried: -25 °C +120 °C.

Finish:

- Anti-corrosive finish of polyester resin polymerised at 190 °C, previously degreased with phosphate-free nanotechnological treatment.

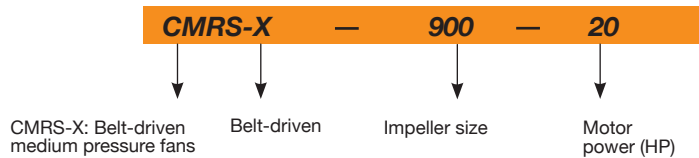
On request:

- Special windings for different voltages.
- Fan prepared for air transmission of up to 250 °C.
- Stainless steel fan.
- ATEX-certified Category 2.
- System 8 elastic coupling.



Extremely robust construction.

Order code



Technical characteristics

Model	Speed (r/min)	Max. admissible current (A)			Installed power (kW)	Max. flow rate (m3/h)	Maximum pressure (mm H ₂ O)	Approx. weight (kg)	According to ErP
		230 V	400 V	690 V					
CMRS-X-350-0.75 IE3	1575	2.17	1.25		0.55	4540	55	121	2015
CMRS-X-350-1 IE3	1755	2.82	1.62		0.75	5050	65	123	2015
CMRS-X-350-1.5 IE3	1995	4.07	2.34		1.1	5740	85	133	2015
CMRS-X-350-2 IE3	2215	5.48	3.15		1.5	6370	105	136	2015
CMRS-X-350-3 IE3	2520	7.93	4.56		2.2	7260	140	145	2015
CMRS-X-350-4 IE3	2675	10.70	6.15		3	7700	155	151	2015
CMRS-X-350-5.5 IE3	3095	13.90	8.00		4	8920	210	162	2015
CMRS-X-350-7.5 IE3	3455		10.30	5.97	5.5	9950	260	187	2015
CMRS-X-350-10 IE3	3830		13.90	8.06	7.5	11030	320	196	2015
CMRS-X-350-15 IE3	4350		20.90	12.10	11	12530	410	236	2015
CMRS-X-400-0.75 IE3	1345	2.17	1.25		0.55	5560	50	129	2015
CMRS-X-400-1 IE3	1495	2.82	1.62		0.75	6170	60	131	2015
CMRS-X-400-1.5 IE3	1700	4.07	2.34		1.1	7010	75	141	2015
CMRS-X-400-2 IE3	1885	5.48	3.15		1.5	7790	95	144	2015
CMRS-X-400-3 IE3	2150	7.93	4.56		2.2	8870	125	153	2015
CMRS-X-400-4 IE3	2390	10.70	6.15		3	9860	150	159	2015
CMRS-X-400-5.5 IE3	2640	13.90	8.00		4	10890	185	170	2015
CMRS-X-400-7.5 IE3	2945		10.30	5.97	5.5	12150	230	195	2015
CMRS-X-400-10 IE3	3265		13.90	8.06	7.5	13480	285	204	2015
CMRS-X-400-15 IE3	3710		20.90	12.10	11	15310	365	244	2015
CMRS-X-450-1 IE3	1230	2.82	1.62		0.75	7050	50	146	2015
CMRS-X-450-1.5 IE3	1400	4.07	2.34		1.1	8010	65	156	2015

Technical characteristics

Model	Speed (r/min)	Max. admissible current (A)			Installed power (kW)	Max. flow rate (m ³ /h)	Maximum pressure (mm H ₂ O)	Approx. weight (kg)	According to ErP
		230 V	400 V	690 V					
CMRS-X-450-2 IE3	1555	5.48	3.15		1.5	8890	80	159	2015
CMRS-X-450-3 IE3	1770	7.93	4.56		2.2	10130	105	168	2015
CMRS-X-450-4 IE3	1965	10.70	6.15		3	11260	130	174	2015
CMRS-X-450-5.5 IE3	2170	13.90	8.00		4	12440	160	185	2015
CMRS-X-450-7.5 IE3	2425		10.30	5.97	5.5	13880	200	210	2015
CMRS-X-450-10 IE3	2690		13.90	8.06	7.5	15390	245	219	2015
CMRS-X-450-15 IE3	3055		20.90	12.10	11	17490	320	259	2015
CMRS-X-450-20 IE3	3385		27.90	16.20	15	19400	390	281	2015
CMRS-X-500-1.5 IE3	1185	4.07	2.34		1.1	8460	55	190	2015
CMRS-X-500-2 IE3	1310	5.48	3.15		1.5	9380	70	193	2015
CMRS-X-500-3 IE3	1490	7.93	4.56		2.2	10670	90	202	2015
CMRS-X-500-4 IE3	1660	10.70	6.15		3	11880	110	208	2015
CMRS-X-500-5.5 IE3	1835	13.90	8.00		4	13130	135	219	2015
CMRS-X-500-7.5 IE3	2045		10.30	5.97	5.5	14640	170	244	2015
CMRS-X-500-10 IE3	2125		13.90	8.06	7.5	15200	180	253	2015
CMRS-X-500-15 IE3	2585		20.90	12.10	11	18470	265	293	2015
CMRS-X-500-20 IE3	2860		27.90	16.20	15	20460	325	315	2015
CMRS-X-500-25 IE3	3070		35.10	20.30	18.5	21960	375	353	2015
CMRS-X-560-2 IE3	1050	5.48	3.15		1.5	11280	55	231	2015
CMRS-X-560-3 IE3	1200	7.93	4.56		2.2	12840	75	240	2015
CMRS-X-560-4 IE3	1330	10.70	6.15		3	14280	90	246	2015
CMRS-X-560-5.5 IE3	1470	13.90	8.00		4	15780	110	257	2015
CMRS-X-560-7.5 IE3	1640		10.30	5.97	5.5	17600	140	282	2015
CMRS-X-560-10 IE3	1820		13.90	8.06	7.5	19520	170	291	2015
CMRS-X-560-15 IE3	1875		20.90	12.10	11	20080	180	331	2015
CMRS-X-560-20 IE3	2295		27.90	16.20	15	24600	270	353	2015
CMRS-X-560-25 IE3	2460		35.10	20.30	18.5	26380	310	391	2015
CMRS-X-560-30 IE3	2605		41.00	23.80	22	27940	350	408	2015
CMRS-X-630-3 IE3	1010	7.93	4.56		2.2	15860	70	294	2015
CMRS-X-630-4 IE3	1120	10.70	6.15		3	17630	85	300	2015
CMRS-X-630-5.5 IE3	1240	13.90	8.00		4	19480	105	311	2015
CMRS-X-630-7.5 IE3	1380		10.30	5.97	5.5	21730	130	336	2015
CMRS-X-630-10 IE3	1530		13.90	8.06	7.5	24100	160	345	2015
CMRS-X-630-15 IE3	1575		20.90	12.10	11	24790	170	385	2015
CMRS-X-630-20 IE3	1930		27.90	16.20	15	30360	250	407	2015
CMRS-X-630-25 IE3	2070		35.10	20.30	18.5	32560	290	445	2015
CMRS-X-630-30 IE3	2190		41.00	23.80	22	34500	325	462	2015
CMRS-X-630-40 IE3	2430		57.10	33.10	30	38260	400	505	2015
CMRS-X-710-4 IE3	840	10.70	6.15		3	18330	60	380	2015
CMRS-X-710-5.5 IE3	975	13.90	8.00		4	21210	75	391	2015
CMRS-X-710-7.5 IE3	1085		10.30	5.97	5.5	23670	95	416	2015
CMRS-X-710-10 IE3	1205		13.90	8.06	7.5	26250	120	425	2015
CMRS-X-710-15 IE3	1370		20.90	12.10	11	29820	150	465	2015
CMRS-X-710-20 IE3	1520		27.90	16.20	15	33080	190	487	2015
CMRS-X-710-25 IE3	1630		35.10	20.30	18.5	35480	215	525	2015
CMRS-X-710-30 IE3	1725		41.00	23.80	22	37590	240	542	2015
CMRS-X-710-40 IE3	1915		57.10	33.10	30	41670	300	585	2015
CMRS-X-710-50 IE3	2050		66.80	38.70	37	44700	340	732	2015
CMRS-X-800-10 IE3	940	13.90	8.06		7.5	32250	105	549	2015
CMRS-X-800-15 IE3	1060		20.90	12.10	11	36350	130	589	2015
CMRS-X-800-20 IE3	1200		27.90	16.20	15	41150	170	611	2015
CMRS-X-800-25 IE3	1290		35.10	20.30	18.5	44250	195	649	2015
CMRS-X-800-30 IE3	1370		41.00	23.80	22	46950	220	666	2015
CMRS-X-900-20 IE3	1130		27.90	16.20	15	48250	170	720	2015
CMRS-X-900-25 IE3	1200		35.10	20.30	18.5	51250	190	758	2015
CMRS-X-900-30 IE3	1280		41.00	23.80	22	54700	220	775	2015
CMRS-X-900-40 IE3	1430		57.10	33.10	30	61100	270	818	2015
CMRS-X-900-50 IE3	1520		66.80	38.70	37	64950	310	965	2015
CMRS-X-900-60 IE3	1630		80.90	46.90	45	69650	355	1000	2015
CMRS-X-1000-30 IE3	1050		41.00	23.80	22	63500	185	965	2015

Technical characteristics

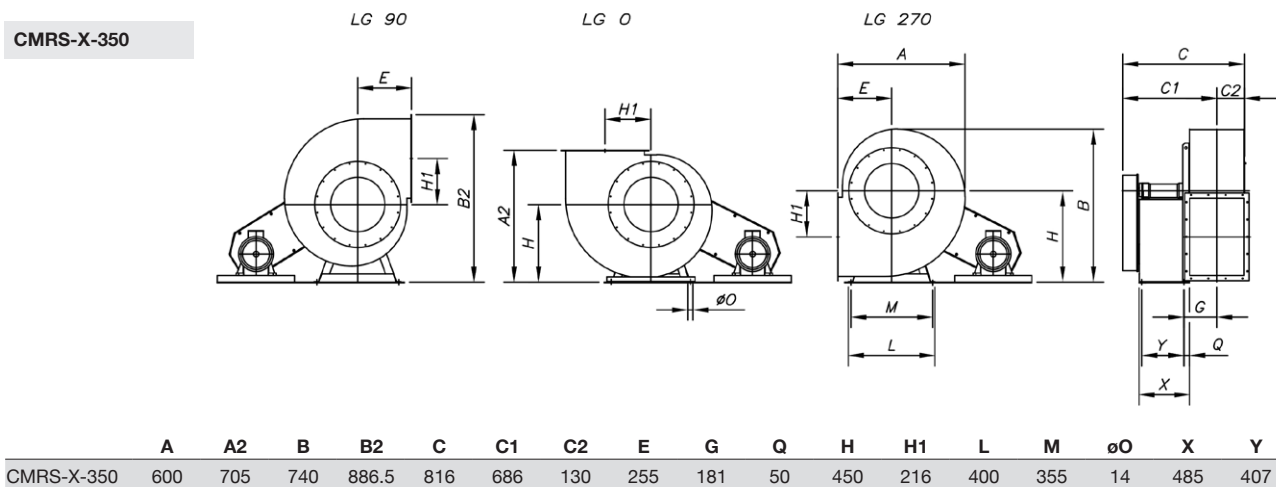
Model	Speed (r/min)	Max. admissible current (A)			Installed power (kW)	Max. flow rate (m ³ /h)	Maximum pressure (mm H ₂ O)	Approx. weight (kg)	According to ErP
		230 V	400 V	690 V					
CMRS-X-1000-40 IE3	1165	57.10	33.10	30	70450	230	1008	2015	
CMRS-X-1000-50 IE3	1250	66.80	38.70	37	75600	260	1155	2015	
CMRS-X-1000-60 IE3	1340	80.90	46.90	45	81050	300	1190	2015	
CMRS-X-1000-75 IE3	1430	98.60	57.20	55	86500	345	1235	2015	
CMRS-X-1000-100 IE3	1525	134.00	77.70	75	92250	390	1430	2015	
CMRS-X-1120-30 IE3	880	41.00	23.80	22	73900	165	1184	2015	
CMRS-X-1120-40 IE3	970	57.10	33.10	30	81500	200	1227	2015	
CMRS-X-1120-50 IE3	1040	66.80	38.70	37	87350	230	1374	2015	
CMRS-X-1120-60 IE3	1110	80.90	46.90	45	93250	265	1409	2015	
CMRS-X-1120-75 IE3	1180	98.60	57.20	55	99100	295	1454	2015	
CMRS-X-1120-100 IE3	1310	134.00	77.70	75	110050	365	1649	2015	
CMRS-X-1250-40 IE3	800	57.10	33.10	30	96000	170	1383	2015	
CMRS-X-1250-50 IE3	860	66.80	38.70	37	103200	195	1530	2015	
CMRS-X-1250-60 IE3	920	80.90	46.90	45	110400	225	1565	2015	
CMRS-X-1250-75 IE3	980	98.60	57.20	55	117600	255	1610	2015	
CMRS-X-1250-100 IE3	1090	134.00	77.70	75	130800	315	1805	2015	
CMRS-X-1250-125 IE3	1160	158.00	91.60	90	139200	355	1875	2015	
CMRS-X-1400-50 IE3	690	66.80	38.70	37	113850	160	2078	2015	
CMRS-X-1400-60 IE3	740	80.90	46.90	45	12100	180	2113	2015	
CMRS-X-1400-75 IE3	790	98.60	57.20	55	130350	210	2158	2015	
CMRS-X-1400-100 IE3	875	134.00	77.70	75	144400	255	2353	2015	
CMRS-X-1400-125 IE3	930	158.00	91.60	90	153450	290	2423	2015	
CMRS-X-1400-150 IE3	1000	193.00	112.00	110	165000	335	2698	2015	
CMRS-X-1600-75 IE3	680	98.60	57.20	55	145850	195	2635	2015	
CMRS-X-1600-100 IE3	750	134.00	77.70	75	160900	240	2830	2015	
CMRS-X-1600-125 IE3	800	158.00	91.60	90	171600	270	2900	2015	
CMRS-X-1600-150 IE3	860	193.00	112.00	110	184450	315	3175	2015	
CMRS-X-1600-175 IE3	910	231.00	134.00	132	195200	350	3235	2015	
CMRS-X-1600-220 IE3	970	280.00	162.00	160	208050	400	3305	2015	

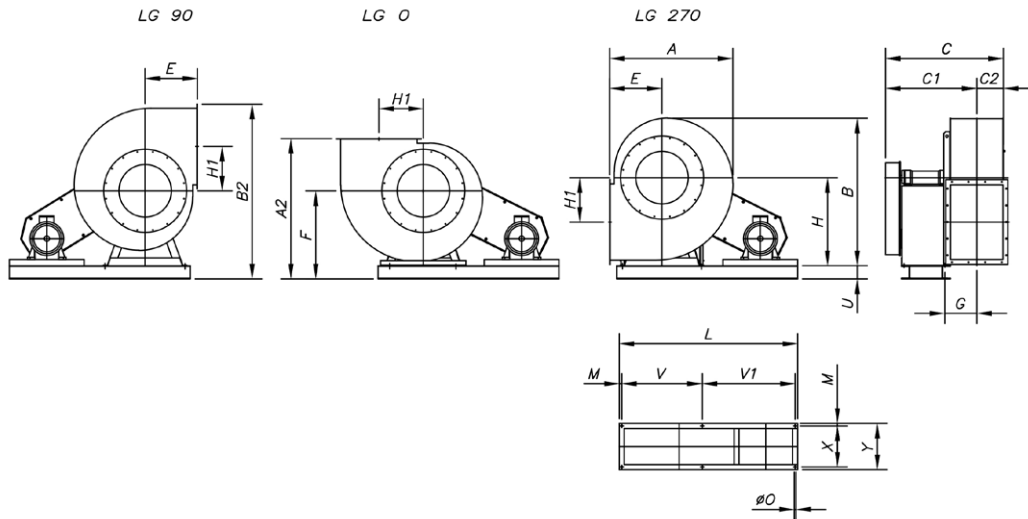


Erp. (Energy Related Products)

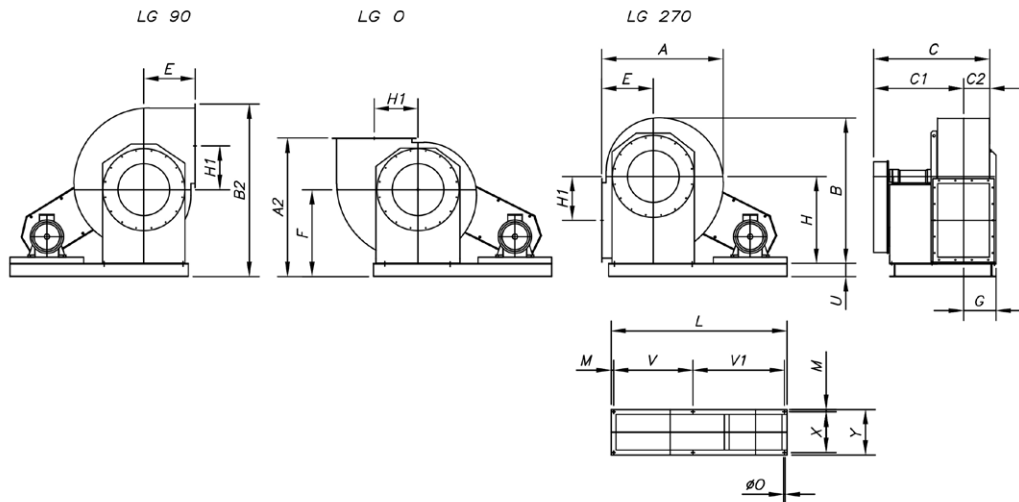
Information on Directive 2009/125/EC can be downloaded from the SODECA website or the QuickFan selector programme.

Dimensions mm



Dimensions mm
CMRS-X-400...500


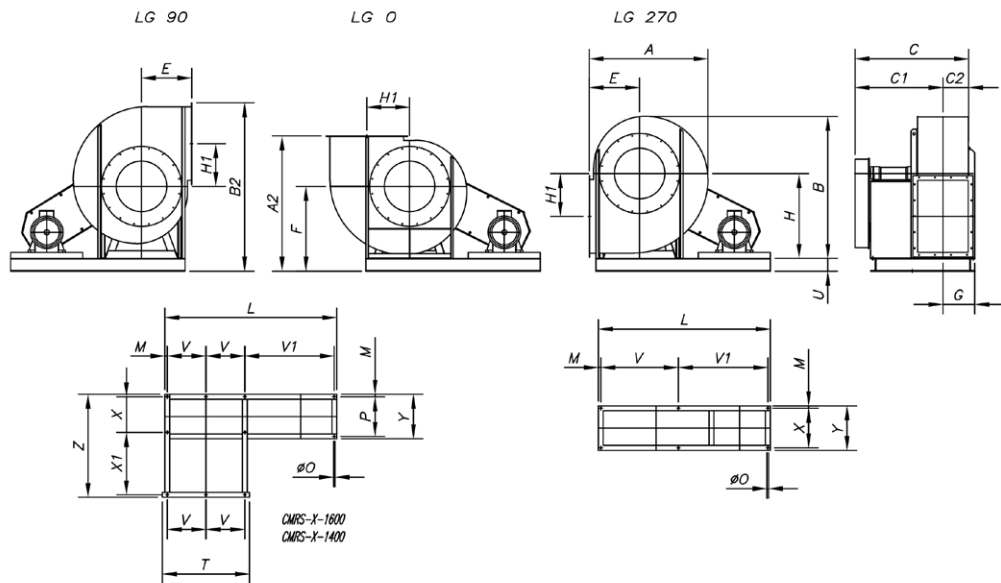
	A	A2	B	B2	C	C1	C2	E	F	G	H	H1	L	M	øO	U	V	V1	X	Y
CMRS-X-400	655	925	815	1127	869	722	147	285	640	197	500	245	1010	27	15	140	350.5	605.5	409	463
CMRS-X-450	735	1020	915	1241.5	902	739	163	320	700	215	560	275	1010	27	15	140	350.5	605.5	409	463
CMRS-X-500	832	1100	1000	1336.5	1047	864	183	360	740	235	600	303	1050	27	18	140	364	632	489	543

CMRS-X-560...630


	A	A2	B	B2	C	C1	C2	E	F	G	H	H1	L	M	øO	U	V	V1	X	Y
CMRS-X-560	940	1210	1126	1476.5	1127	922	205	400	810	255	670	332	1370	27	15	140	635	681	967	1021
CMRS-X-630	1052	1340	1260	1632	1183	953	230	450	890	280	750	373	1470	27	15	140	705	711	1016	1070

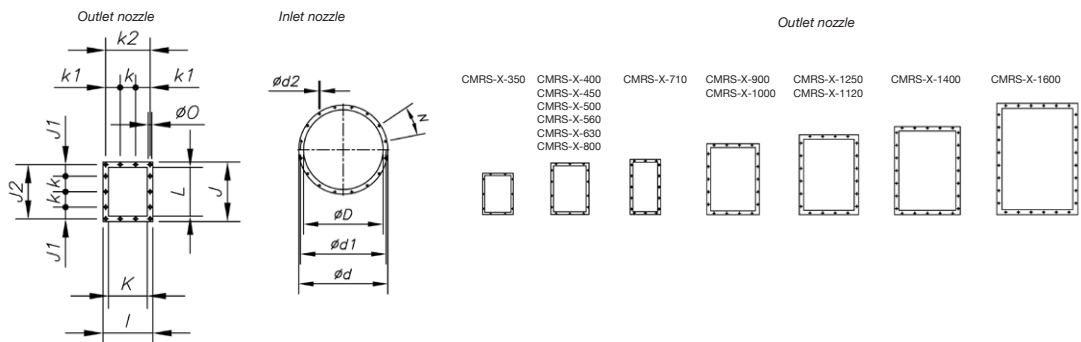
Dimensions mm

CMRS-X-710...1600



	A	A2	B	B2	C	C1	C2	E	F	G	H	H1	L	M	øO	U	T	V	V1	X	x1	Y	P	Z
CMRS-X-710	1160	1490	1416	1824.5	1283	1026	257	500	990	314	850	427	1633	27	15	140	-	772	807	1151	-	1205	-	-
CMRS-X-800	1312	1455	1591	1833.5	1344	1057	287	560	895	365	950	478	1768	27	15	140	-	867	847	1245	-	1299	-	-
CMRS-X-900	1470	1620	1780	2037	1414	1092	322	630	990	399	1060	538	2013	27	15	140	-	967	992	1314	-	1368	-	-
CMRS-X-1000	1656	1820	1993	2280.5	1612	1252	360	710	1110	458	1180	607	2164	27	15	160	-	1065	1045	1468	-	1522	-	-
CMRS-X-1120	1854	2040	2222	2559	1845	1441	404	800	1240	500	1320	684	2334	27	15	180	-	1196	1084	1732	-	1786	-	-
CMRS-X-1250	2084	2310	2517	2883.5	1941	1489	452	900	1410	549	1500	770	2630	27	15	220	-	1328	1248	1829	-	1883	-	-
CMRS-X-1400	2305	2500	2815	2934.5	2270	1764	506	1000	1500	603	1700	854	3150	35	24	180	1690	725	1630	780	1152	990	920	2000
CMRS-X-1600	2655	2800	3145	3262.5	2580	1746	568	1120	1680	685	1900	956	3340	35	28	180	1950	820	1120	920	1305	990	920	2295

Outlet and inlet nozzle

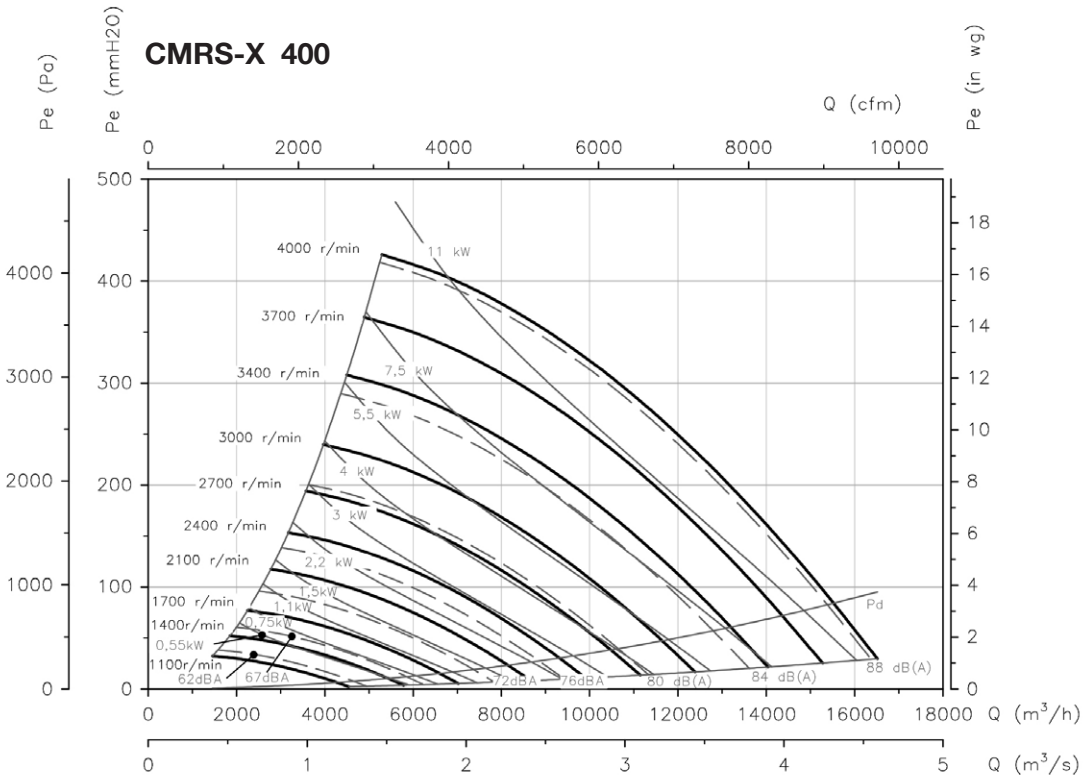
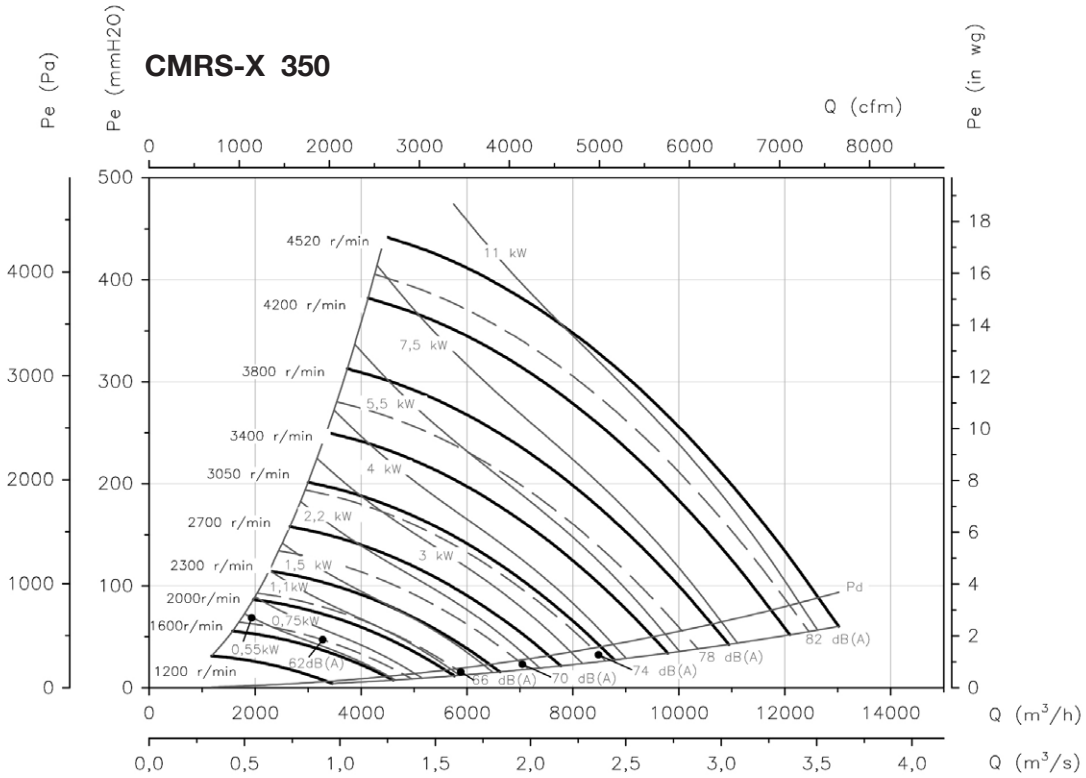


	øD*	ød	ød1	ød2	N	I	J	J1	J2	K	k	k1	k2	L	øO
CMRS-X-350	360	440	405	10	8x45°	336	441	77.5	405	256	125	87.5	300	361	12
CMRS-X-400	405	485	448	10	12x30°	368	484	36.5	448	288	125	41	332	404	12
CMRS-X-450	455	535	497	10	12x30°	402	533	61	497	322	125	58	366	453	12
CMRS-X-500	505	585	551	10	12x30°	441	587	88	551	361	125	77.5	405	507	12
CMRS-X-560	565	665	629	10	12x30°	504	669	74.5	629	404	160	72	464	569	14
CMRS-X-630	635	735	698	12	12x30°	553	738	109	698	453	160	96.5	513	638	14
CMRS-X-710	715	815	775	12	16x22°30'	607	815	67.5	775	507	160	123.5	567	715	14
CMRS-X-800	805	905	861	12	16x22°30'	689	921	135.5	871	569	200	119.5	639	801	14
CMRS-X-900	905	1005	958	12	16x22°30'	758	1018	84	968	638	200	54	708	898	14
CMRS-X-1000	1007	1107	1067	12	24x15°	835	1127	138.5	1077	715	200	92.5	785	1007	14
CMRS-X-1120	1130	1250	1200	12	24x15°	941	1270	105	1210	801	200	140.5	881	1130	18
CMRS-X-1250	1260	1380	1337	12	24x15°	1038	1407	173.5	1347	898	200	189	978	1267	18
CMRS-X-1400	1410	1530	1491	10	32x11°15'	1147	1561	150.5	1501	1007	200	143.5	1087	1421	18
CMRS-X-1600	1610	1730	1663	12	32x11°15'	1290	1753	141.5	1683	1130	200	110	1220	1593	22

* Recommended nominal tube diameter

Characteristic curves

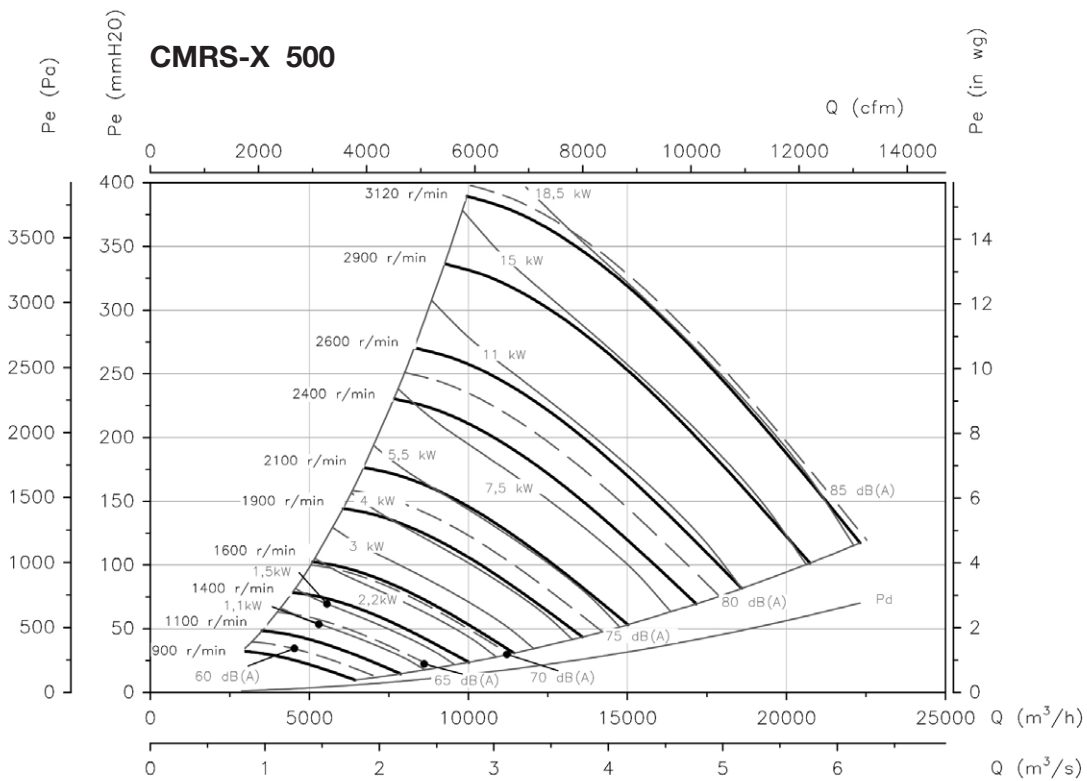
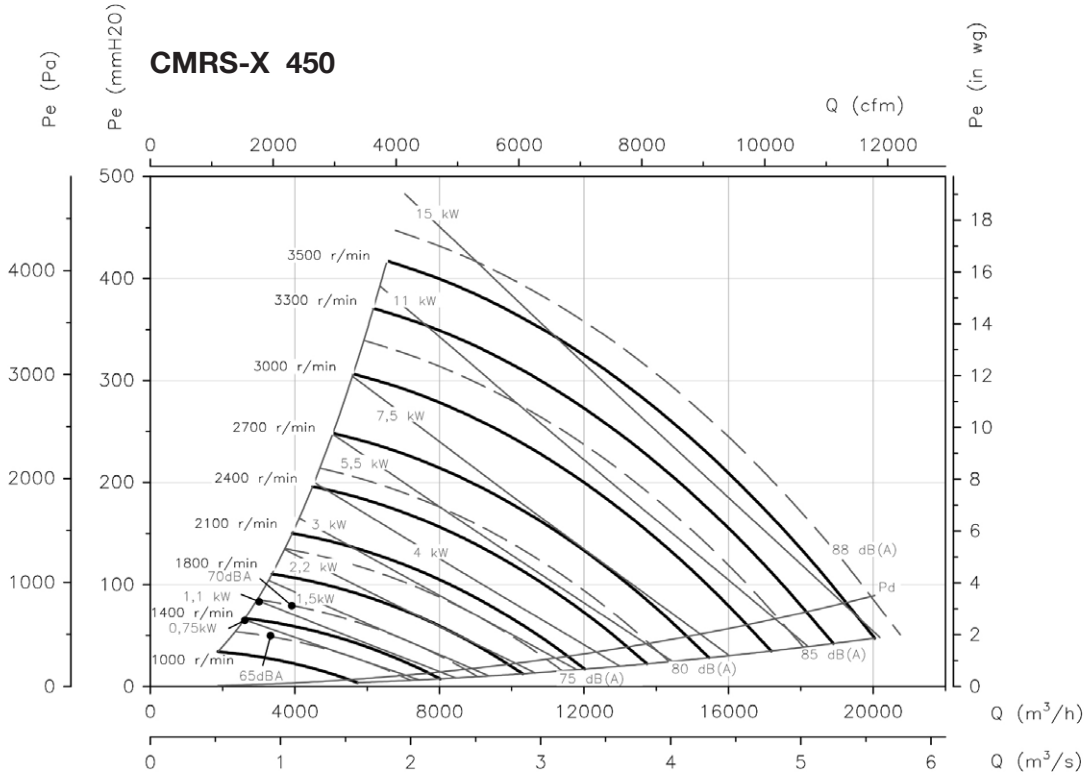
 Q= Flow rate in m³/h, m³/s and cfm

 Pe= Static pressure in mm H₂O, Pa and inwg


Characteristic curves

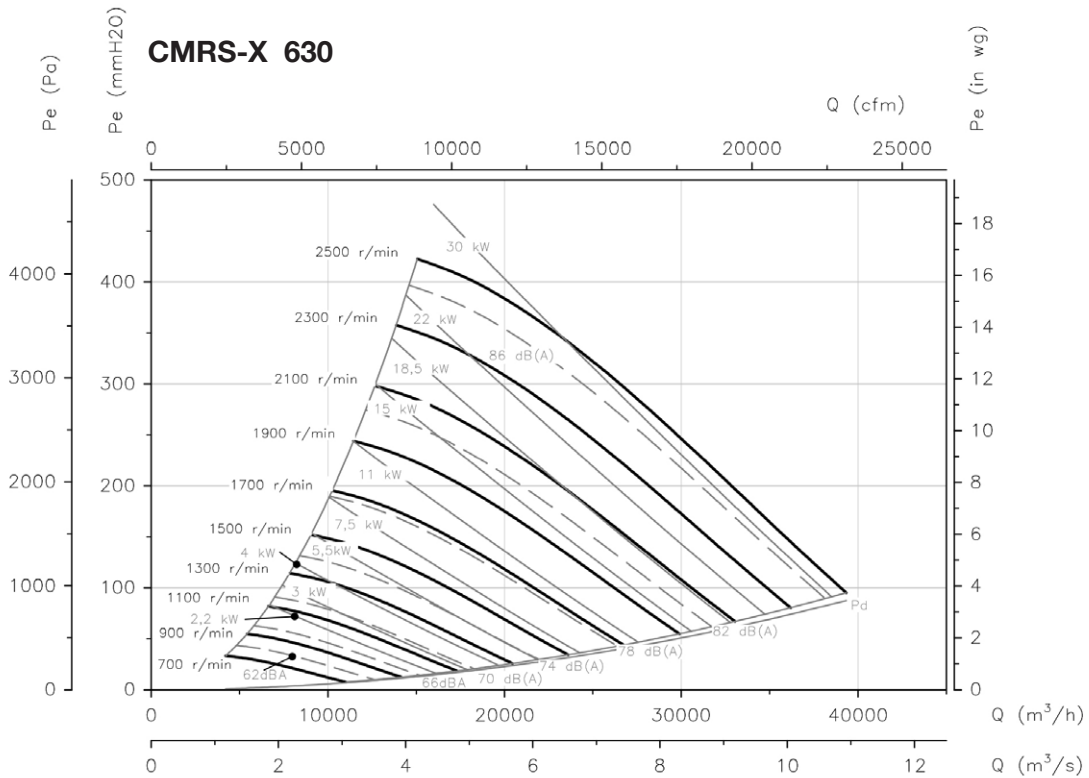
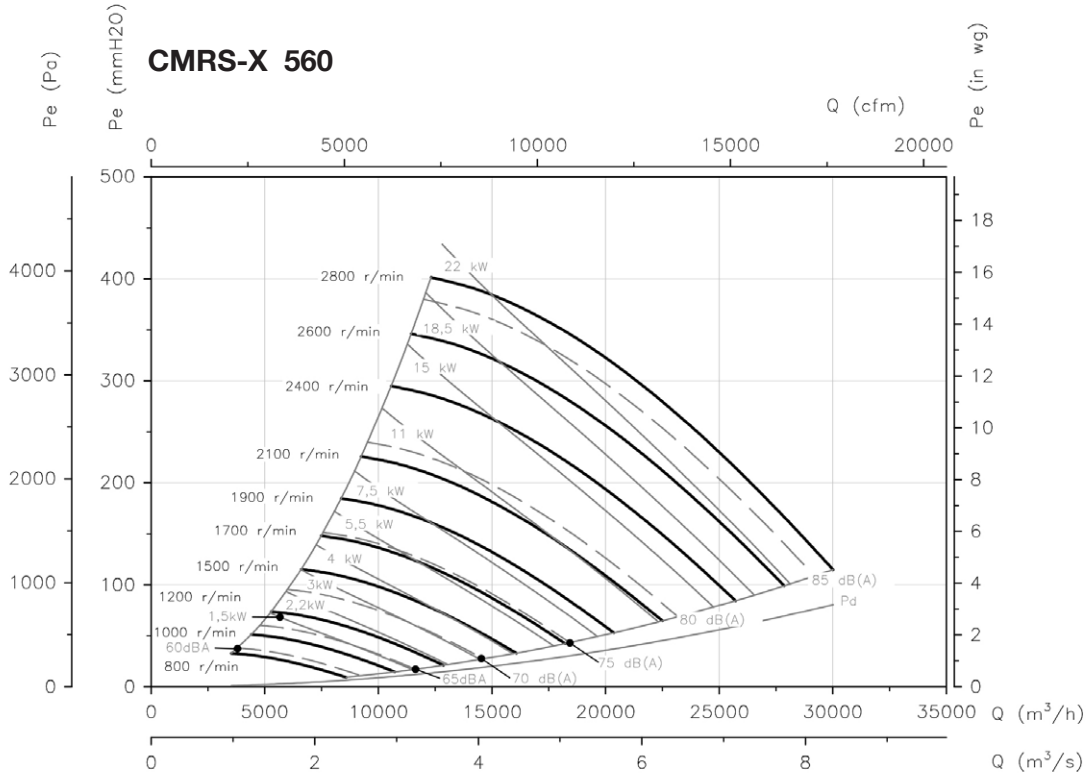
Q= Flow rate in m³/h, m³/s and cfm

Pe= Static pressure in mm H₂O, Pa and inwg



Characteristic curves

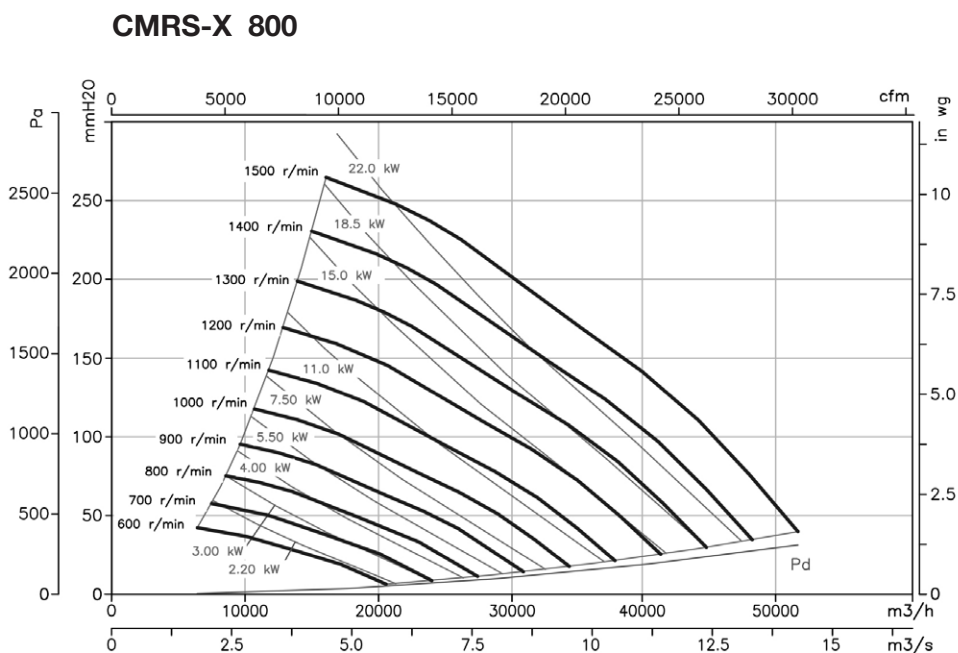
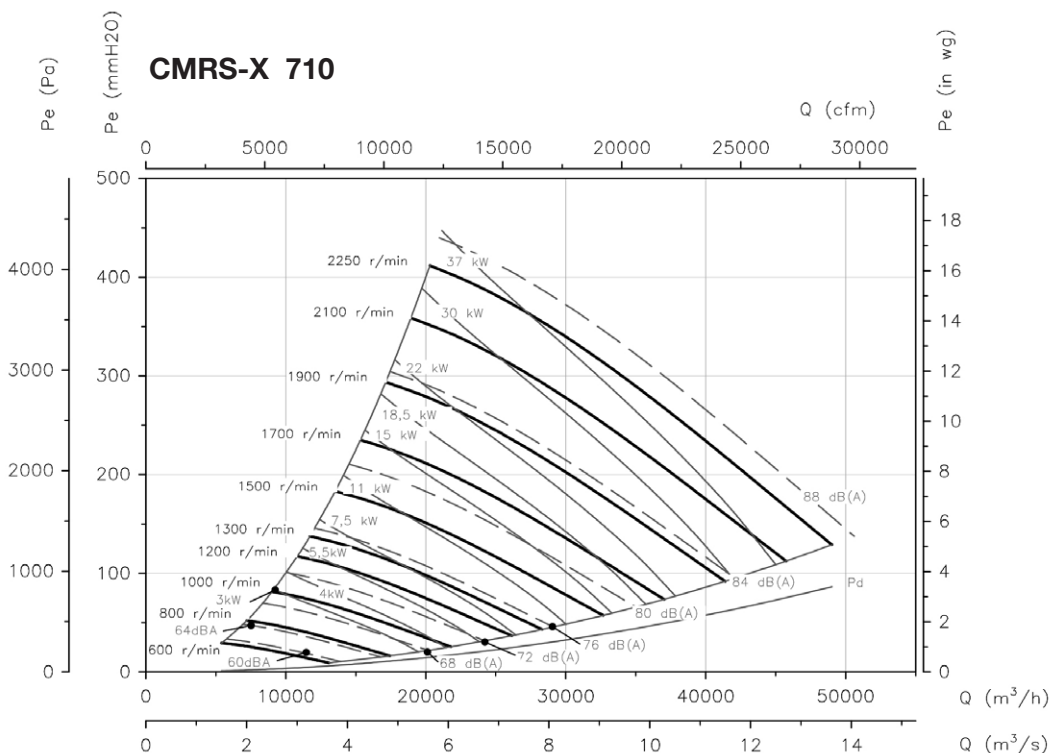
 Q= Flow rate in m³/h, m³/s and cfm

 Pe= Static pressure in mm H₂O, Pa and inwg


Characteristic curves

Q= Flow rate in m³/h, m³/s and cfm

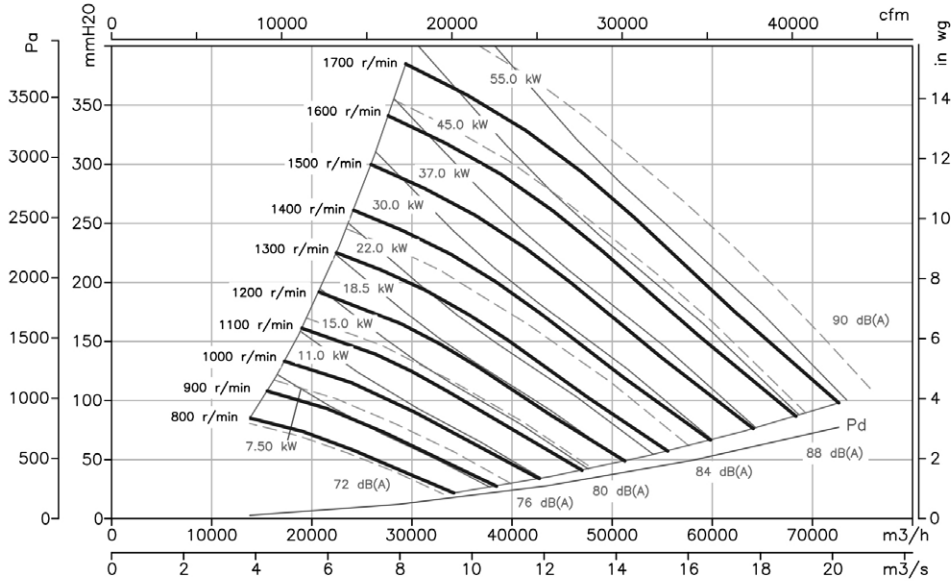
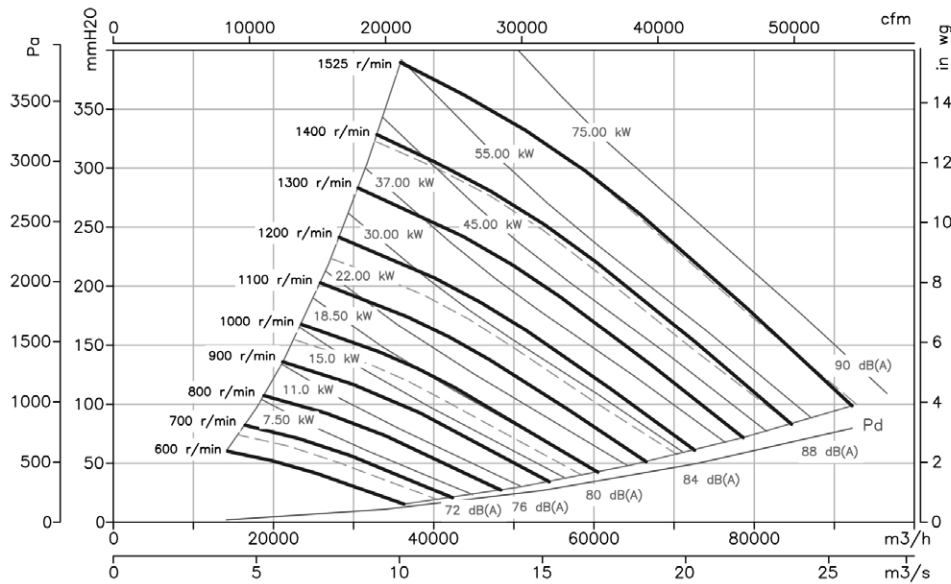
Pe= Static pressure in mm H₂O, Pa and inwg



Characteristic curves

 Q= Flow rate in m³/h, m³/s and cfm

 Pe= Static pressure in mm H₂O, Pa and inwg

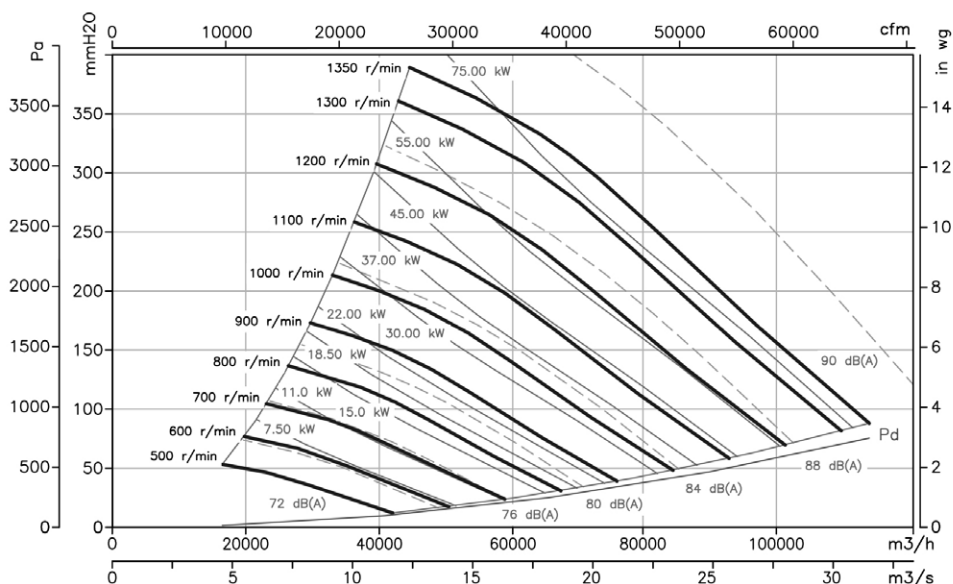
CMRS-X 900

CMRS-X 1000


Characteristic curves

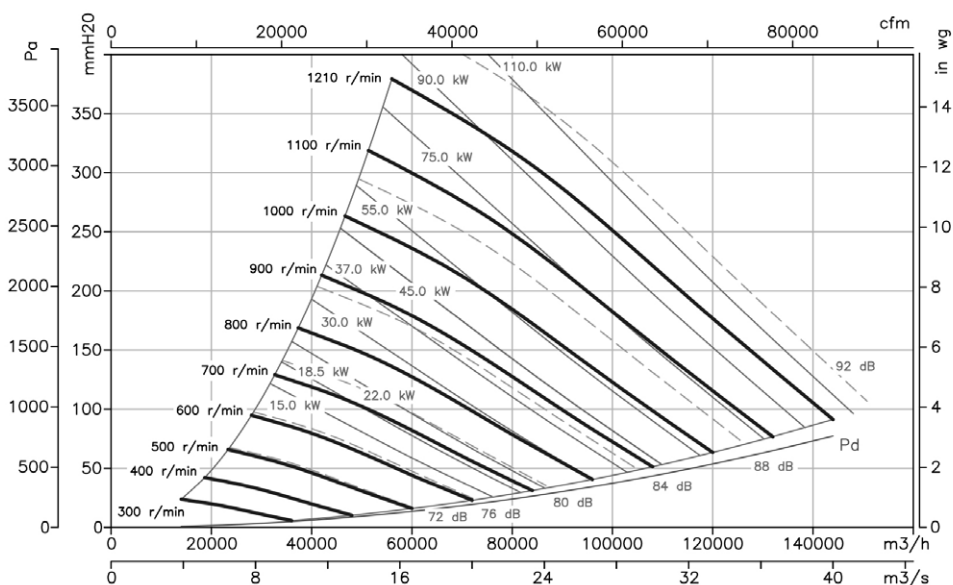
Q= Flow rate in m³/h, m³/s and cfm

Pe= Static pressure in mm H₂O, Pa and inwg

CMRS-X 1120



CMRS-X 1250



Orientation

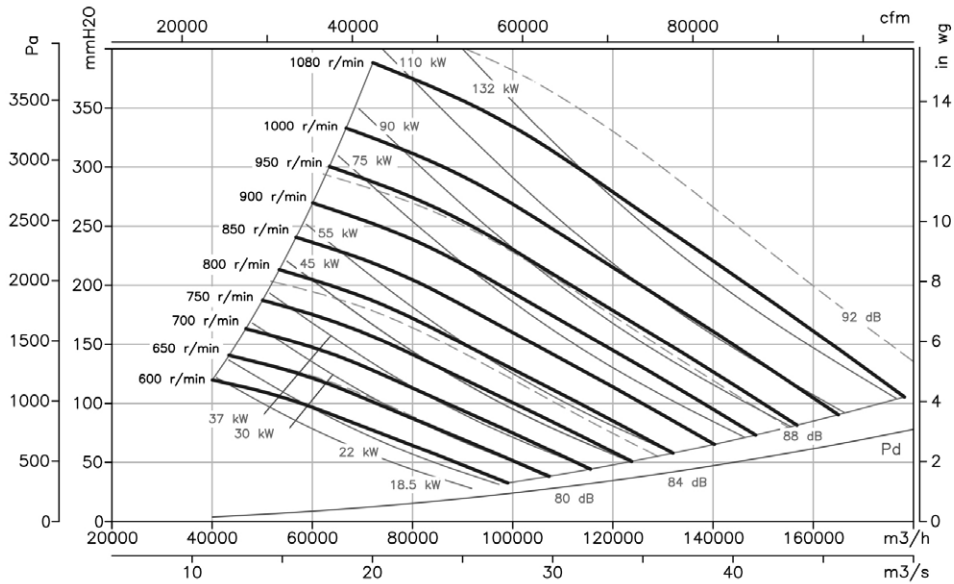
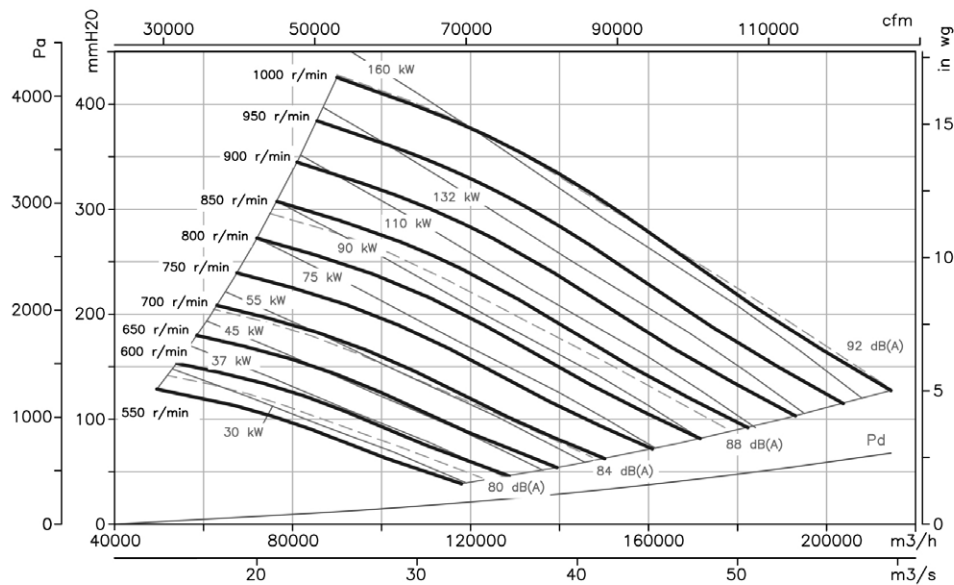
Standard supply LG 270



Characteristic curves

 Q= Flow rate in m³/h, m³/s and cfm

 Pe= Static pressure in mm H₂O, Pa and inwg

CMRS-X 1400

CMRS-X 1600

Accessories

See accessories section.

