

# TUB

**In-line extractor fans with a detachable body and small size for high temperatures (250 °C), designed for operation inside chimney ducts.**



- Fan:**
- Sheet steel casing.
  - Impeller with blades made of galvanised sheet steel.
  - Closure that allows the body to be removed easily and quickly.
  - External terminal box.

- Motor:**
- Motor with long-life ball bearings and IPX4 protection.
  - Single-phase 220/-240 V-50 Hz.
  - Operating temperature: -10 °C +250 °C.

- Finish:**
- Anti-corrosive finish on heat-resistant paint.

## Order code

**TUB — 200**

TUB: In-line extractor fans with a detachable body and small size for high temperatures (250 °C)

Nozzle diameter in mm

## Accessories

See accessories section.



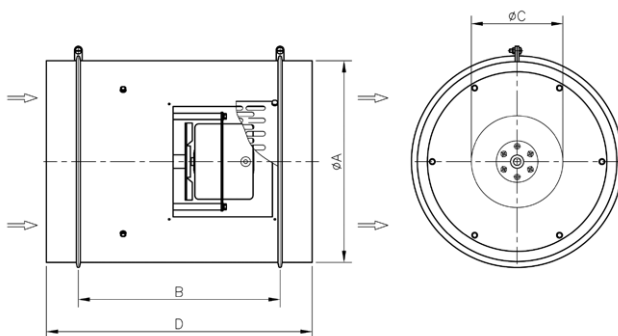
STUB

## Technical characteristics

	Speed (r/min)	Max. admissible current 220-240 V	Max. electric power (kW)	Maximum flow rate (m <sup>3</sup> /h)	Irradiated sound level (*) (dBA)	Approx. weight (kg)
TUB-200	2780	0.30	0.068	250	39	7
TUB-225	2765	0.32	0.075	330	41	8
TUB-250	2760	0.35	0.080	400	43	9
TUB-315	2600	0.85	0.180	830	48	13

(\*) Irradiated sound pressure levels obtained at a distance of 3 metres in a free field, with rigid inlet/exhaust tubes.

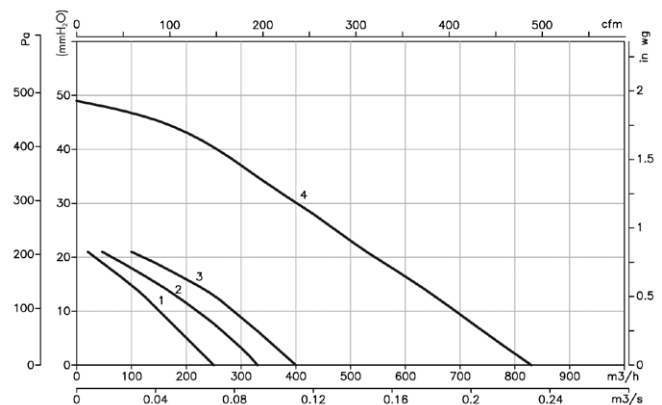
## Dimensions mm



	øA	B	øC	D
TUB-200	200	255	116.5	355
TUB-225	225	255	116.5	355
TUB-250	250	255	116.5	355
TUB-315	315	315	142.5	415

## Characteristic curves

Q= Flow rate in m<sup>3</sup>/h, m<sup>3</sup>/s and cfm.  
Pe= Static pressure in mm H<sub>2</sub>O, Pa and inwg



1: TUB-200      3: TUB-250  
2: TUB-225      4: TUB-315