

CDF 10 – 40 – 50 – 70 STATIONARY DEHUMIDIFIERS

Dehumidification for preserving and protecting your valuables



Dantherm[®]
CONTROL YOUR CLIMATE

SIMPLE, ECONOMICAL PRESERVATION AND PROTECTION

Dantherm's CDF range of powerful dehumidifiers provides the ideal means of preserving and protecting your valuables from humidity damage. They are suited for humidity control in warehouses, museums, churches, archives and waterworks.

Rot, fungus, bacteria and corrosion quickly spread in rooms with temperature fluctuations. The CDF dehu-

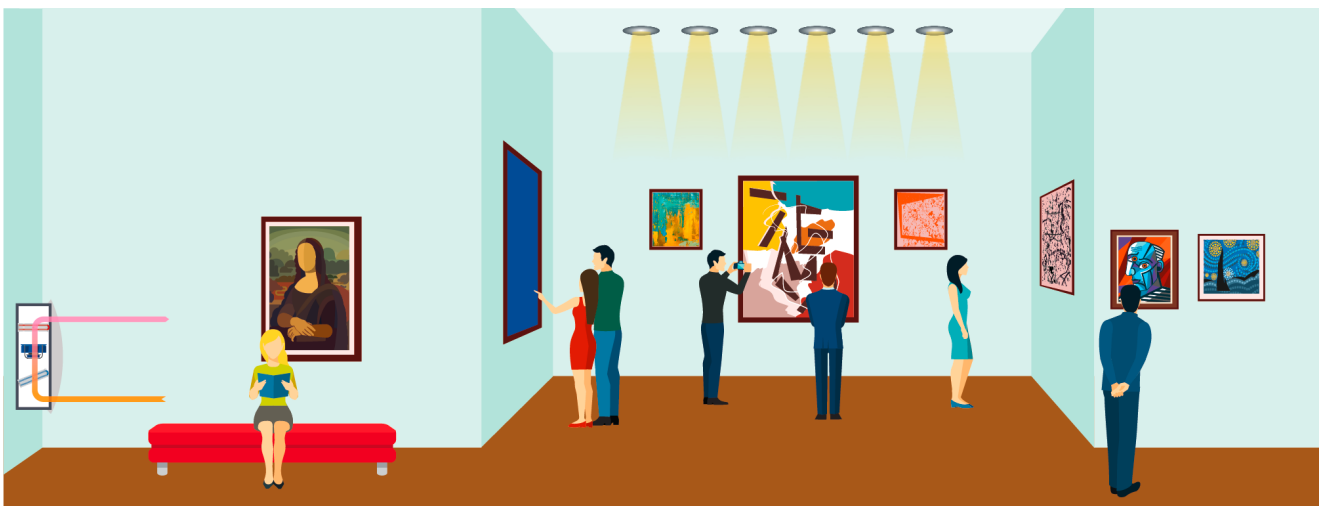
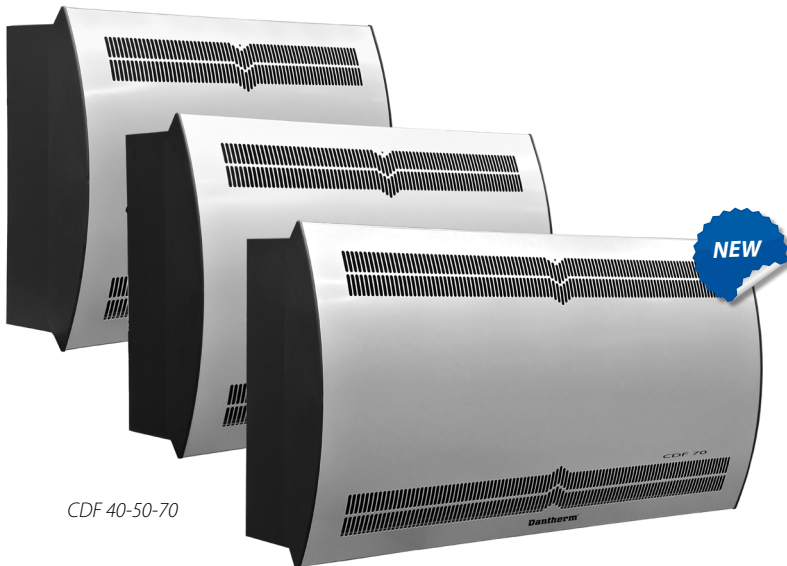
midifiers keep equipment, furnishings, materials and buildings intact and provides a healthier indoor climate.

Economical dehumidification

Our CDF range are economical solutions as the energy consumption is low and the latent heat from the dehumidification process is converted into heat supply to the room.

Modern design

The modern design, functionality and easy operation also make the CDF range ideal for archives, libraries and other storage areas where the appearance of the facilities is almost as important as the preservation and protection of the stored material.



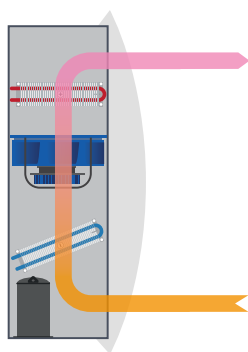
NEW MODELS WITH MANY COMMUNICATION OPTIONS

CDF 40-50-70

Dantherm has developed a new range of wall-mounted, easy-to use CDF 40-50-70 dehumidifiers with many new features such as an advanced remote control and new communication options. Combined with highly efficient fans with low SFP value, high-efficiency fans with low SFP value, high-efficiency compressors and monitoring options, the new CDF range offers exceptionally economical operation.

How it works

The CDF dehumidifier recirculates the air through an evaporator, removes the moisture and delivers dry, warm air back to the room. In this way the CDF dehumidifier maintains a comfortable humidity and minimises condensation. Additional room heating can be obtained with optional water or electric heating coils.

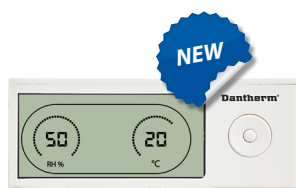


Communication options

The new CDF range offers advanced control possibilities ideal for e.g. museums as the RS 485 gate allows communication with BMS systems (Modbus RTU). A USB gate allows history data logging for easy fault detection.

New remote control DRC1

A newly developed remote control allows reading and setting of relative humidity and temperature, alarms and service information. To avoid unintended change of settings the remote control can be locked.



DRC1 remote control

Key features CDF 40-50-70:

- Low sound level
- Low energy consumption
- Modern design
- Optional remote control, DRC1
- Integrated control of heating and humidity
- BMS communication (Modbus RTU)

Accessories CDF 40-50-70:

- Wireless remote control DRC1
- Floor mounting kit
- Water heating coils
- Control valve for water heating coil
- Electric heating coils
- Exhaust fans

Accessories CDF 10:

- Watertank

Model	CDF 10	CDF 40	CDF 50	CDF 70
Air flow (m ³ /h)	220	400	680	900
Dehumidification capacity at 20° C / 60% RH (l/24 h)	4,3	16,3	34,8	42,5
Power supply (V)	1x230/50Hz	1x230/50Hz	1x230/50 Hz	1x230/50 Hz
Sound level (dB(A))	46	46	47	50
Operating range (% RH)	40-100	40-100	40-100	40-100
Operating range (°C)	3-30	3-32	3-32	3-32
Height (mm)	600*	770	770	770
Width (mm)	535	1010	1160	1495
Depth (mm)	240	328	328	328
Weight (kg)	28*	56,5	65	75,5

* Without watertank

ABOUT THE DANTHERM GROUP

Control your climate

The Dantherm Group is a leading provider of climate control products and solutions. The group companies have more than 60 years of experience in designing and manufacturing high quality and energy efficient equipment for heating, cooling, drying and ventilation for a wide range of mobile and fixed applications.

Every year Dantherm Group uses significant resources on product development to stay in the forefront and are constantly adapting the products to changing market demands and legislation.

The Dantherm Group has a number of strong brands with well established market positions in the mobile, pool, commercial/industrial and residential markets.

Dantherm Group customers benefit from our comprehensive knowledge base and the experience and expertise that we have gained from more than three million climate control products and solutions sold worldwide.

Global reach

The Dantherm Group is headquartered in Skive, Denmark and has an own market presence in Norway, Sweden, United Kingdom, Germany, Switzerland, Italy, Spain, Poland, Russia, China and United Arab Emirates.

In 2016 the Dantherm Group was acquired by the Swedish equity fund Procuritas Capital Investors V LP – a strong owner with the ambition to continue the development and growth of the company.

AERIAL[®]

 **calorex**

Dantherm[®]

 **MASTER**[®]
CLIMATE SOLUTIONS

Dantherm A/S

Marienlystvej 65 | DK-7800 Skive
Tel. +45 96 14 37 00 | Fax +45 96 14 38 20
info@dantherm.com | www.dantherm.com

