



Characteristics



- High performance industrial air curtains for vertical or horizontal installations for large industrial doors. Available in 1.5, 2.0, 2.5, 3.0 and 3.5 meters length. Easy dockable modules to reach large dimensions.
- Heavy self-supporting casing construction made of galvanized steel plate, finished in structural epoxy-polyester painting white colour RAL9016 as standard. Other colours are available on request.
- Double outlet with Coanda effect to achieve larger and efficient air jet. Anodized aluminium outlet vanes, airfoil shaped, adjustable from 0 to 15° each side.
- High efficiency and low noise axial fans, driven with external rotor motor single phase 230V. Optionally three phase 400V. Maintenance free.
- "P" type with water heated coil. "A" type without heating, air only. "E" type with electrical shielded elements with contactors included.
- Regulation not included. Optional: Basic regulation with Plug&Play control panel provided with 5-speed selection, 10m RJ45 cable and remote control. Advanced regulation with Clever (automatic, intelligent, energy saving, Modbus RTU for BMS...).

Specifications

AIR ONLY

Model	Airflow m ³ /h	Fans Power 400Vx3-50Hz kW	Fans Current 400Vx3-50Hz A	Noise Level (5 m) dB(A)	Weight kg
MXW 1500 A 400Vx3	7000	0,66	1,32	60	79
MXW 2000 A 400Vx3	10500	0,99	1,98	61	103
MXW 2500 A 400Vx3	14000	1,32	2,64	62	126
MXW 3000 A 400Vx3	17500	1,65	3,30	63	150
MXW 3500 A 400Vx3	20800	1,98	3,96	64	173

ELECTRICAL HEATED

Model	Airflow m ³ /h	Electrical Heating Capacity 400Vx3-50Hz kW	Fans Power 400Vx3-50Hz kW	Fans Current 400Vx3-50Hz A	Noise Level (5 m) dB(A)	Weight kg
MXW 1500 E 400Vx3	7000	15/22,5/37,5 (*)	0,66	1,32	60	96
MXW 2000 E 400Vx3	10500	20/30/50 (*)	0,99	1,98	61	133
MXW 2500 E 400Vx3	14000	30/40/70 (**)	1,32	2,64	62	167
MXW 3000 E 400Vx3	17500	30/50/80 (**)	1,65	3,30	63	201
MXW 3500 E 400Vx3	20800	30/60/90 (**)	1,98	3,96	64	231

(*) 2 separated power supplies.

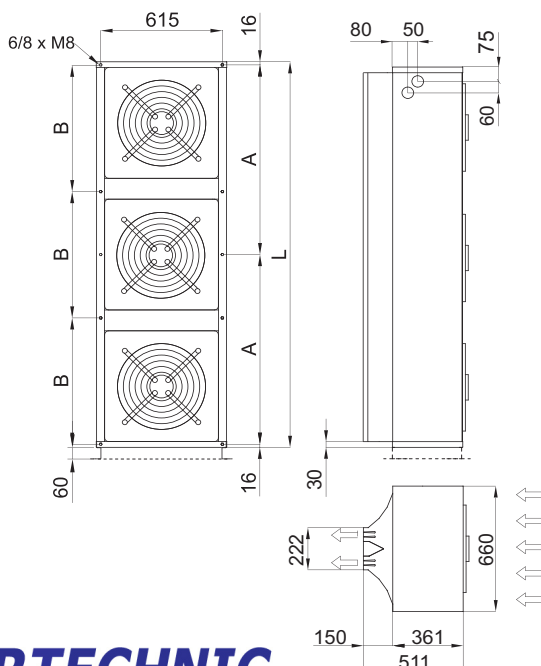
(**) 3 separated power supplies.

WATER HEATED

Model	Airflow m ³ /h	P86			P64			Fans Power 400Vx3-50Hz kW	Fans Current 400Vx3-50Hz A	Noise Level (5 m) dB(A)	Weight kg
		Water Heating Capacity 80/60°C kW	Water Drop Pressure 80/60°C Pa	Water Connections 80/60°C	Water Heating Capacity 60/40°C kW	Water Drop Pressure 60/40°C Pa	Water Connections 60/40°C				
MXW 1500 P 400Vx3	6800	41,39	12040	2x1 1/4"	34,09	12620	2x1 1/4"	0,66	1,32	59	95
MXW 2000 P 400Vx3	10200	61,25	16920	2x1 1/4"	50,16	13660	2x1 1/4"	0,99	1,98	60	126
MXW 2500 P 400Vx3	13600	80,05	13940	2x1 1/4"	66,19	14600	2x1 1/4"	1,32	2,64	61	158
MXW 3000 P 400Vx3	17000	99,88	16260	2x1 1/4"	82,22	14560	2x1 1/4"	1,65	3,30	62	189
MXW 3500 P 400Vx3	20300	118,28	14080	2x1 1/4"	97,92	14910	2x1 1/4"	1,98	3,96	63	221

Water heated: P86 2 rows coil, P64 3 rows coil.

Dimensions



	L	A	B
MXW 1500	1500	734	-
MXW 2000	2000	984	-
MXW 2500	2500	1234	-
MXW 3000	3040	-	1002,5
MXW 3500	3620	-	1196