



# All-in-One for better looking ducts



- **VISUALLY MORE APPEALING**
- **ALWAYS OPEN EVEN AT SHUT DOWN (99%)**
- **MINIMUM STRAIN WHEN STARTING UP**
- **BUILT IN HOOPS MEANS FASTER INSTALLATION**
- **MINIMUM TOOLS NEEDED**
- **BOTH ALUMINUM RAILS AND CABLE**
- **DUCT IS SUPPORTED 180°**
- **FULLY SUPPORTED ELBOWS**

Certificate of  
Registration  
File Number:

A13655



ISO9001:2000

**FabricAir**

## TYPE 1, SINGLE CABLE



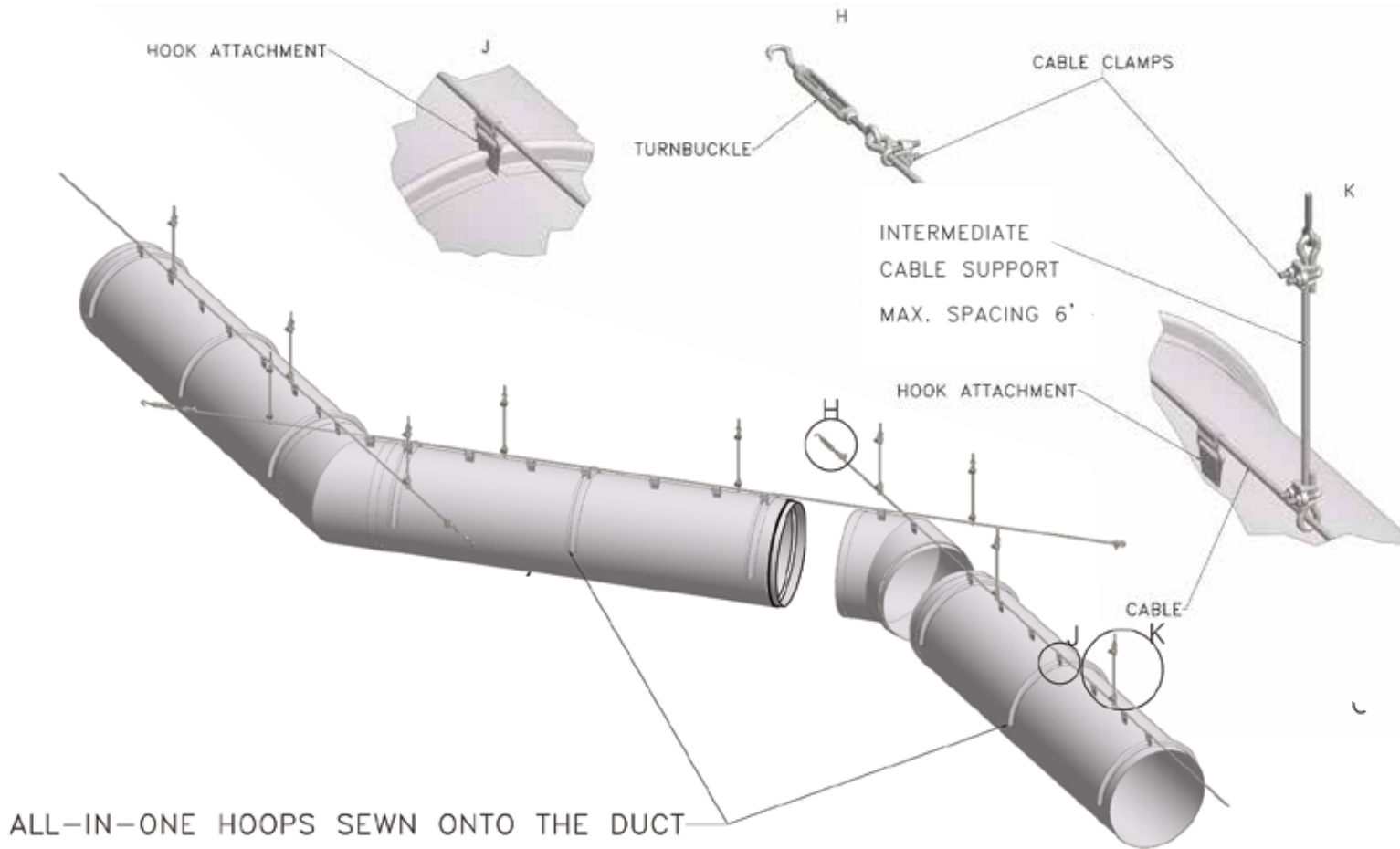
All-in-One is supplied in the most cost-effective version installed on cables, as seen in the illustration.

# Cable

When using the All-in-One solution on a FabricAir® system, the ducts are kept open and stretched out even when the air is turned off. Furthermore, this solution ensures that starting up the system causes a minimum of strain, which is not always the case with a duct that is hanging deflated. A flat duct (classic) is closed, meaning

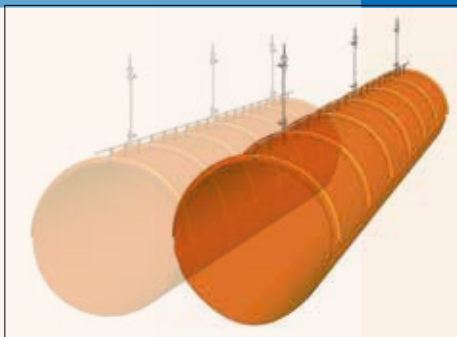
that the air has to push itself through the duct at start-up. This often results in the very straining popping effect.

All-in-One is suspended by a single cable system (type 1) or a single H-rail system (type 5 and 8).

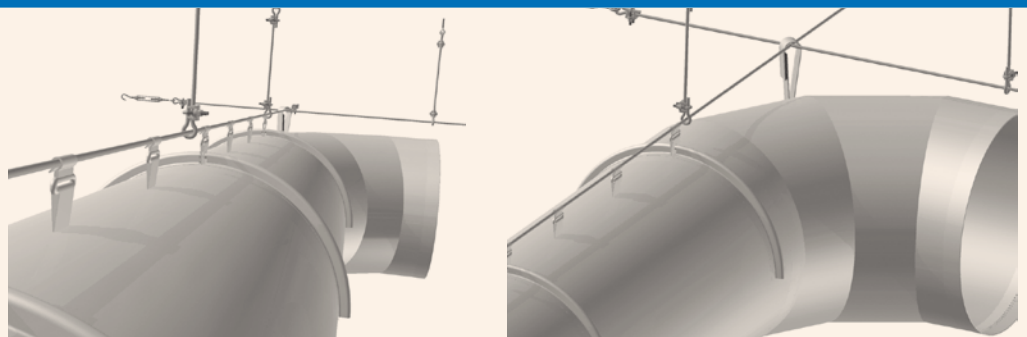


Only a slight change of the circular shape occurs with All-in-One when the air is turned off.

Extra support is supplied for 90° elbows.



With air      Without air

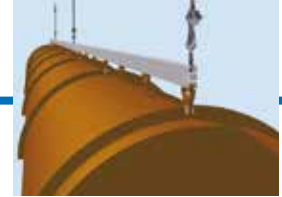


# Aluminum sliding rail

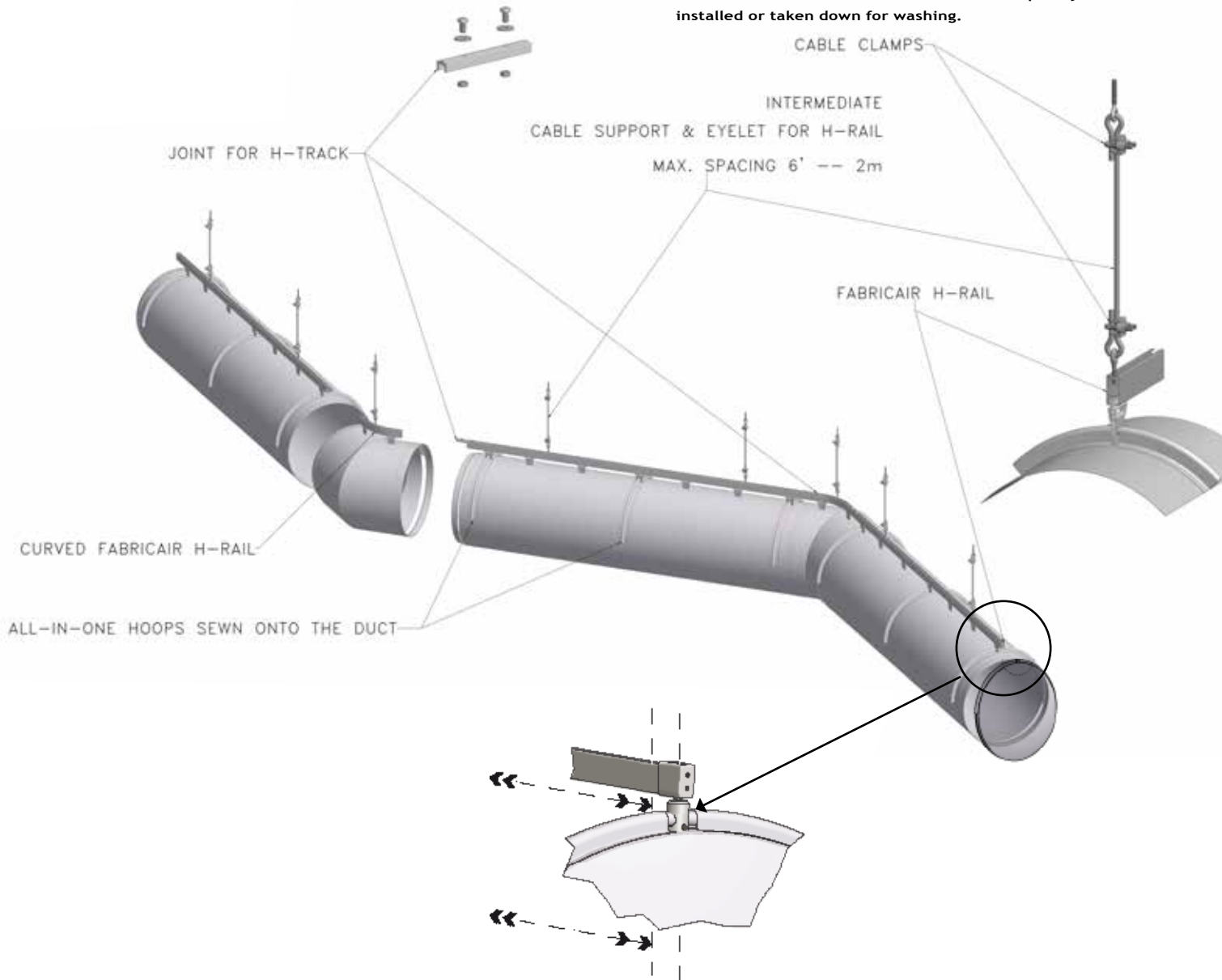
**TYPE 5, SINGLE H-RAIL**



**TYPE 8, SINGLE H-RAIL**



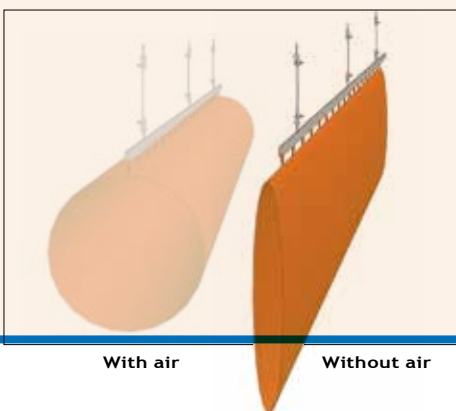
All-in-One on an H-rail. Ducts on H-rails are quickly installed or taken down for washing.



Regular systems (Classic H-rail) with single suspension are not round but become flat when the air is turned off. This is not the case with All-in-One systems.

All-in-One ensures that the ducts are always stretched out, even when there is no air in the system.

With All-in-One, support hoops are mounted at fixed intervals. The hoops are removable and are removed prior to washing.

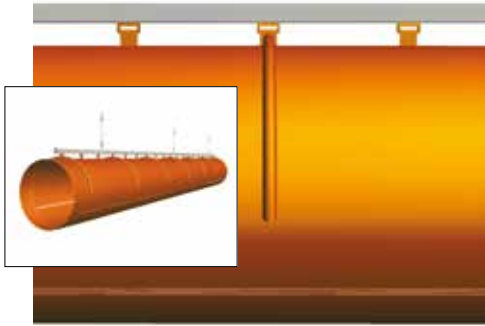


With air

Without air



# FabricAir® Ducts with All-in-One

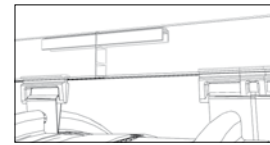


Without air

With air



Improved support of elbows



FabricAir A/S  
Islandsvej 3  
4681 Herfølge  
Denmark  
Phone (+45) 5665 2110  
Fax (+45) 5665 9907

FabricAir, Inc.  
312-A Swanson Drive  
Lawrenceville, GA 30043  
USA  
Phone (+1) 502 493-2210  
Fax (+1) 502 493-4002

FabricAir Ltd.  
2 Sherwood Crescent  
Rotherham, S60 2NJ  
United Kingdom  
Phone (+44) 01709 835989  
Fax (+44) 01709 835987

FabricAir Turkey Ltd.  
Şair Eşref Bulv. No: 6/801  
35230 Çankaya, İzmir  
Turkey  
Phone (+90) 232 446 34 58  
Fax (+90) 232 446 34 68

UAB FabricAir  
Pramonės 31  
62175 Alytus  
Lithuania  
Phone (+37) 0315 78723  
Fax (+37) 0315 77315



FabricAir  
info@fabricair.com  
www.fabricair.com

Certificate of  
Registration  
File number:

A13655



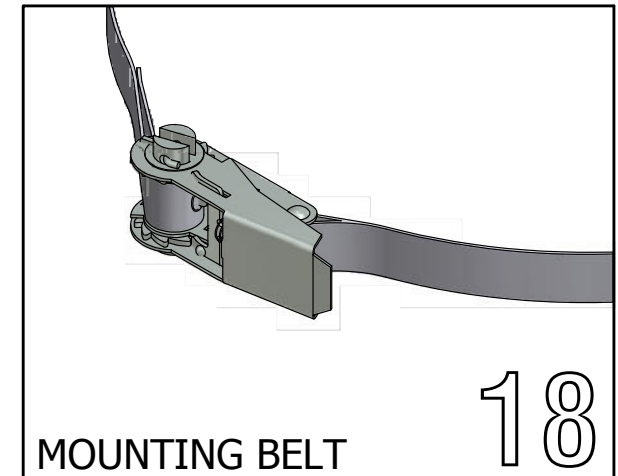
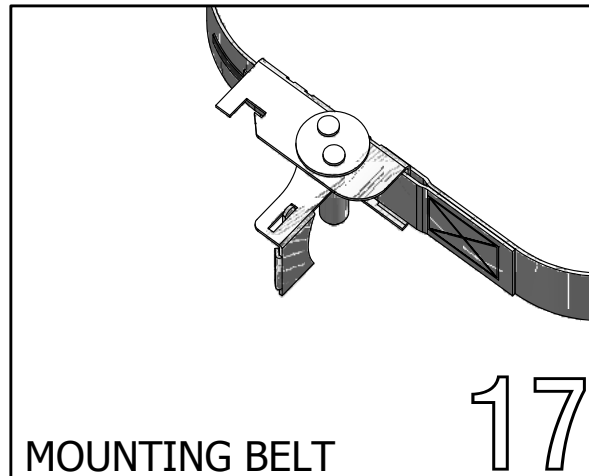
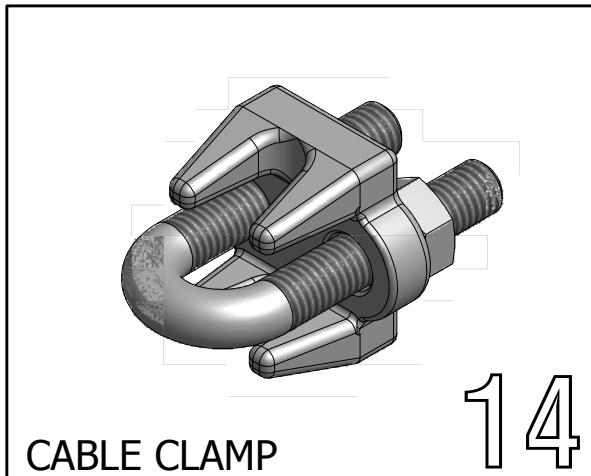
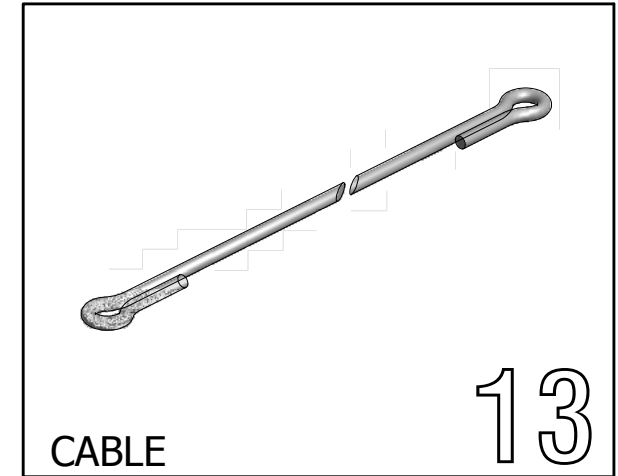
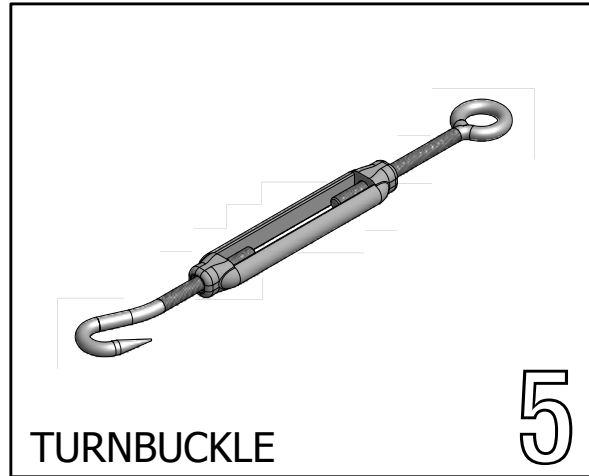
ISO9001:2000



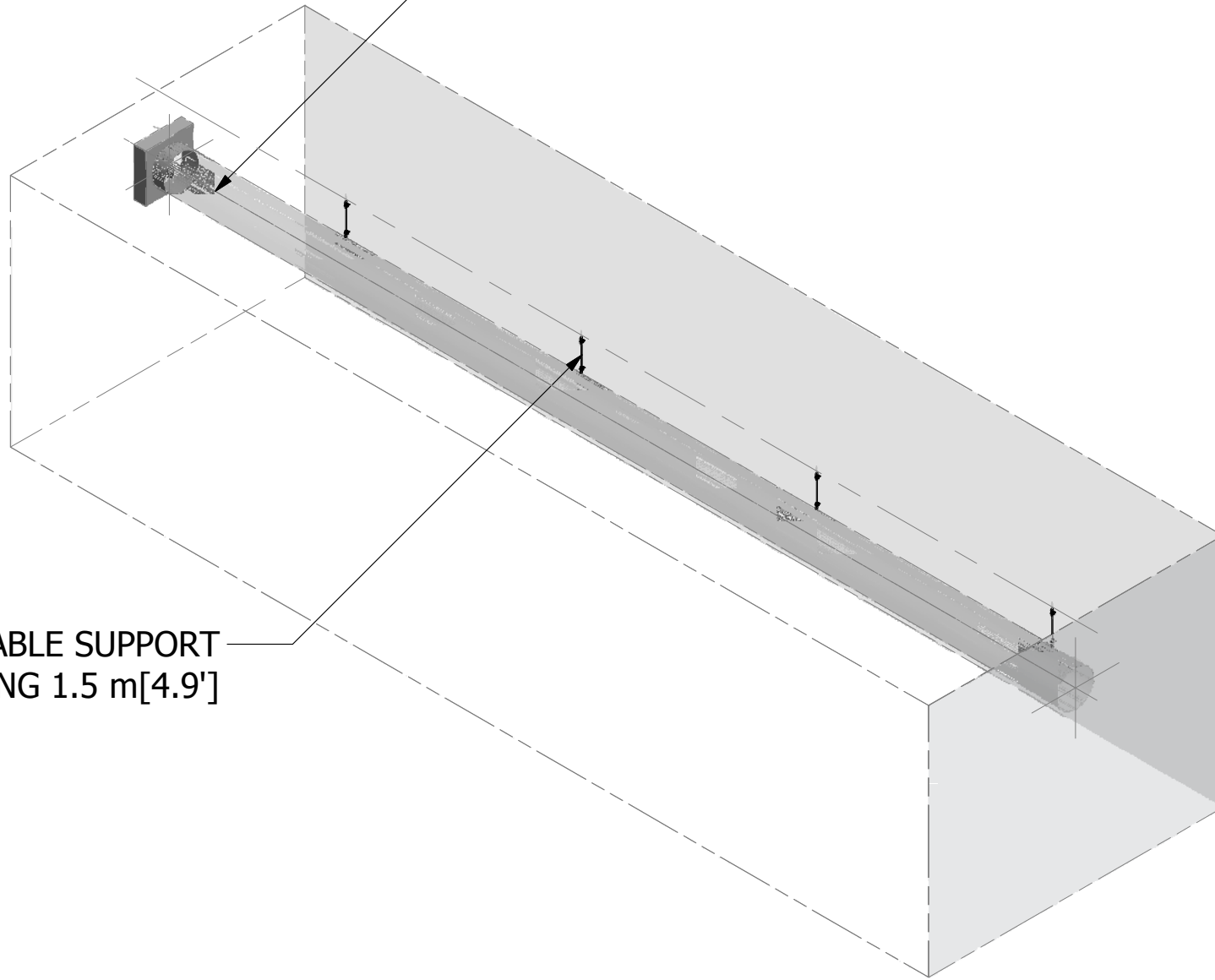
Μιχαήλ Καραολή 19 143 43, Ν. Χαλκηδόνα, Αθήνα  
τηλ: 211 - 70.55.500 & 210 - 21.30.051  
Fax: 210 - 22.23.283

All rights reserved to FabricAir®.  
The latest version can be downloaded from [www.fabricair.com](http://www.fabricair.com).  
We are not responsible for printing errors, nor for modified or discontinued products.

FabricAir® Ducts with All-in-One  
4210-017 (2014-JULY UK)

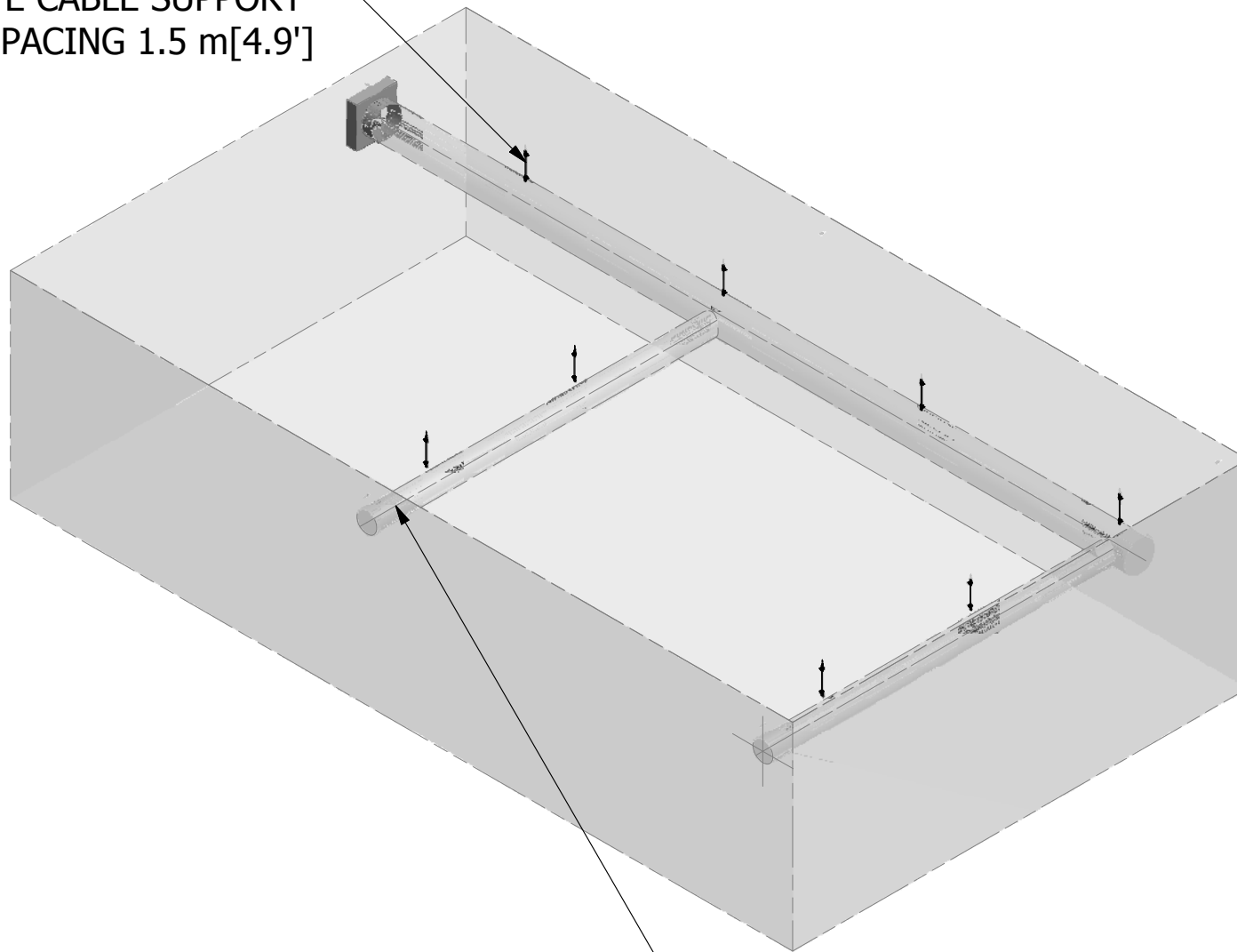


FABRICAIR DUCT. SECTIONS CONNECTED BY ZIPPER  
FLOWMODEL, COLOR AND FABRIC AS SPECIFIED



INTERMEDIATE CABLE SUPPORT  
MAX. SPACING 1.5 m[4.9']

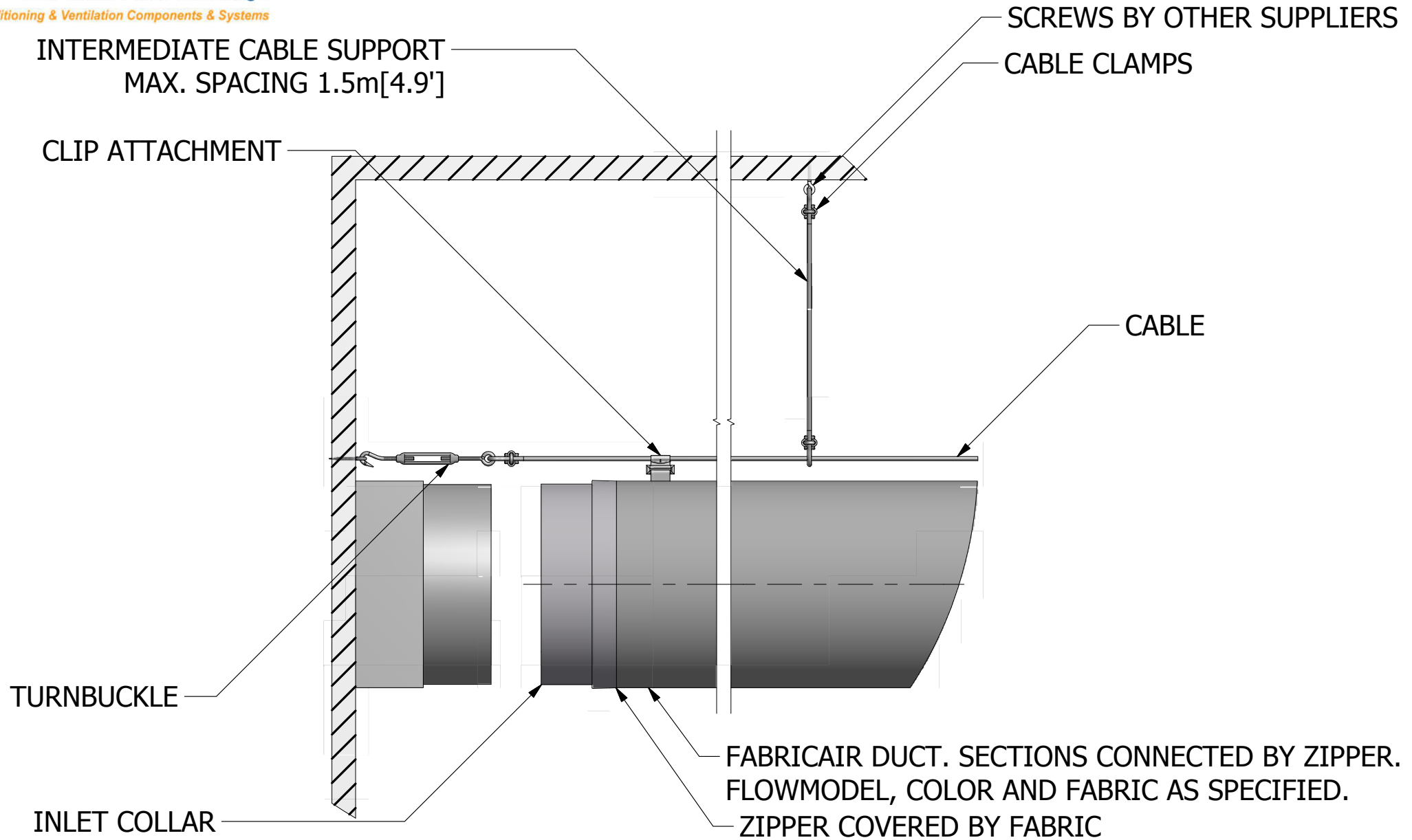
INTERMEDIATE CABLE SUPPORT  
MAX. SPACING 1.5 m [4.9']



FABRICAIR DUCT. SECTIONS CONNECTED BY ZIPPER  
FLOWMODEL, COLOR AND FABRIC AS SPECIFIED

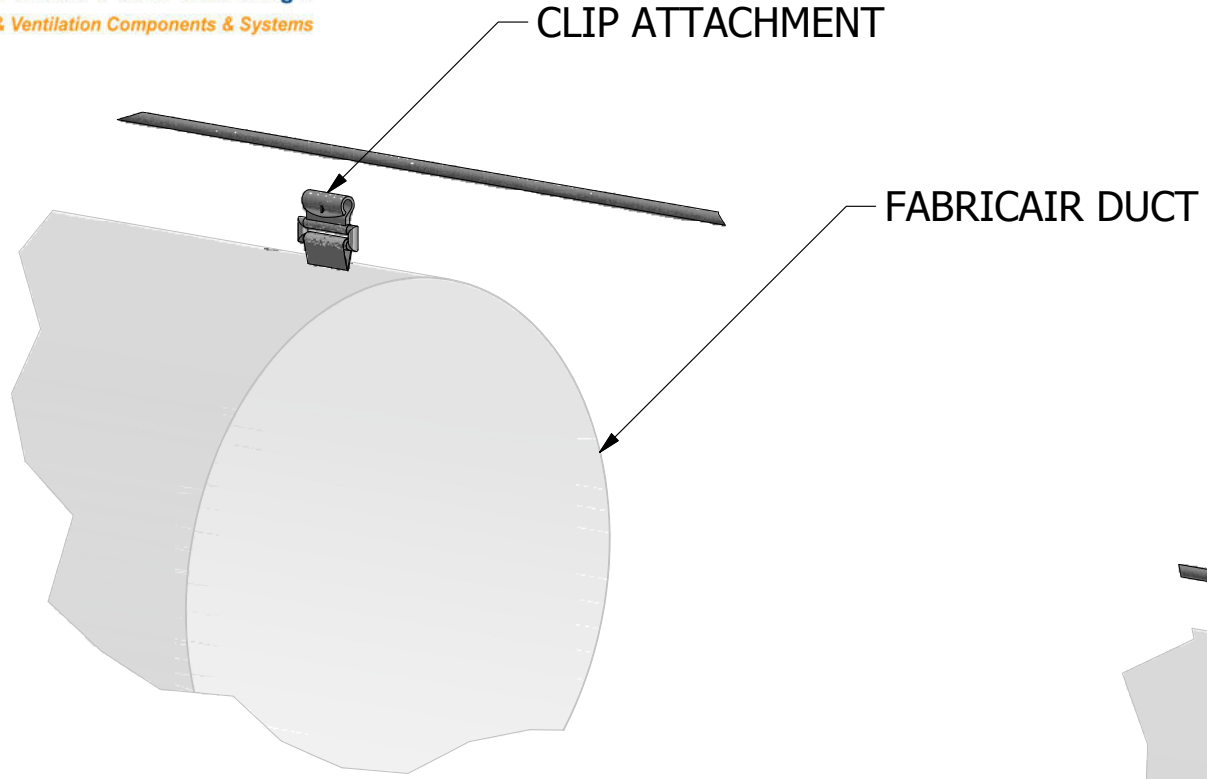
**01.03**

Type 1  
FabricAir® Installation Drawing  
2003-0103-000 (2014-FEB)



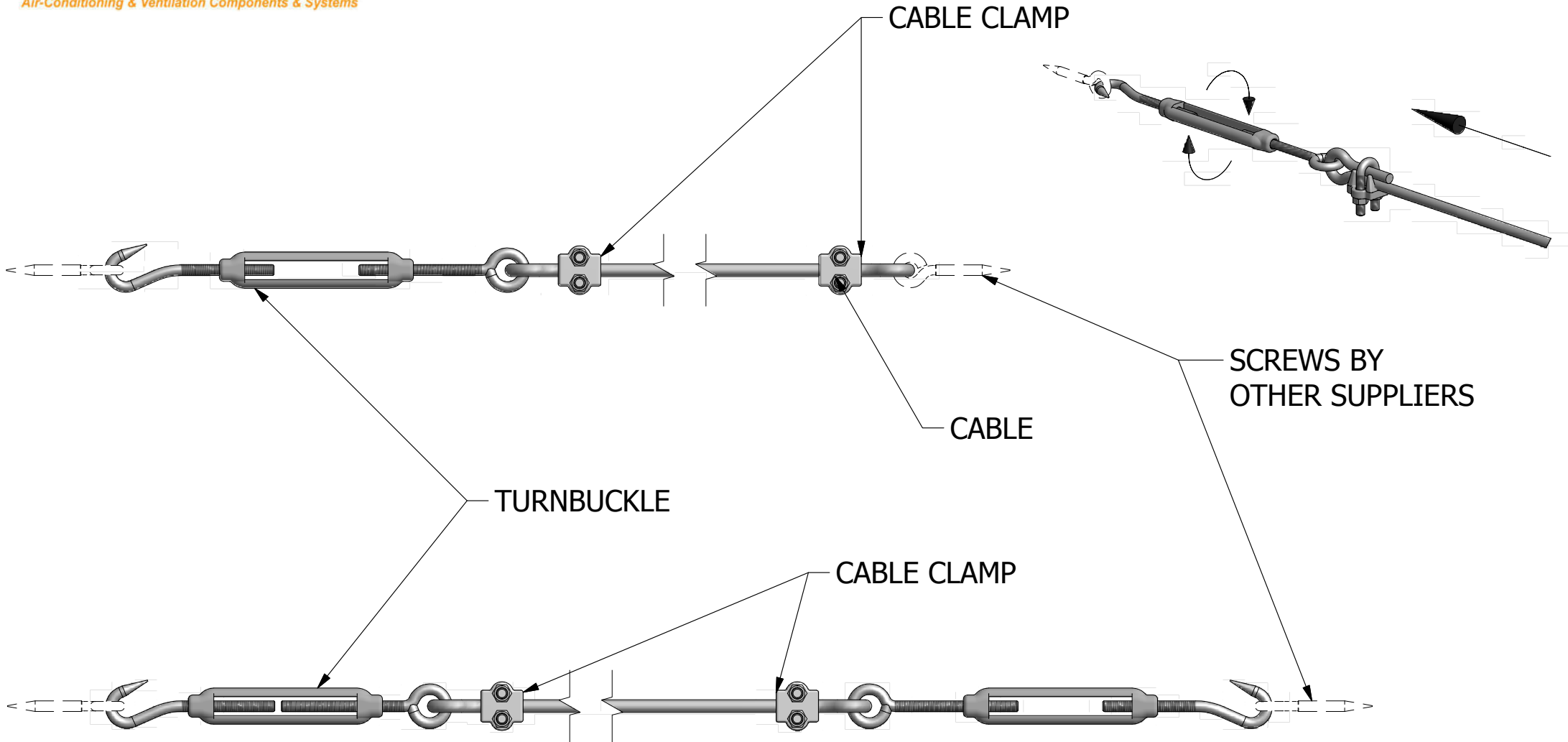


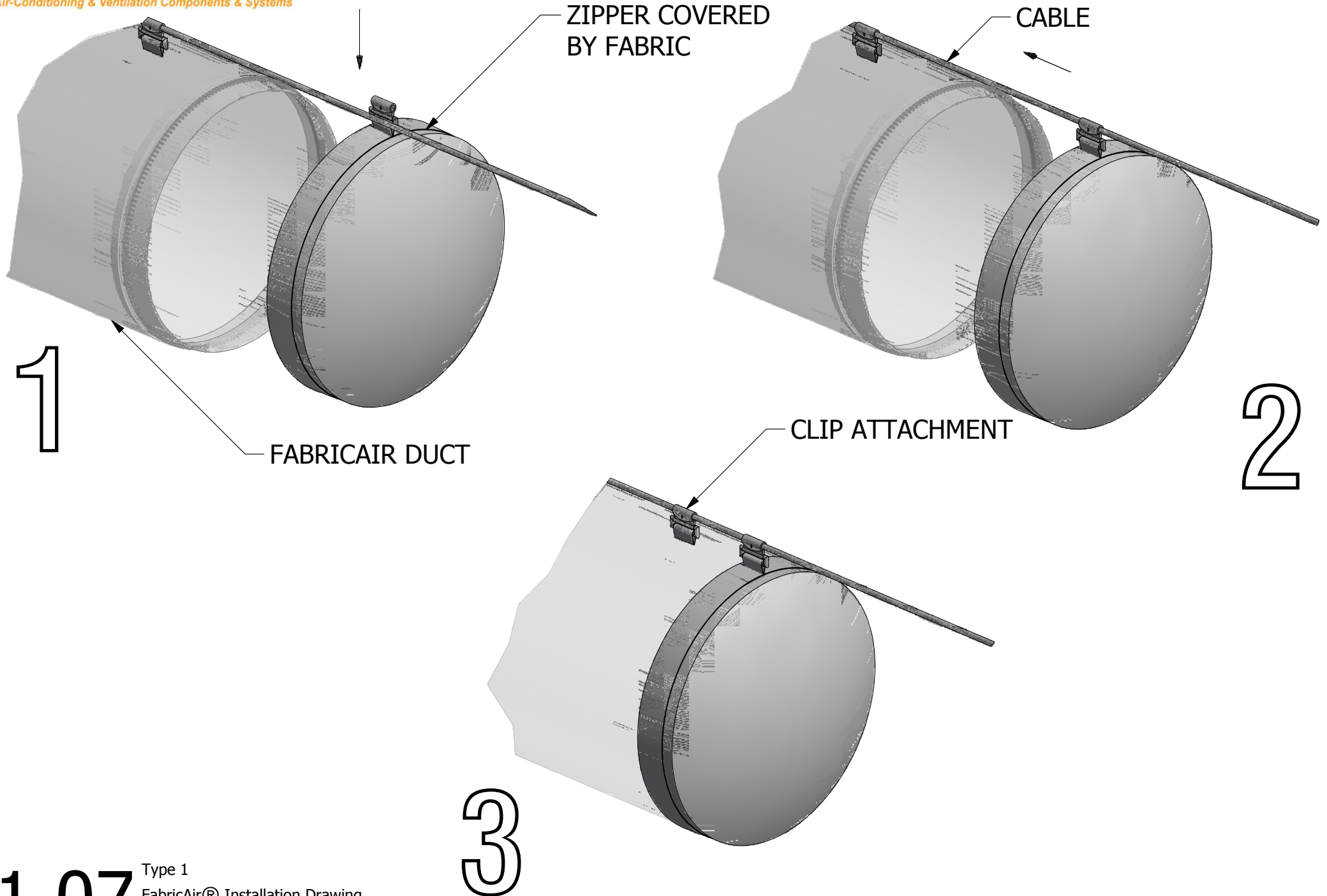
1

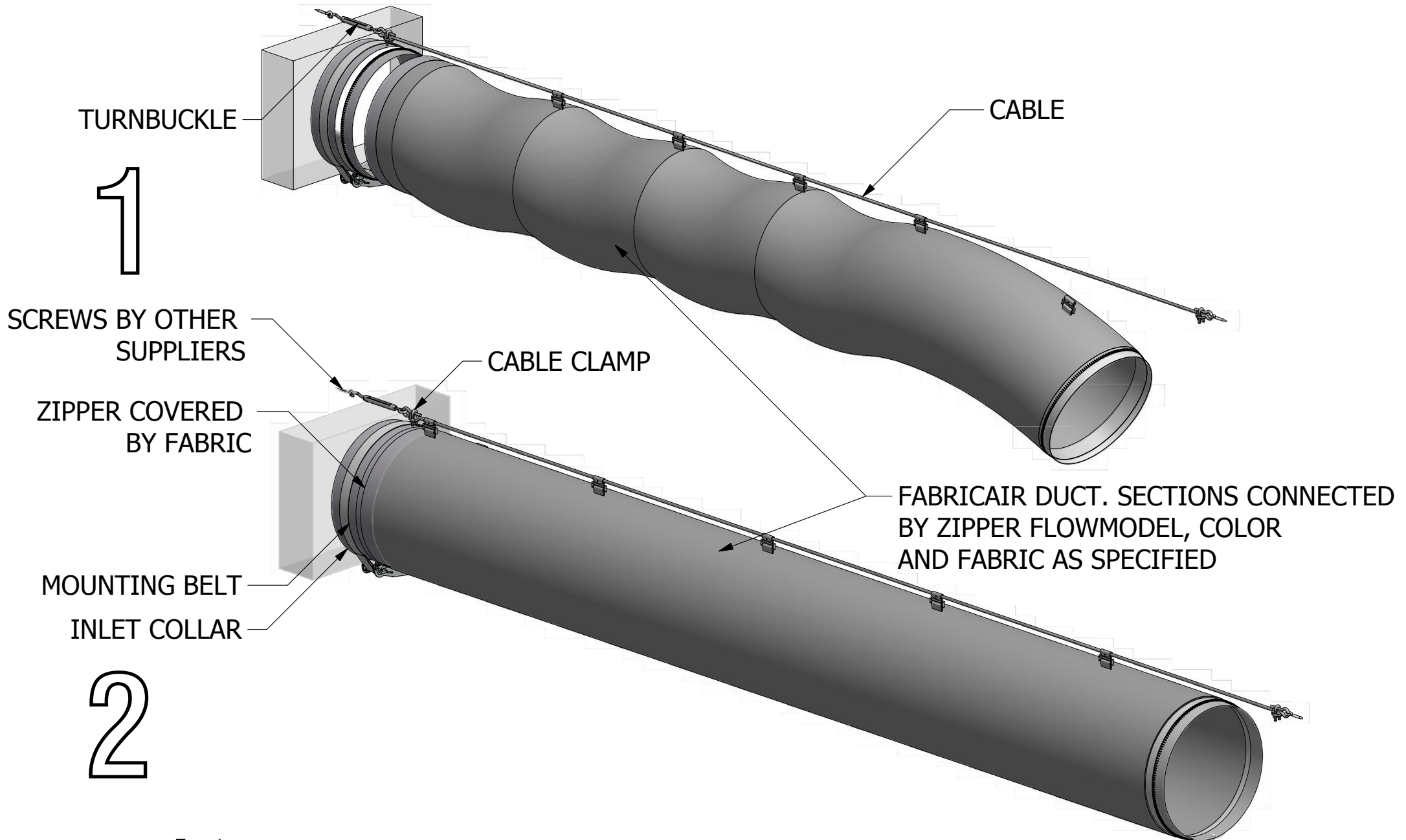


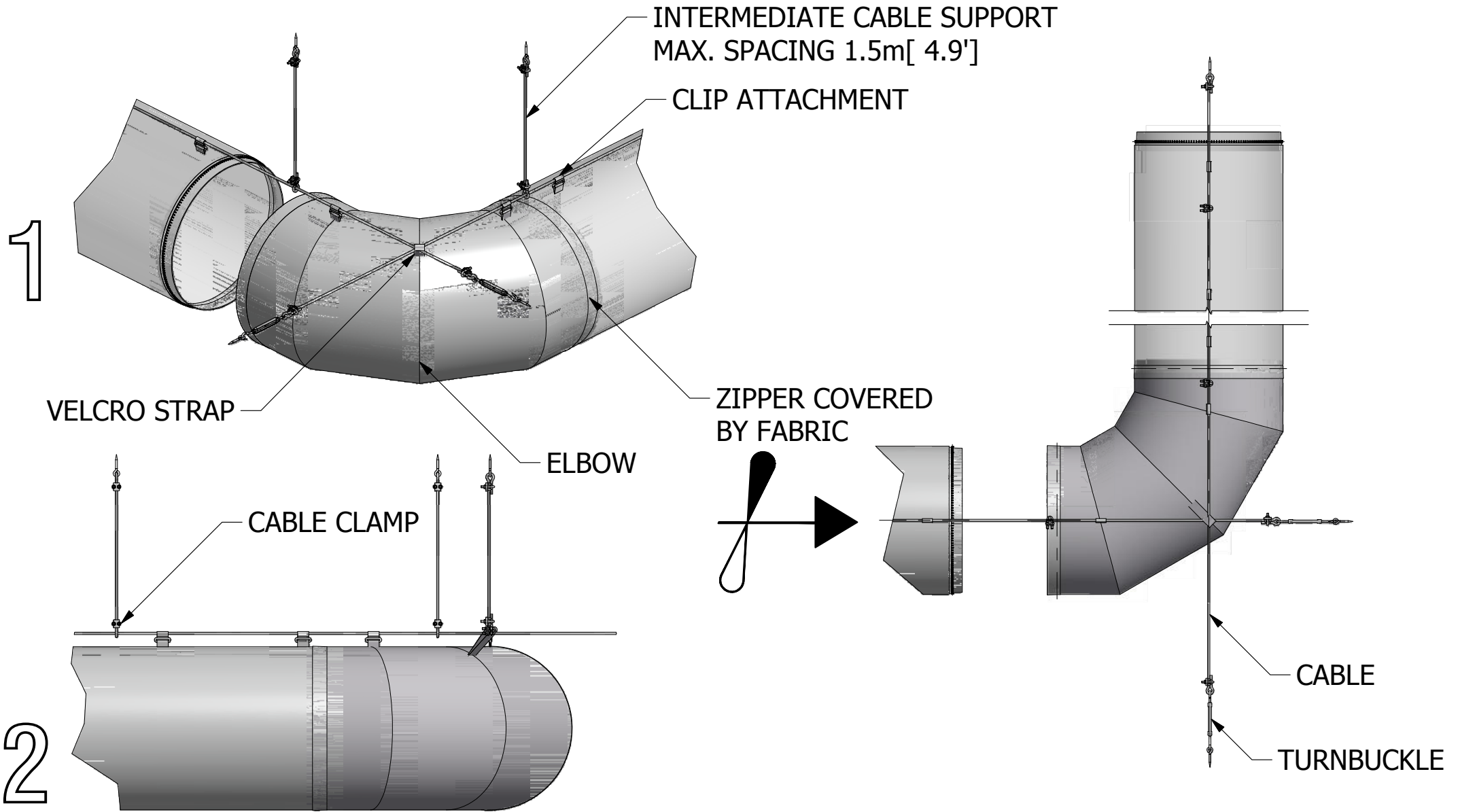
2

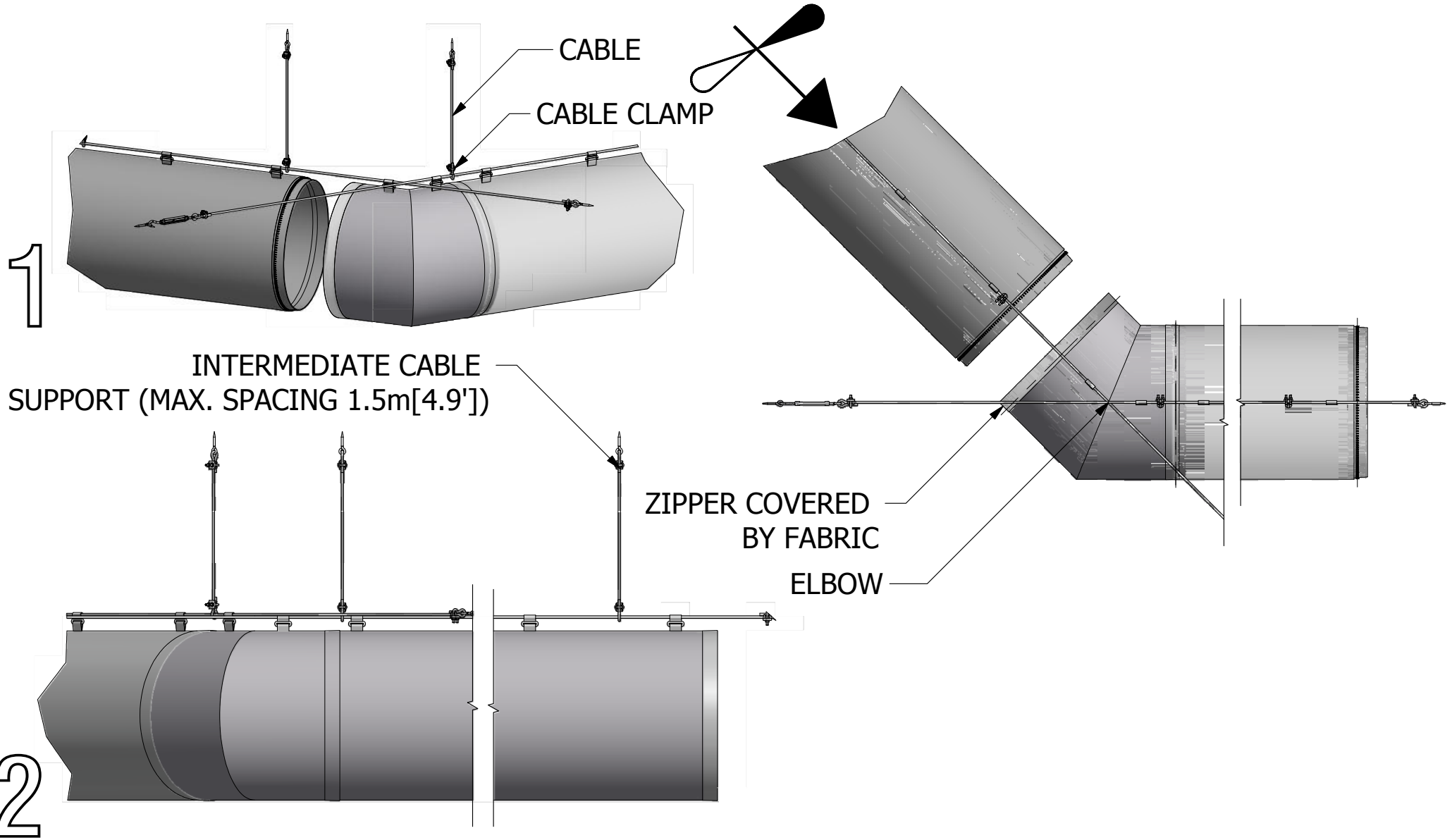


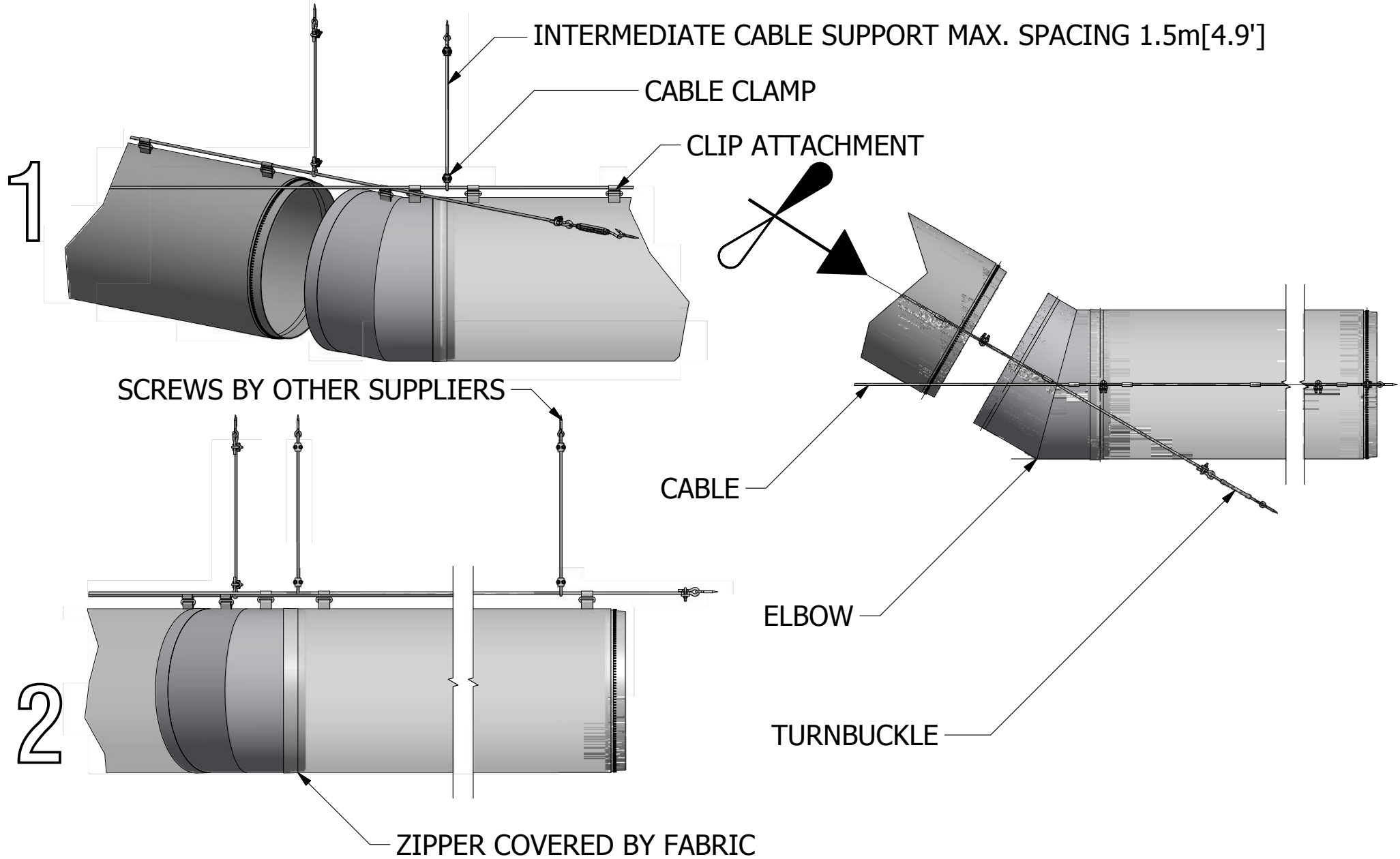


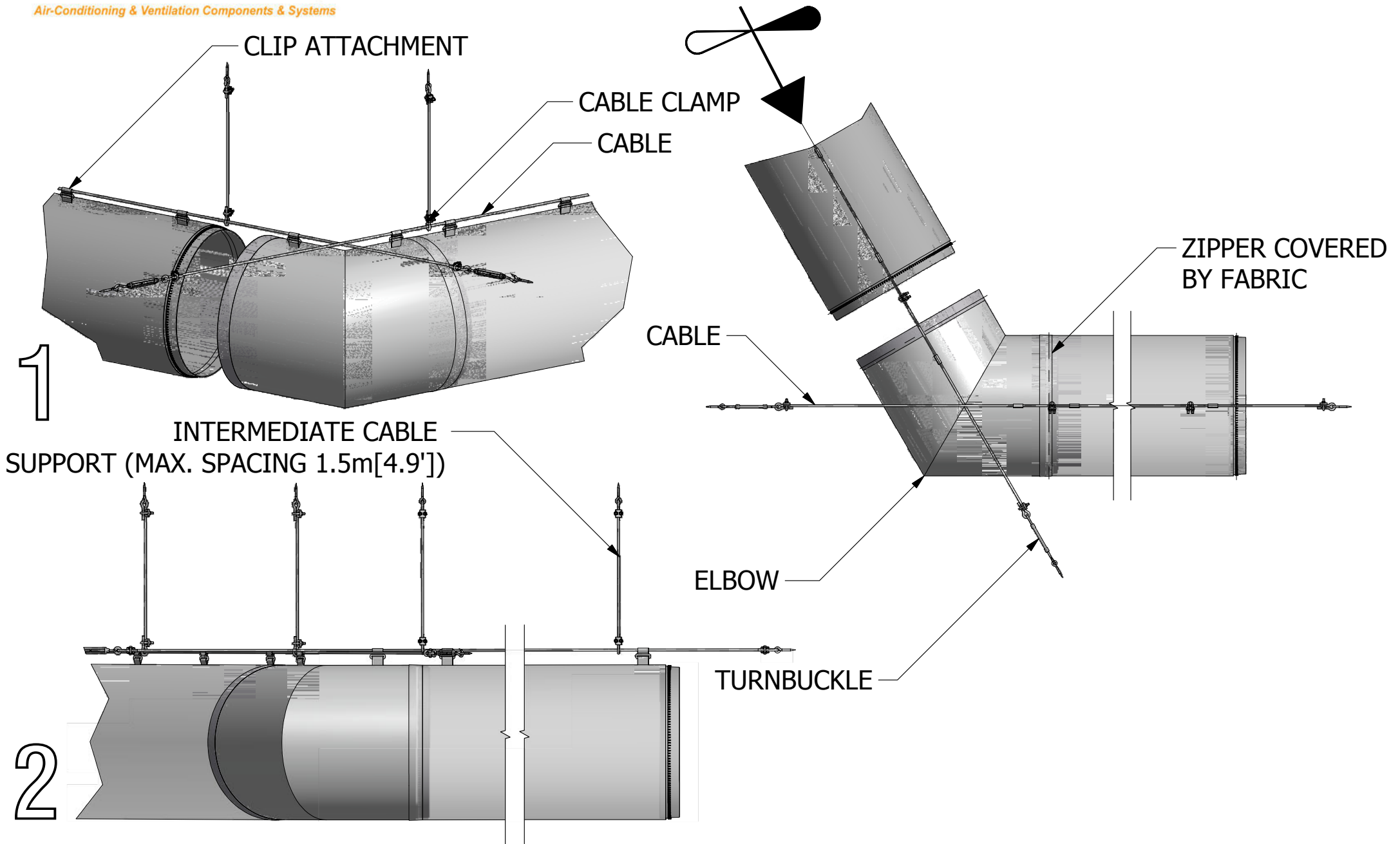










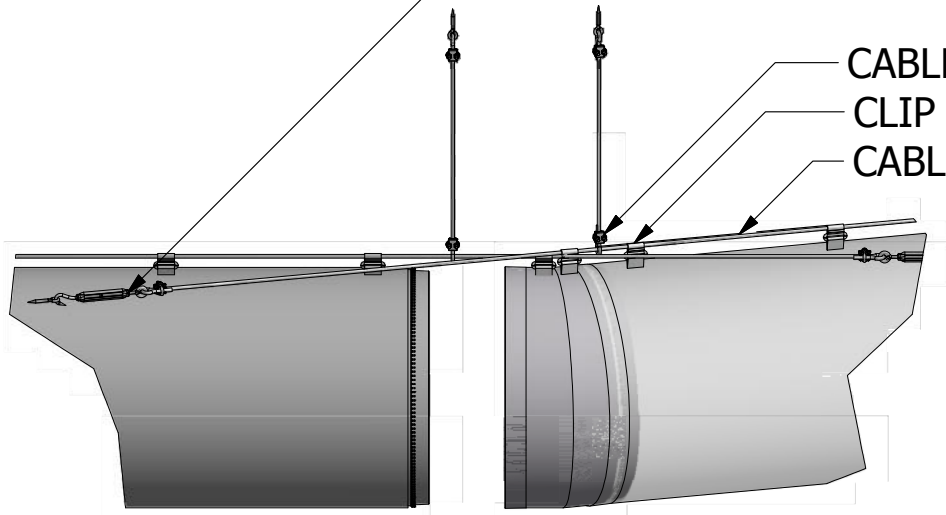




TURNBUCKLE

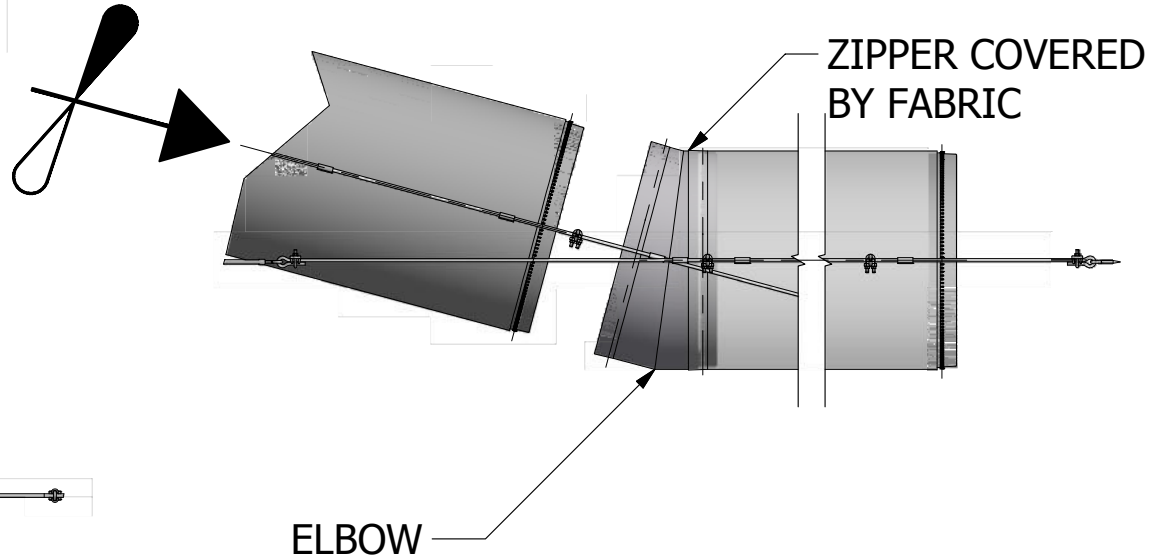
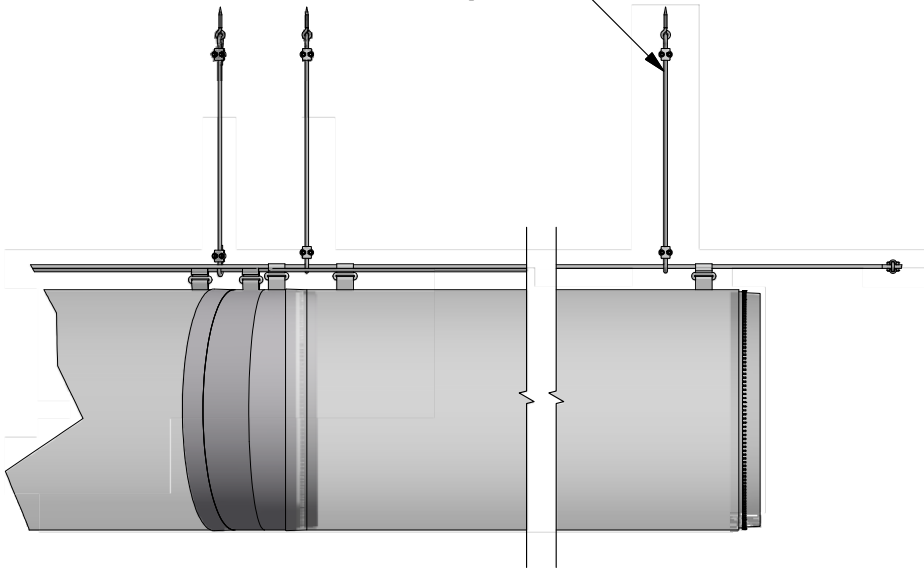
CABLE CLAMP  
CLIP ATTACHMENT  
CABLE

1



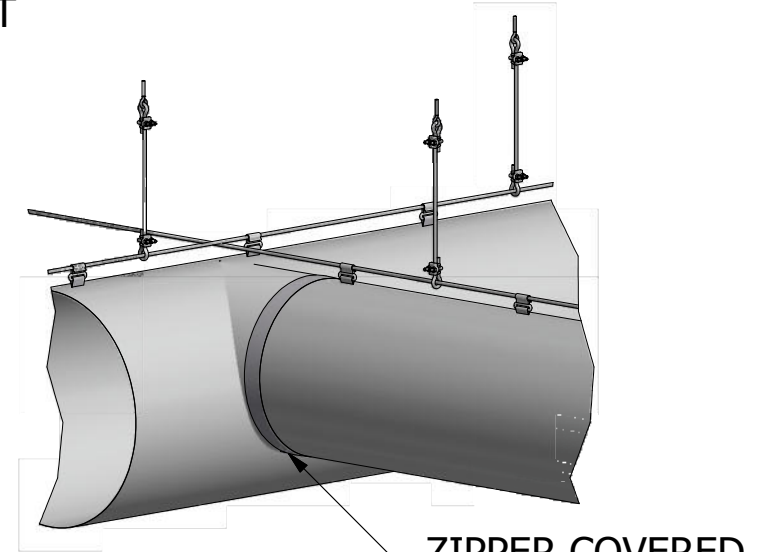
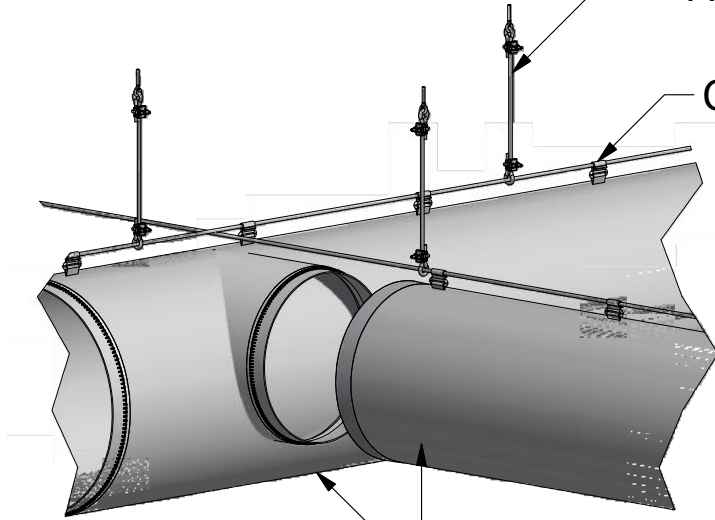
INTERMEDIATE CABLE SUPPORT  
(MAX. SPACING 1.5m[4.9'])

2



INTERMEDIATE CABLE SUPPORT  
MAX. SPACING 1.5m [ 4.9']

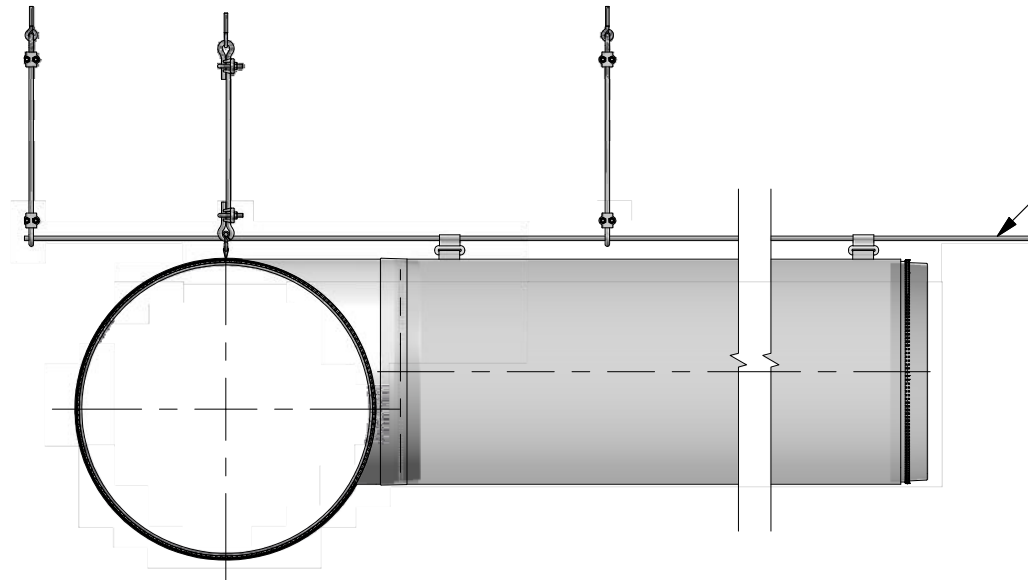
CLIP ATTACHMENT



ZIPPER COVERED  
BY FABRIC

FABRICAIR DUCT. SECTIONS CONNECTED BY ZIPPER  
FLOWMODEL, COLOR AND FABRIC AS SPECIFIED

1



CABLE

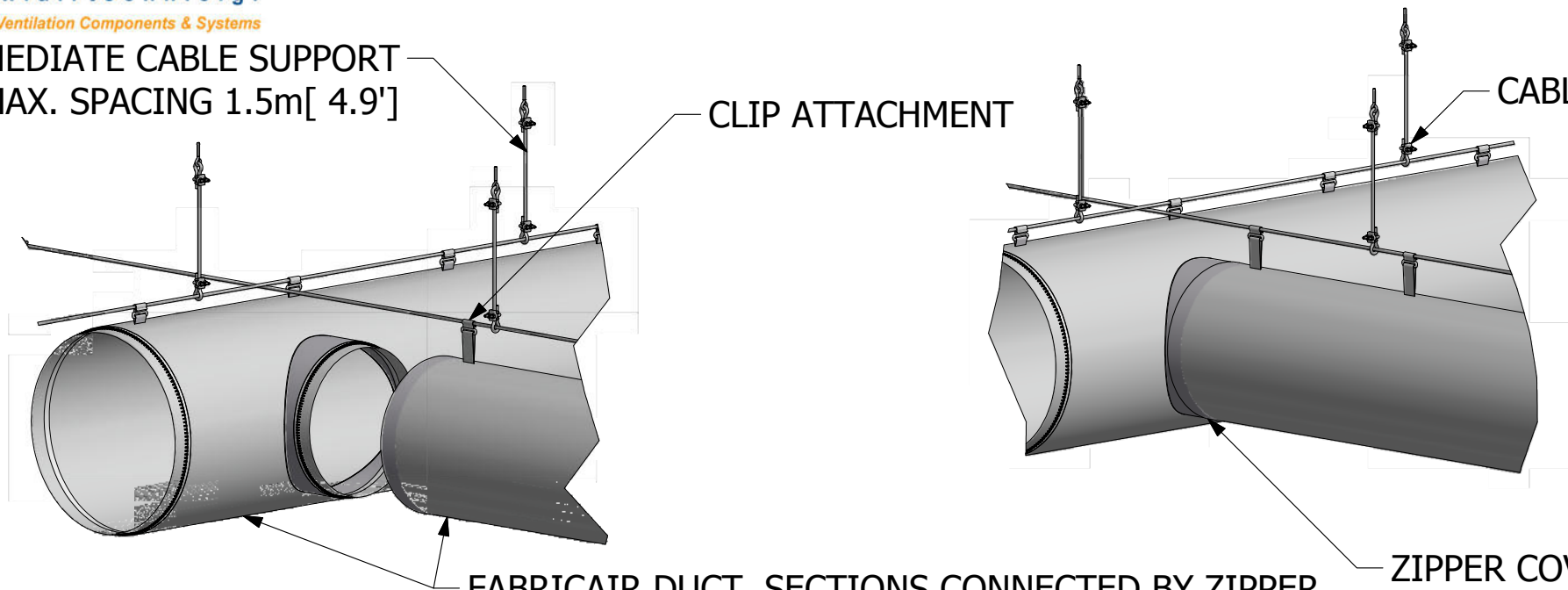
2

INTERMEDIATE CABLE SUPPORT  
MAX. SPACING 1.5m [ 4.9']

CLIP ATTACHMENT

CABLE CLAMP

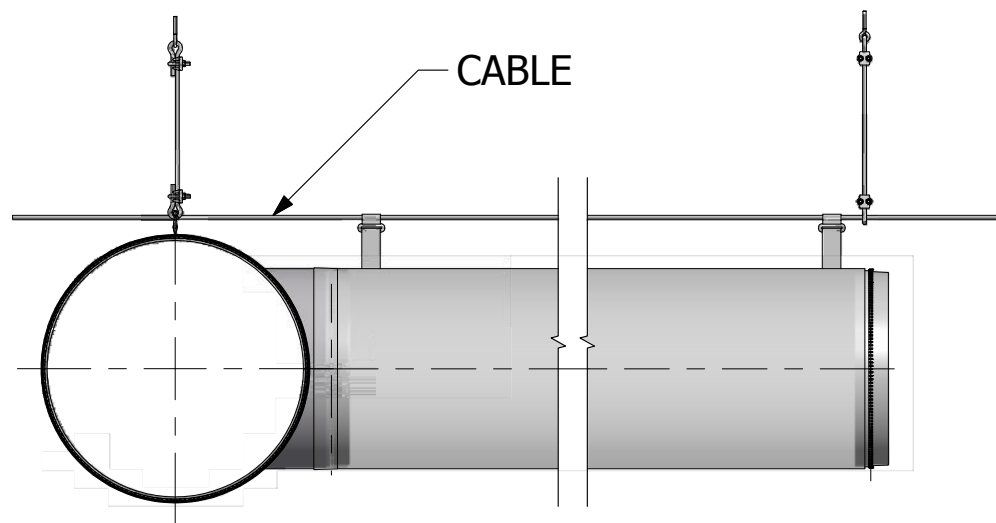
1



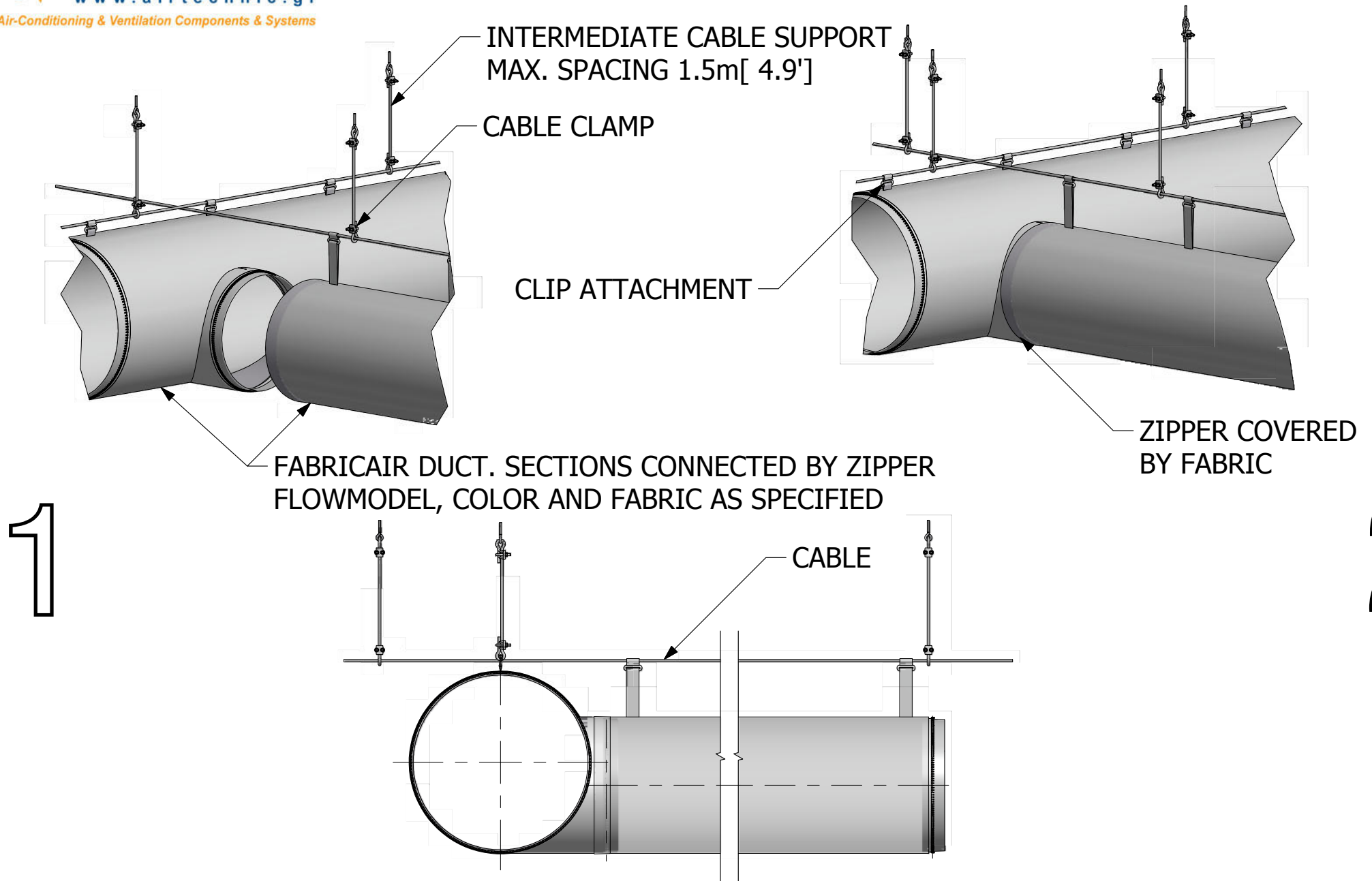
FABRICAIR DUCT. SECTIONS CONNECTED BY ZIPPER  
FLOWMODEL, COLOR AND FABRIC AS SPECIFIED

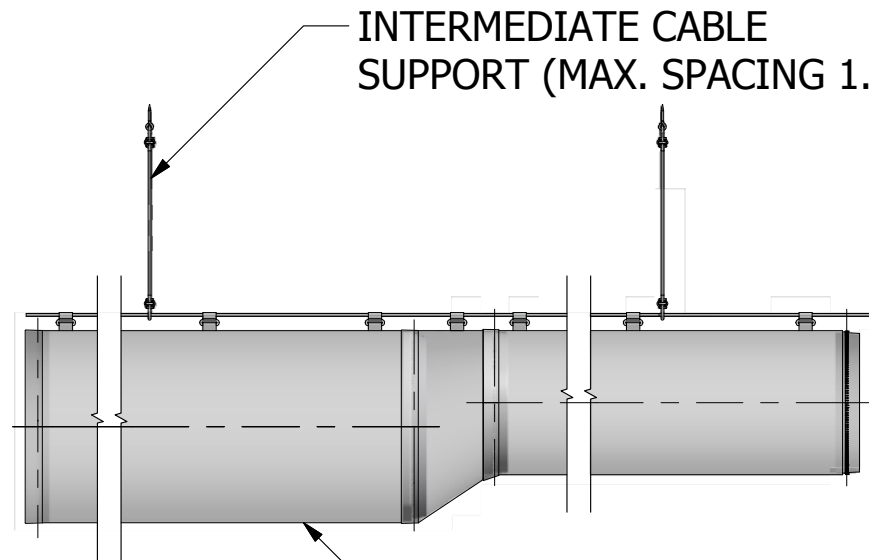
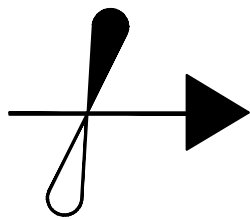
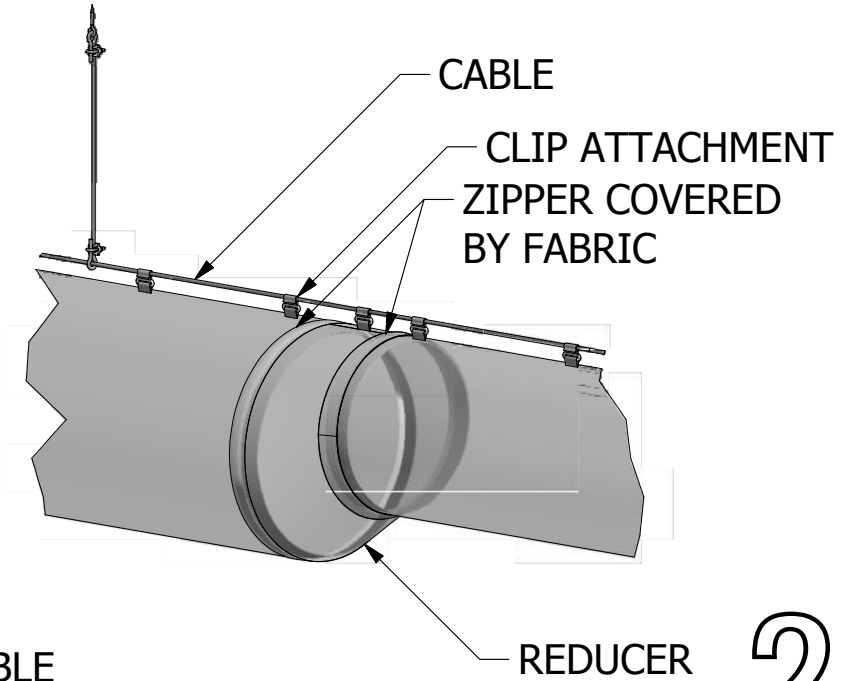
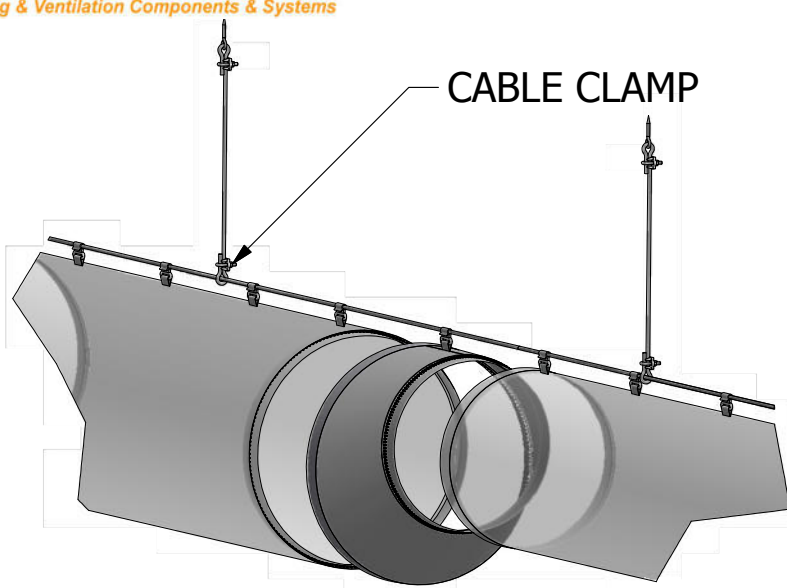
ZIPPER COVERED  
BY FABRIC

2

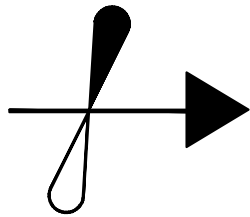
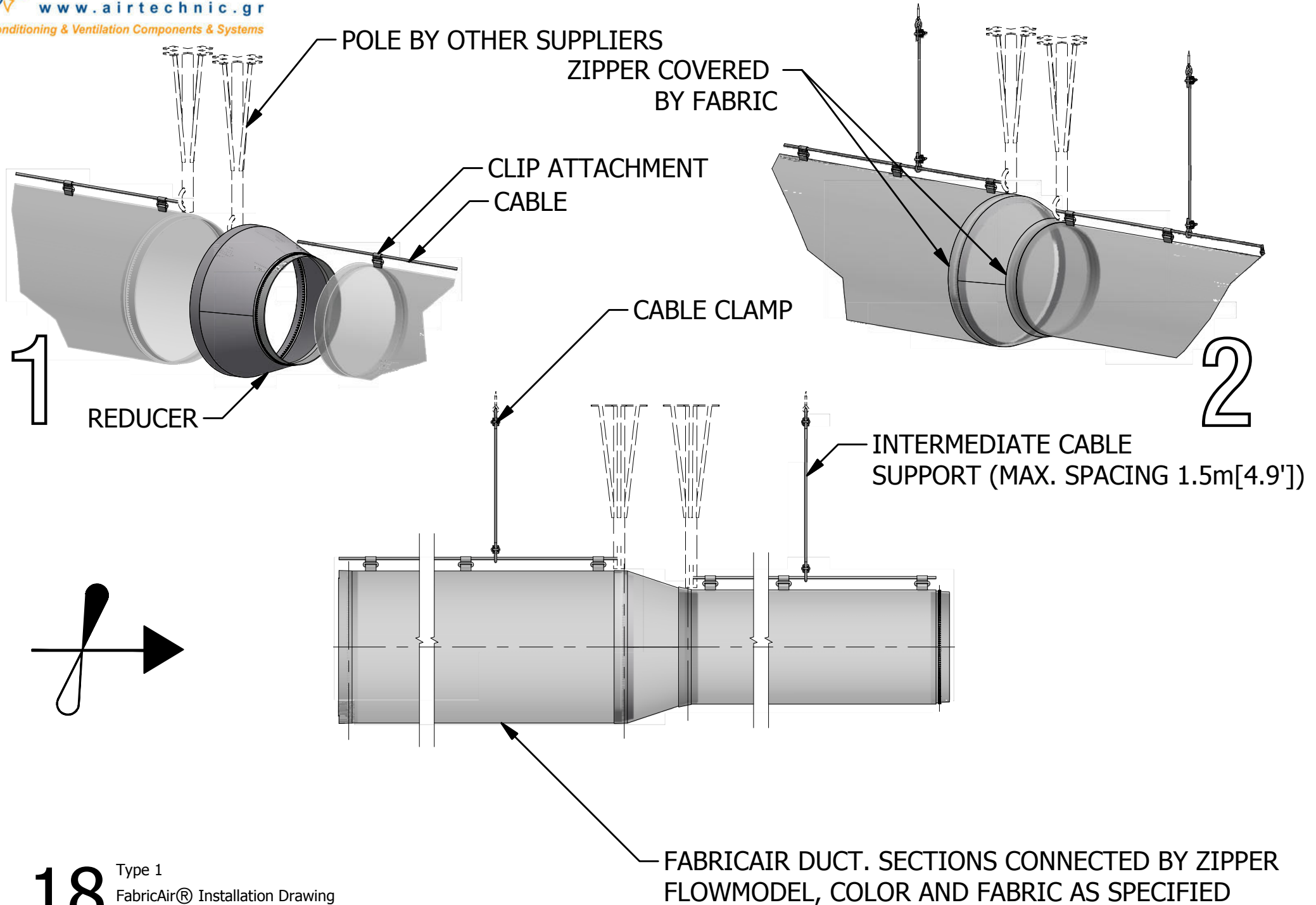


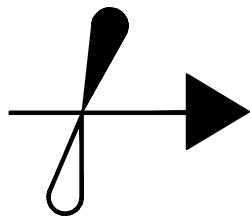
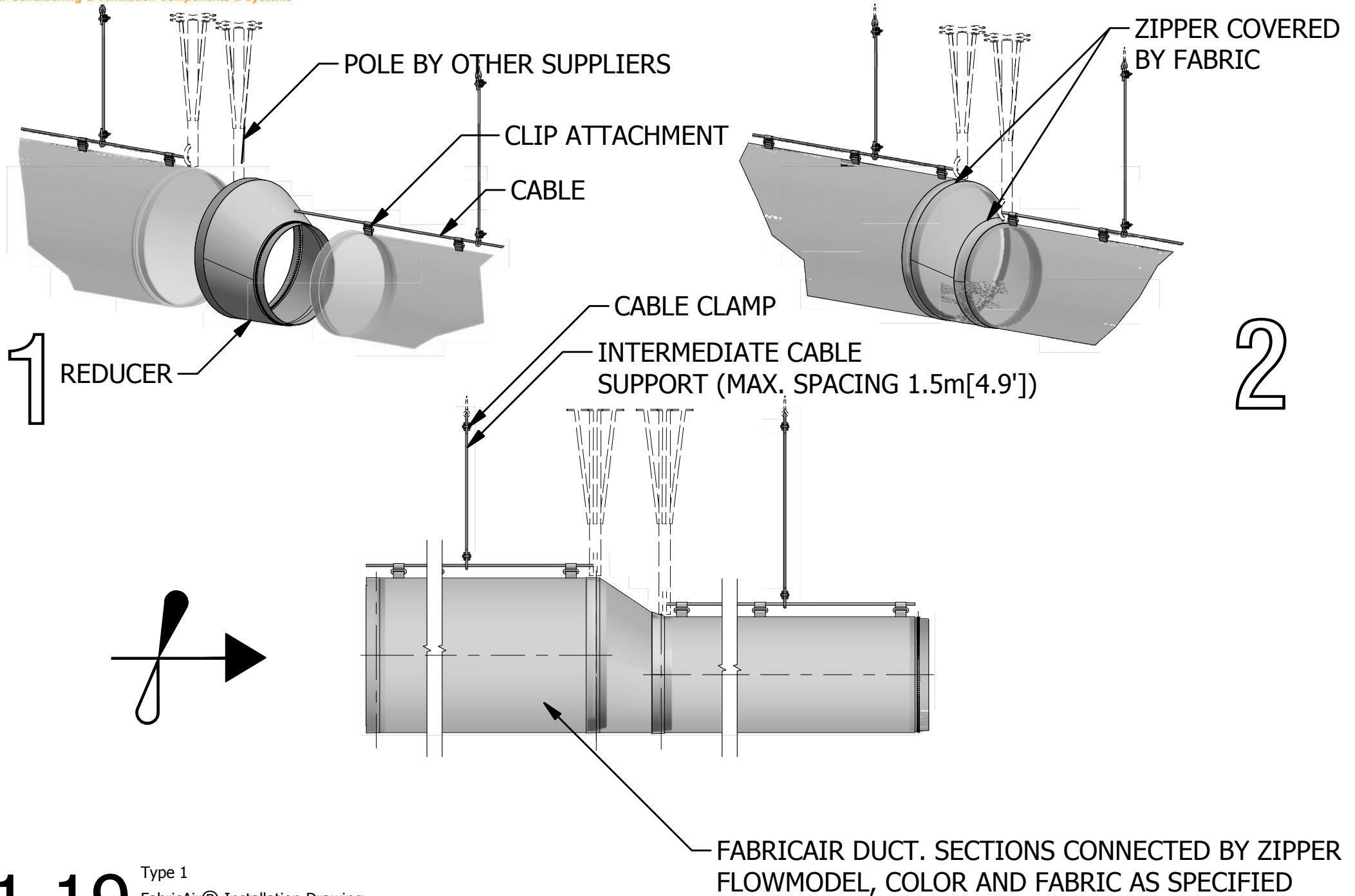
CABLE

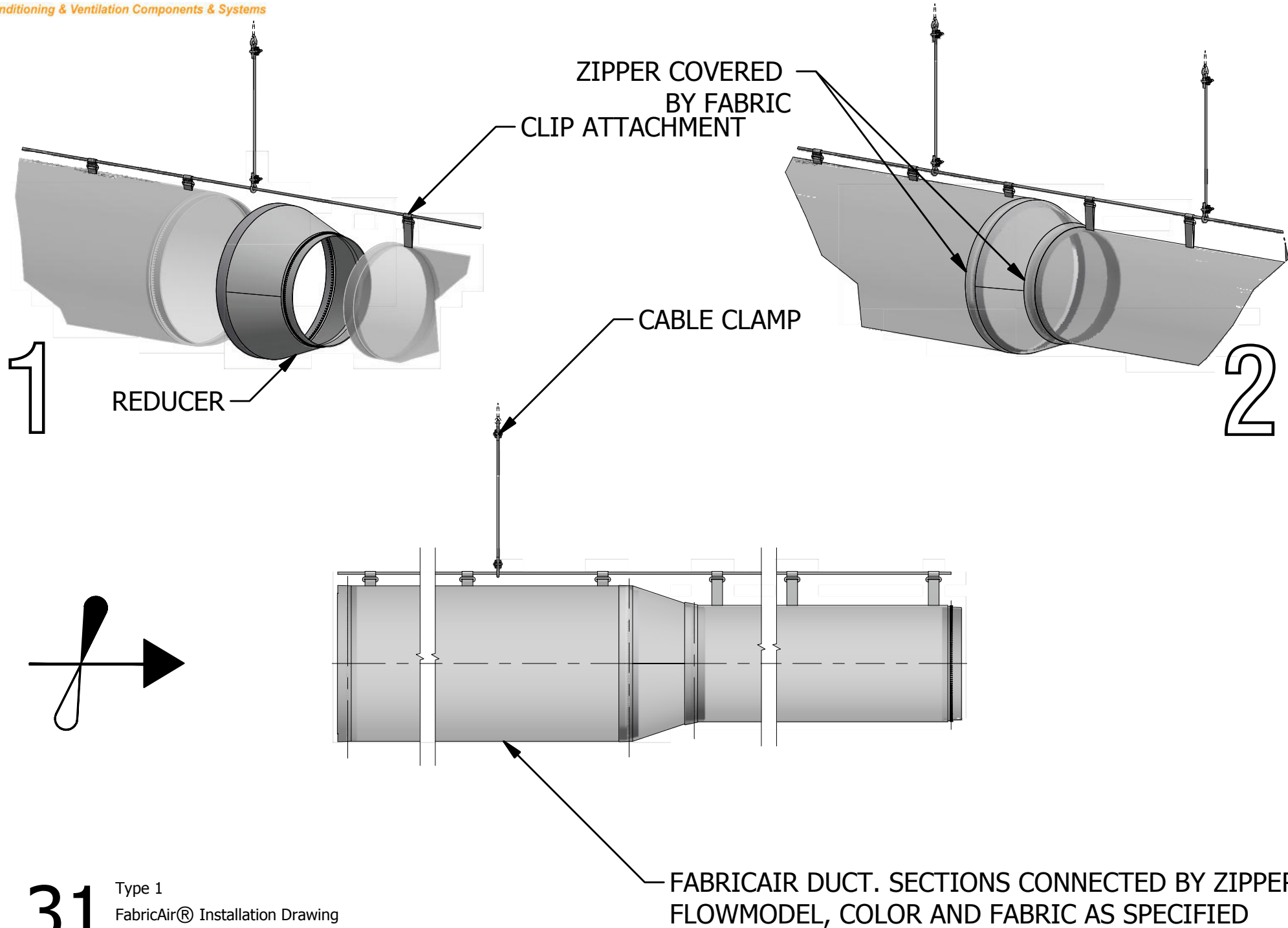




FABRICAIR DUCT. SECTIONS CONNECTED BY ZIPPER  
FLOWMODEL, COLOR AND FABRIC AS SPECIFIED





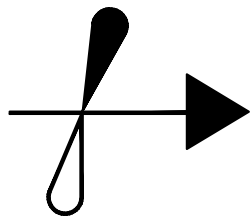
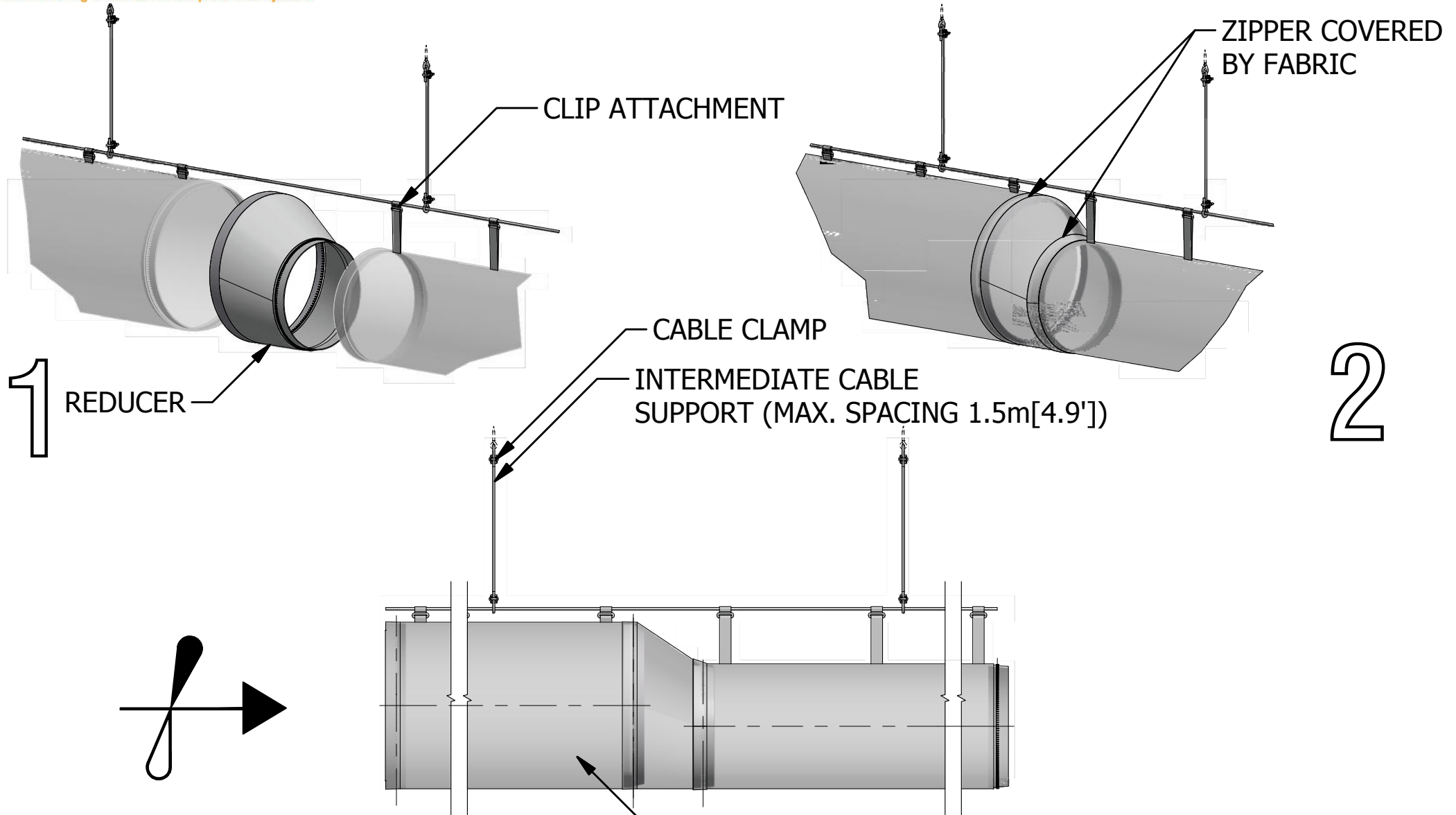


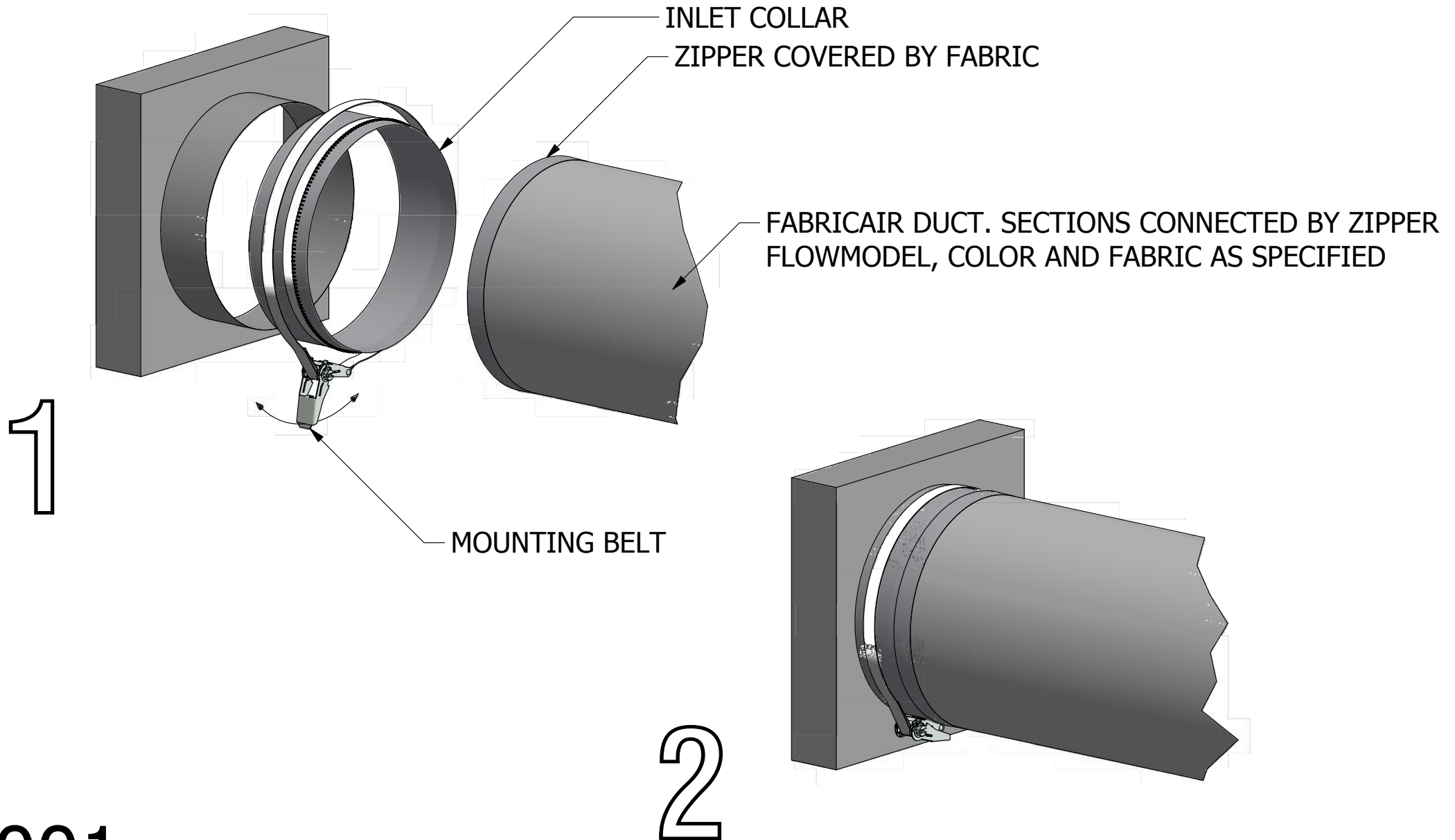
**01.31**

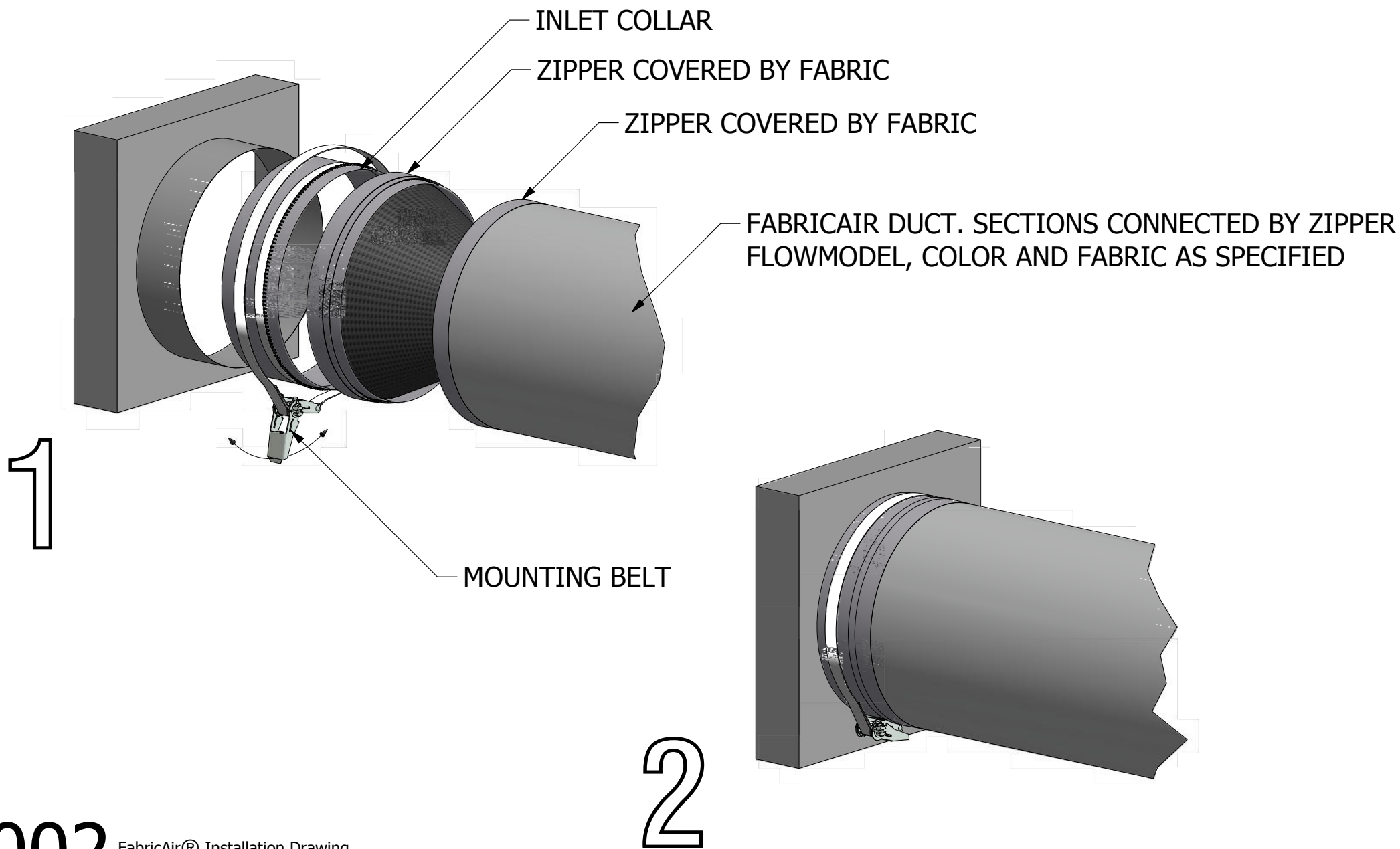
Type 1  
FabricAir® Installation Drawing  
2003-0131-000 (2014-FEB)

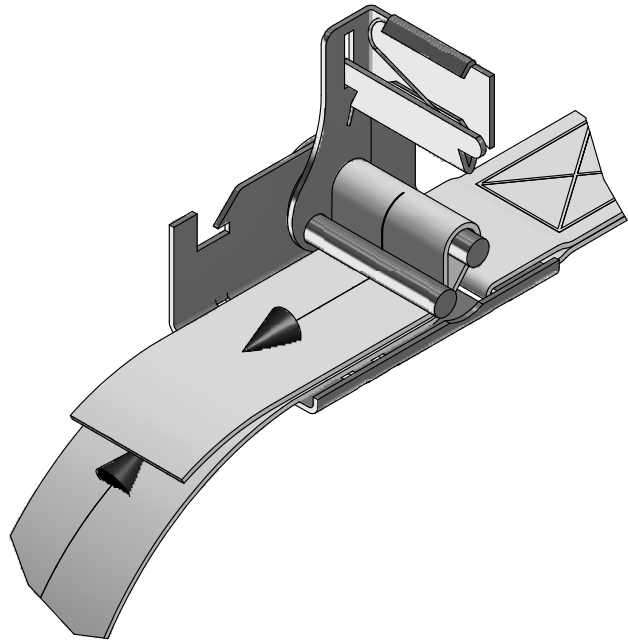
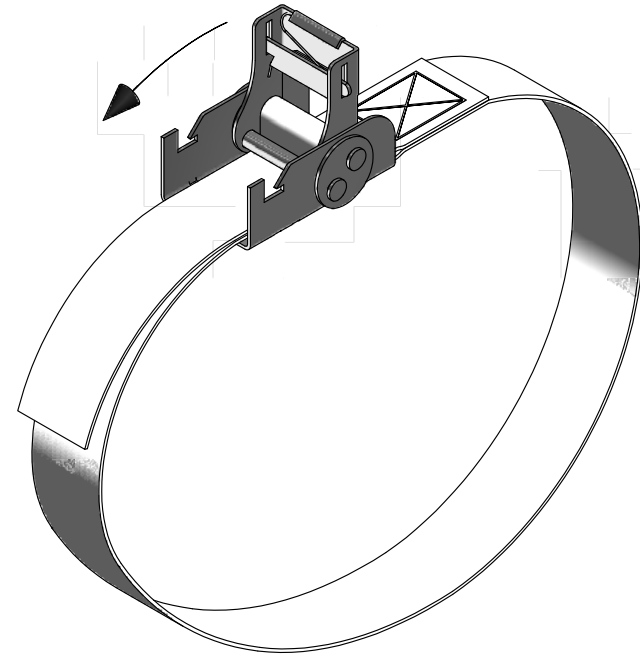
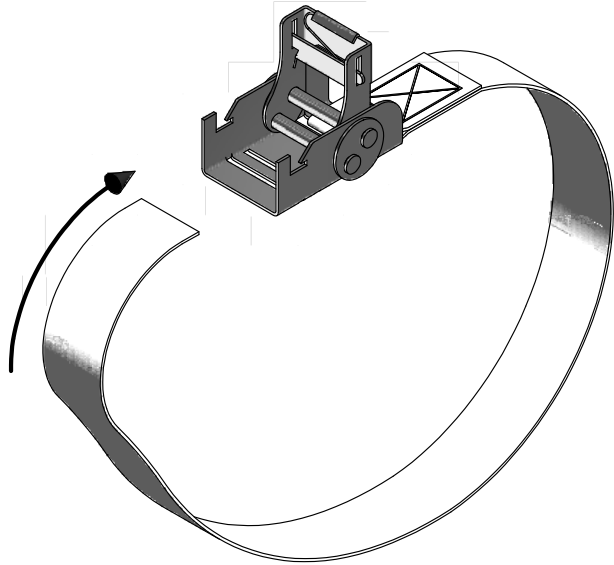
FABRICAIR DUCT. SECTIONS CONNECTED BY ZIPPER  
FLOWMODEL, COLOR AND FABRIC AS SPECIFIED



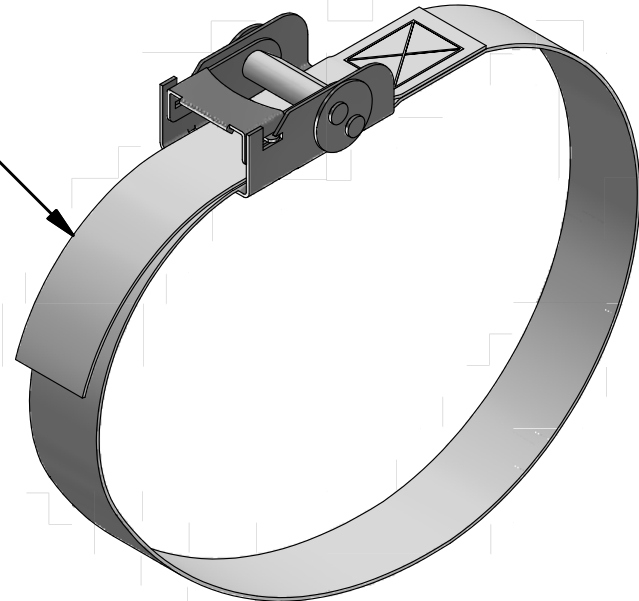


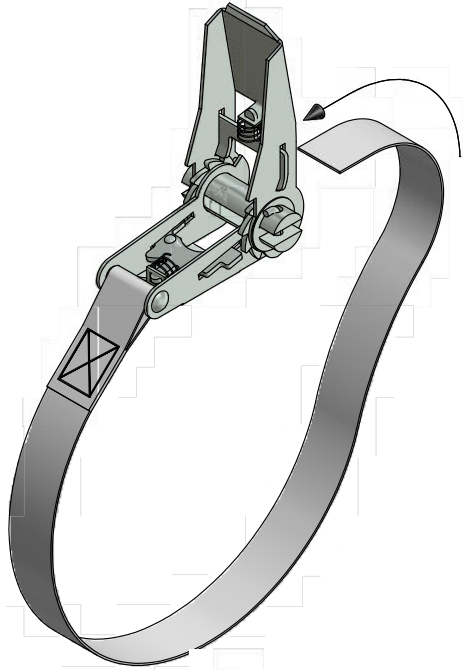




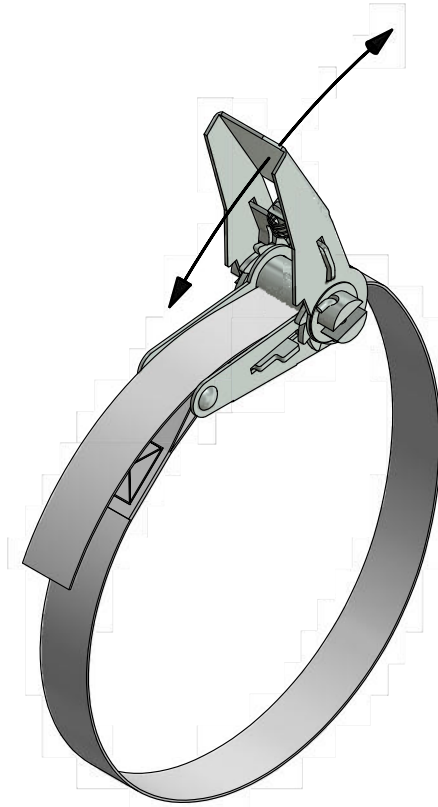


MOUNTING BELT

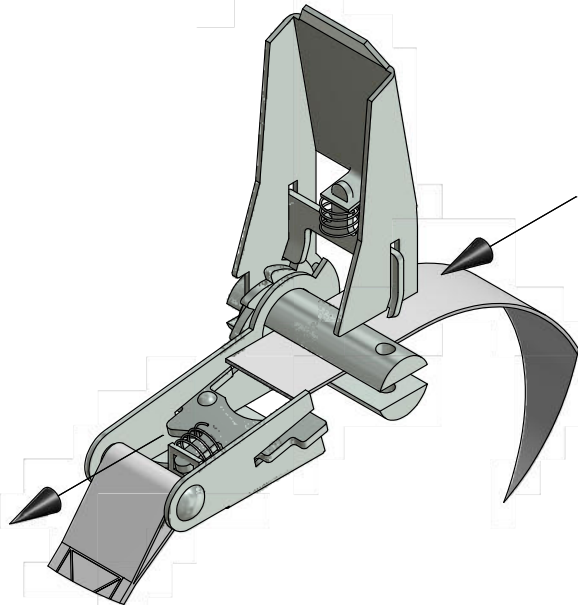




1

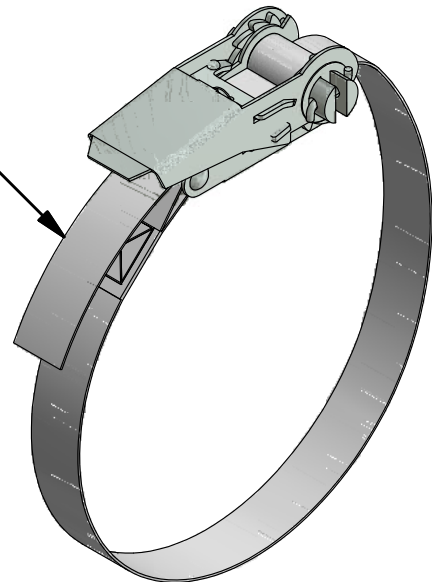


3

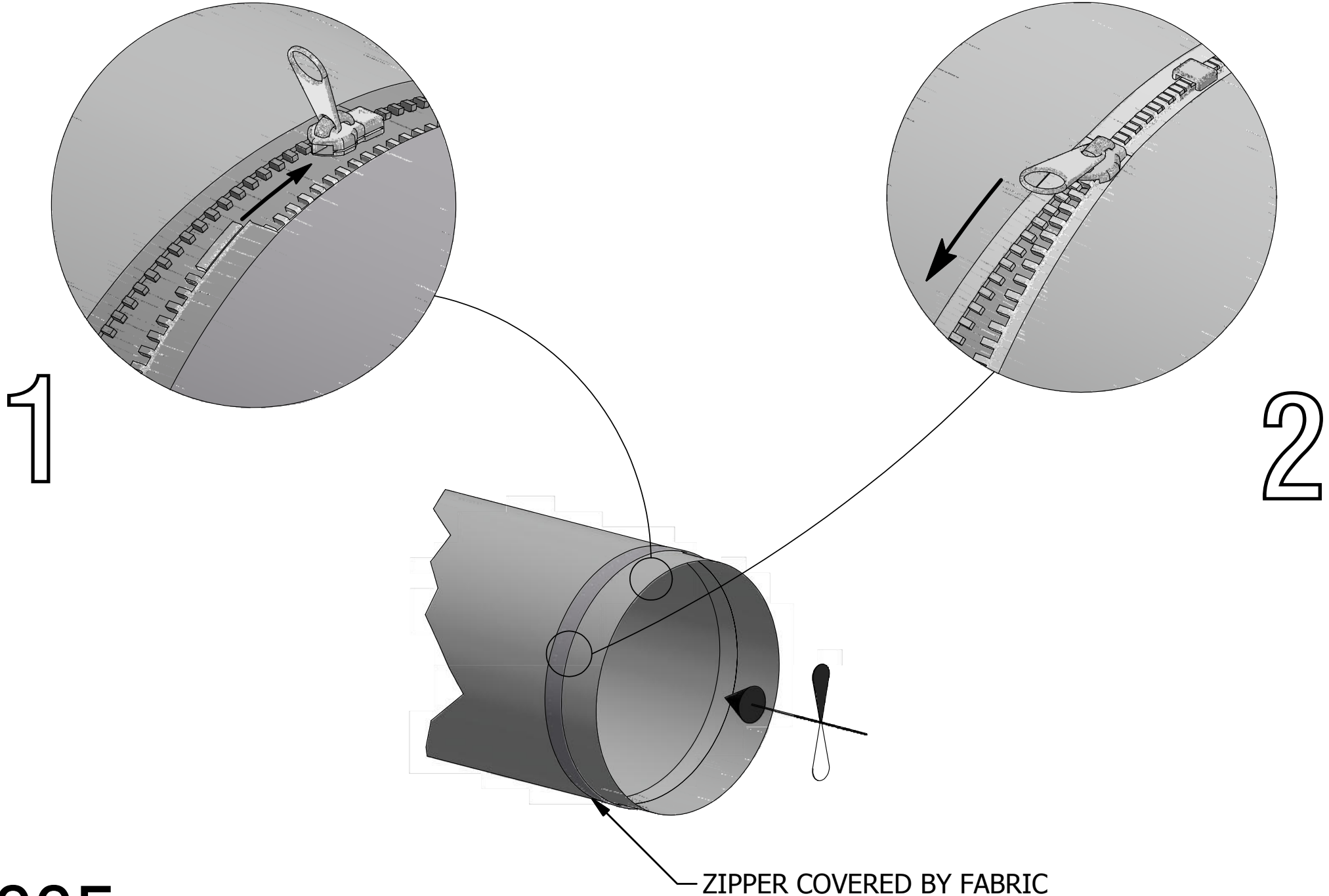


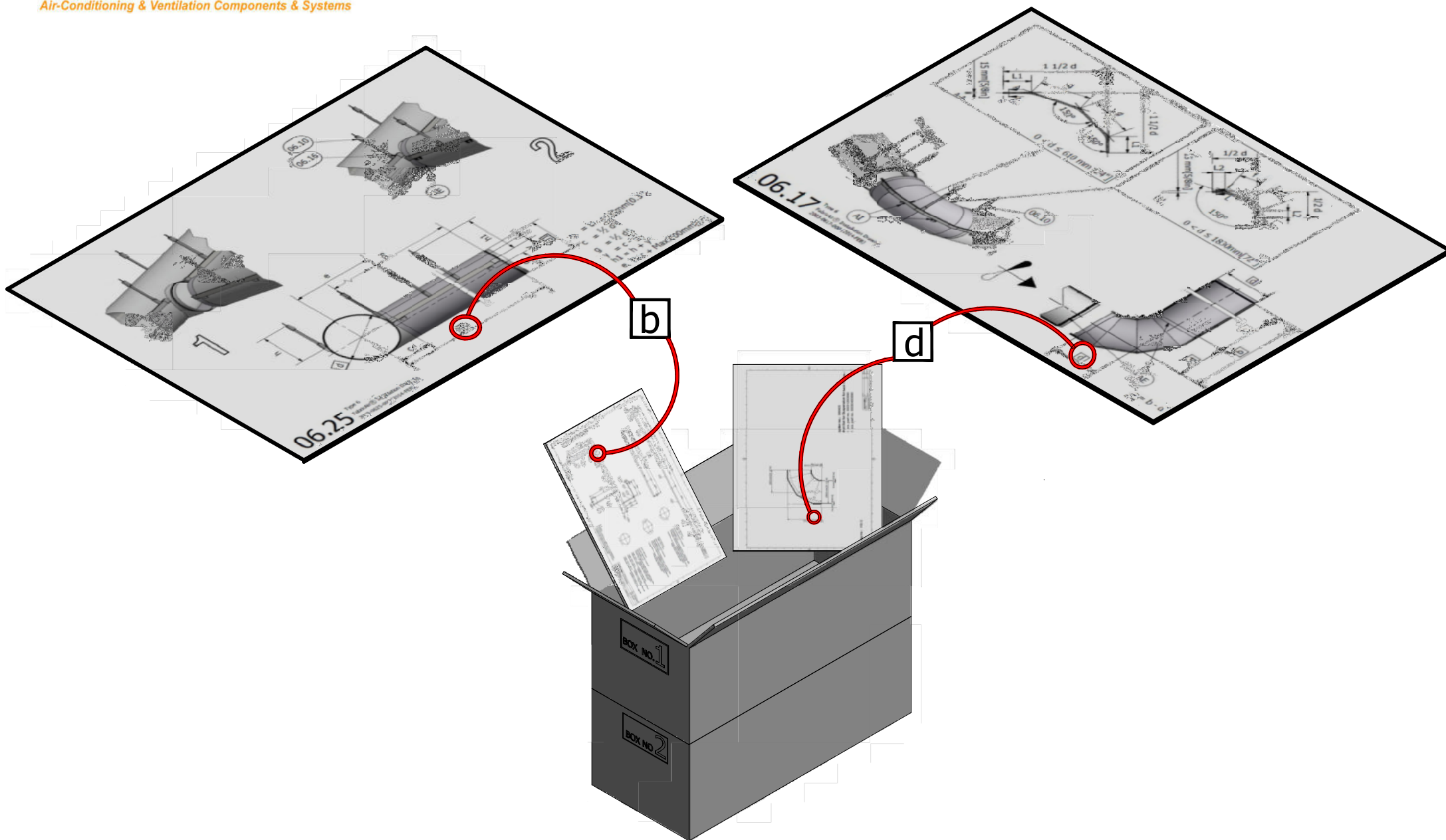
2

MOUNTING BELT

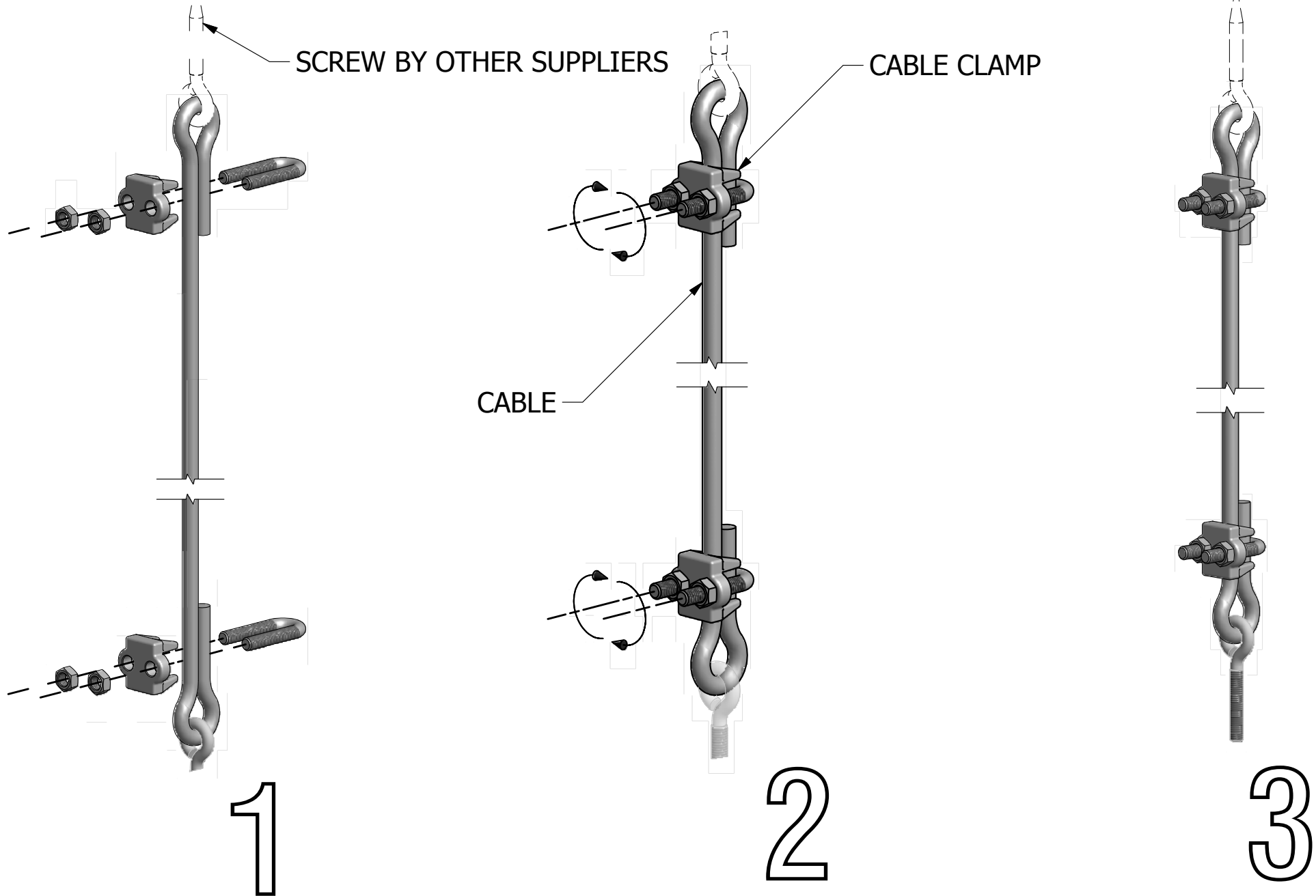


4

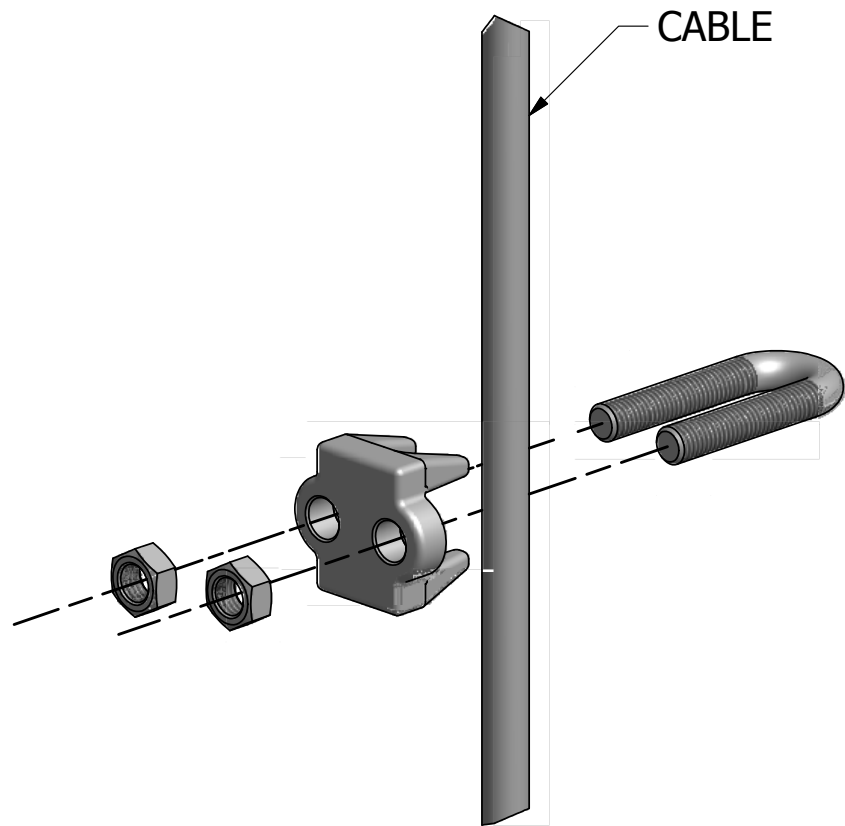




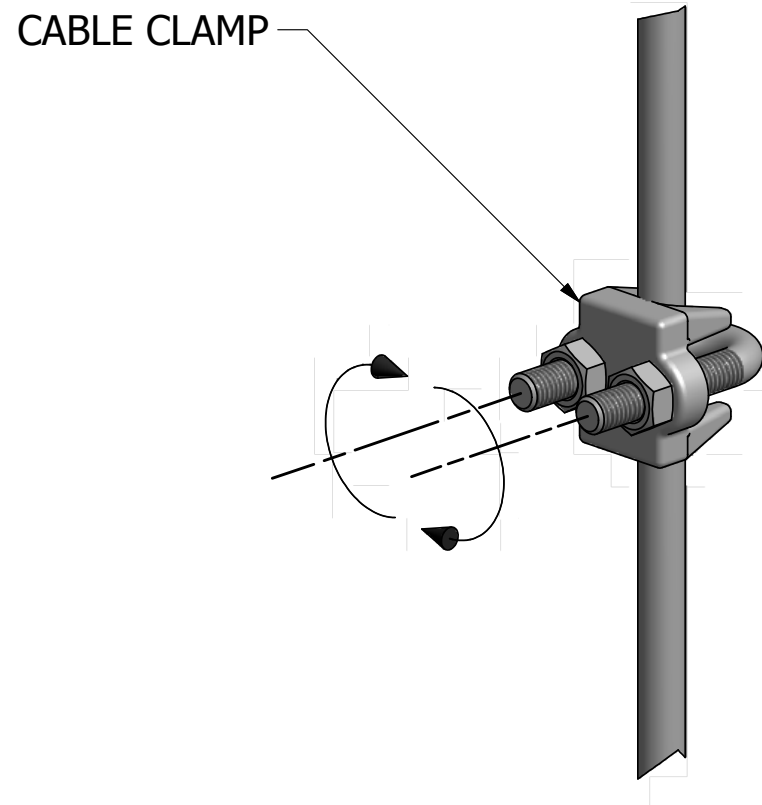
Note:  
The Dimensions given in squares can be found in system drawing which is in box 1 .



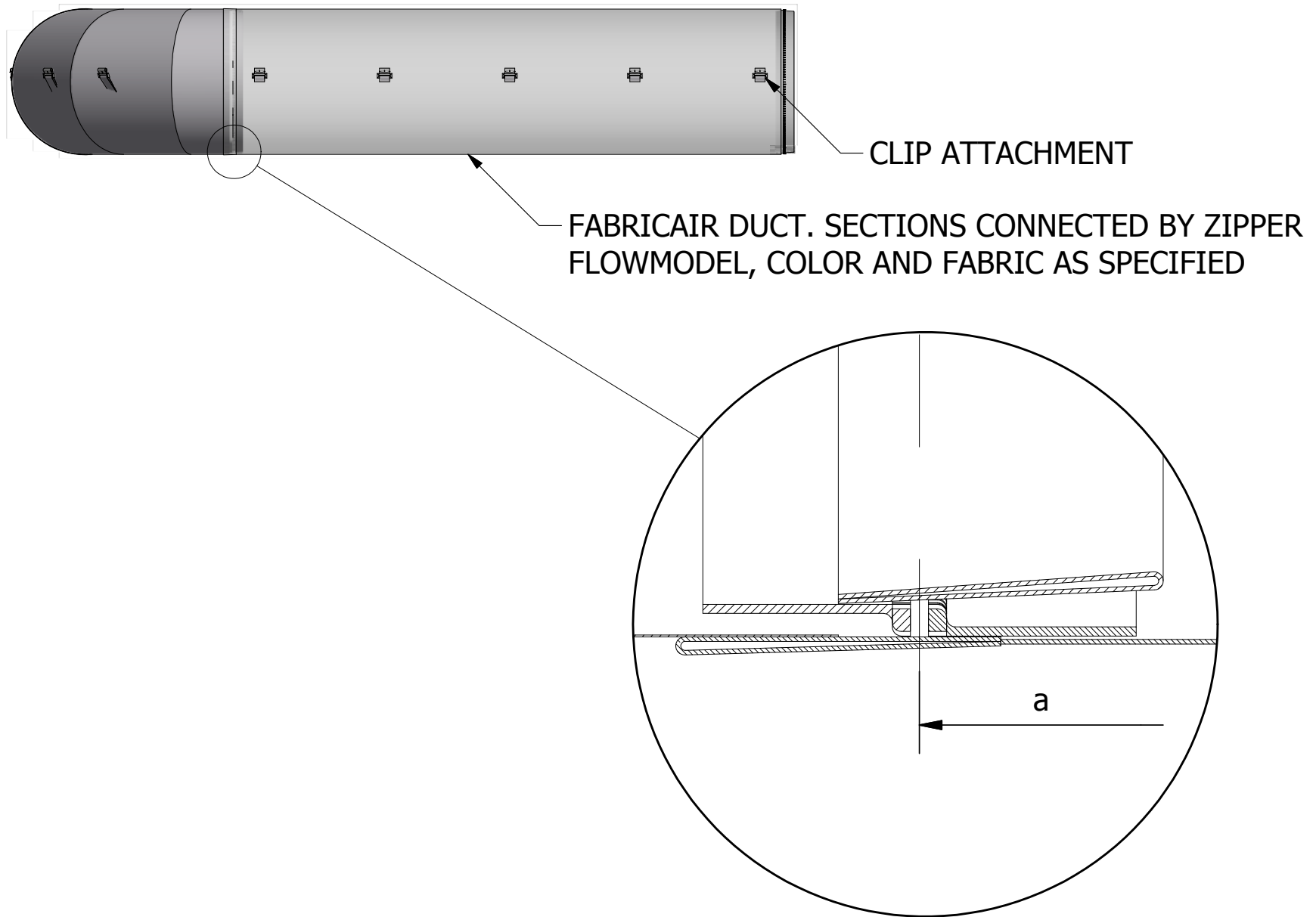




1

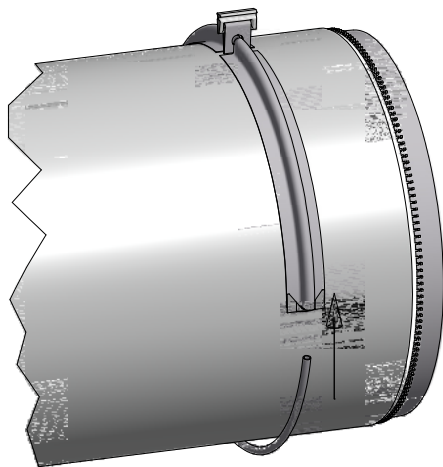


2



# ASSEMBLY

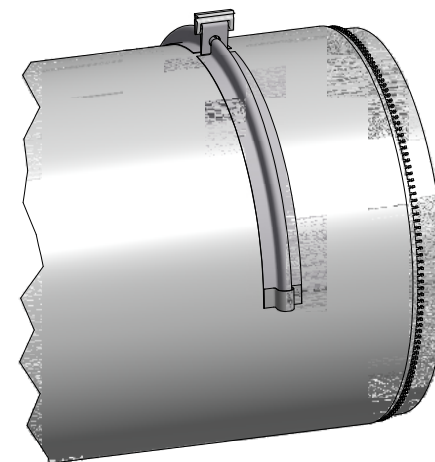
1



2

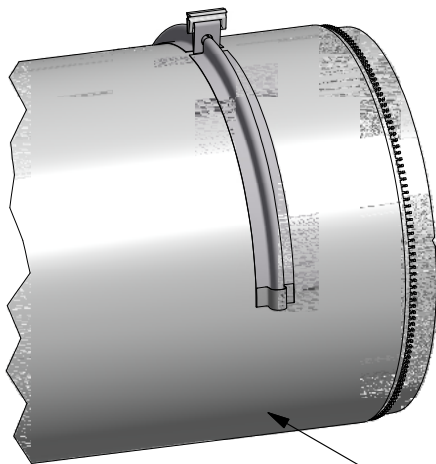


3

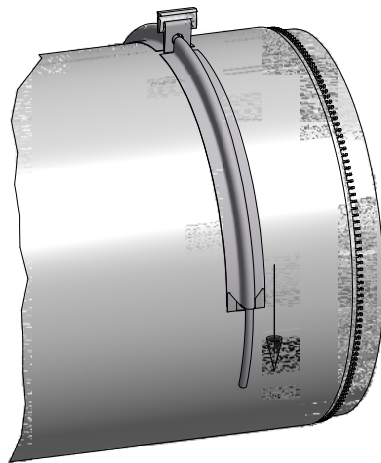


# DISASSEMBLY

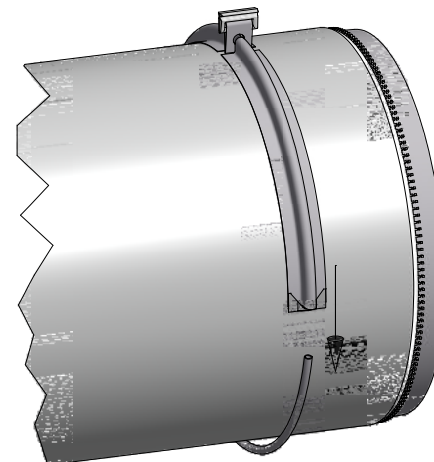
1



2



3



ALL IN ONE ROD

FABRICAIR DUCT. SECTIONS CONNECTED BY ZIPPER FLOWMODEL, COLOR AND FABRIC AS SPECIFIED

**G027**

FabricAir® Installation Drawing  
2003-G027-000 (2014-FEB)

ORDER NO : 1473677

## CONTENTS OF BOX NO. 1/2:

INSTRUCTION BAG 1 pcs.  
-Drawing Included 1 pcs.

### Distribution Ducts

Tag no. 100.1 Inlet Ø 1060 x 100 2 pcs.  
Tag no. 100.2 Inlet Ø 1060 x 2625 2 pcs.  
Tag no. 100.5 Inlet Ø 500 x 1000 x 9330 2 pcs.

### Suspensions

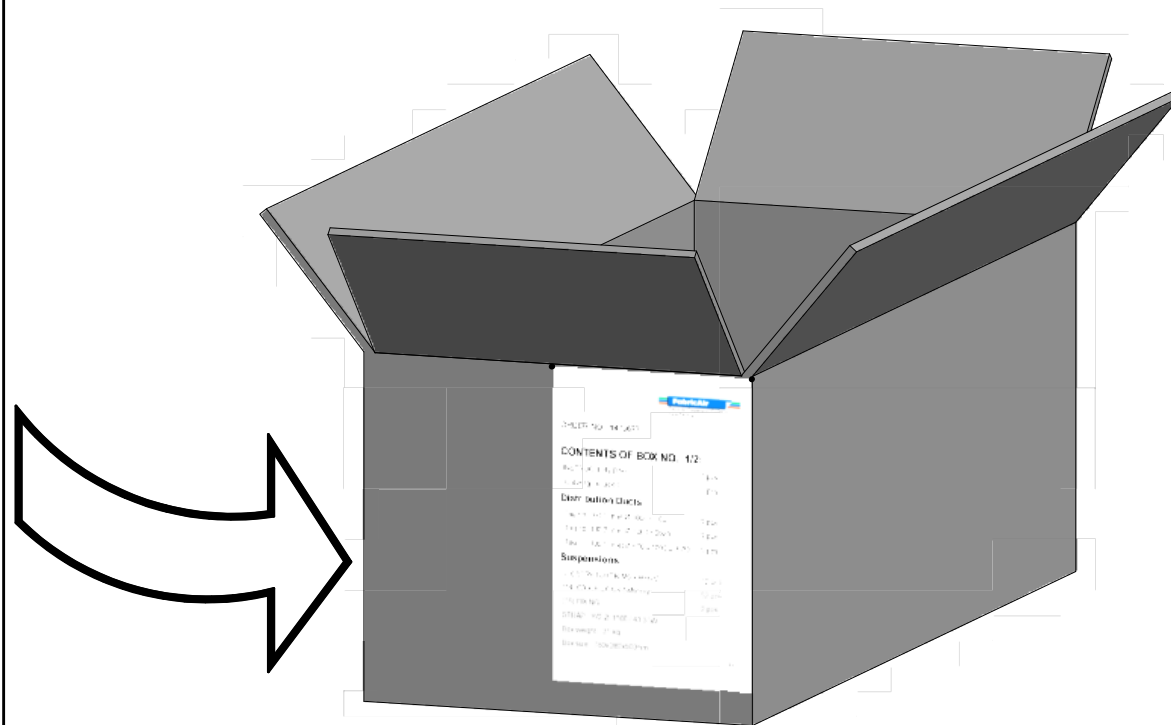
(05) STRETCHER M6 x 90,GV 12 pcs  
(14) CABLE LOCK 5MM,GV 52 pcs  
(18) FIXING 2 pcs

STRAP , Y/2 , Ø 1100 / 43.3 "W

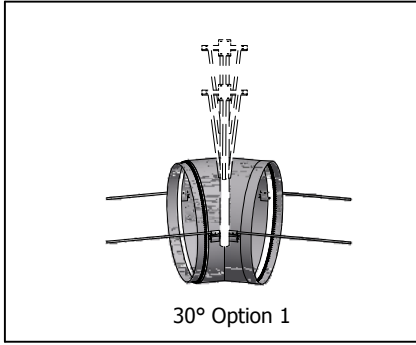
Box weight : 31 kg

Box size : 780x380x500mm

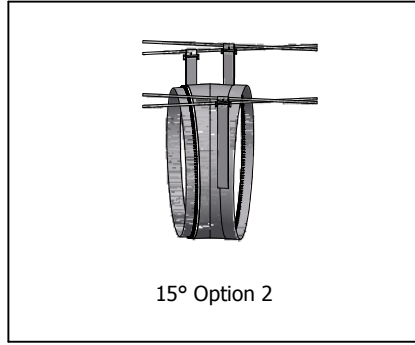
Label 1/1



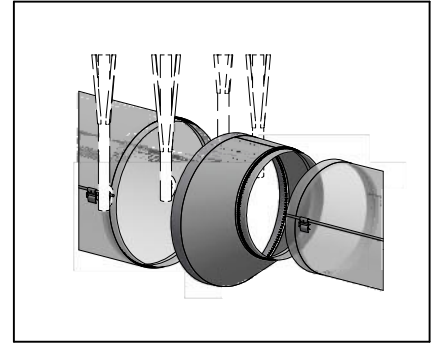
02.14



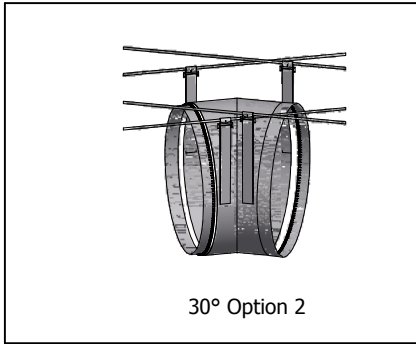
02.19



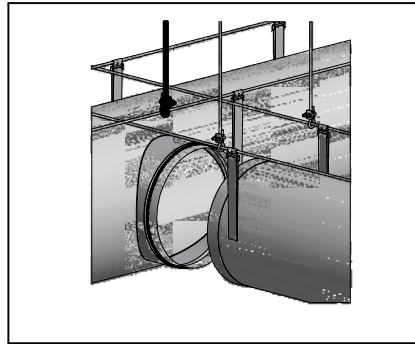
02.23



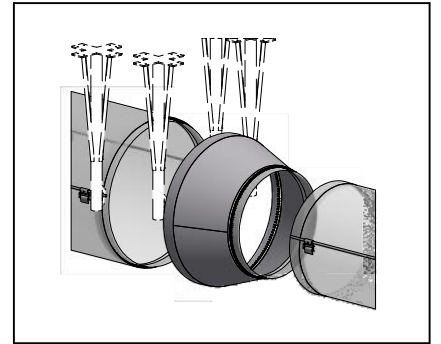
02.15



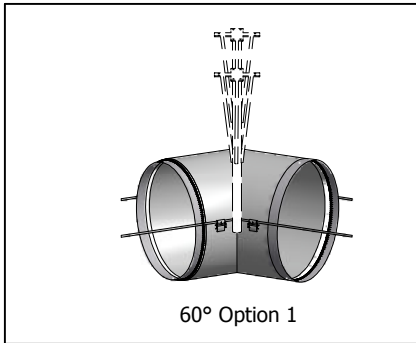
02.20



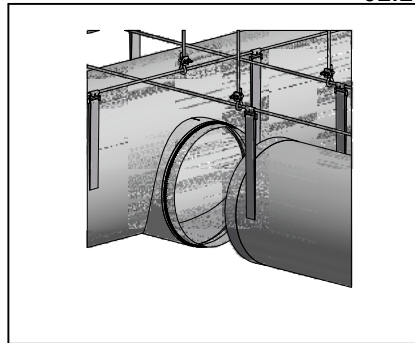
02.24



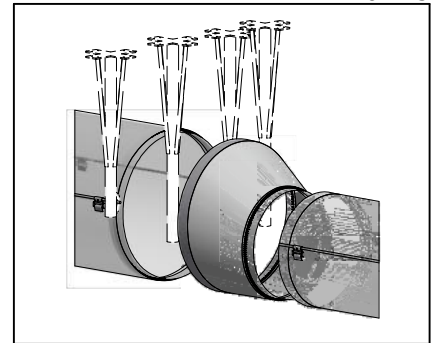
02.16



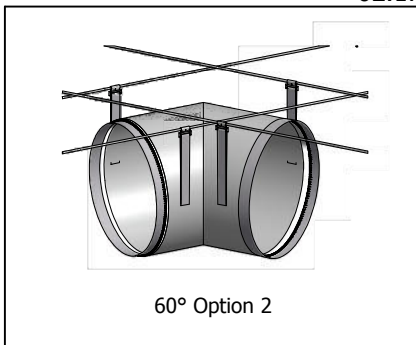
02.21



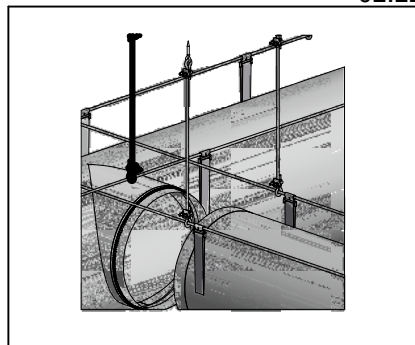
02.25



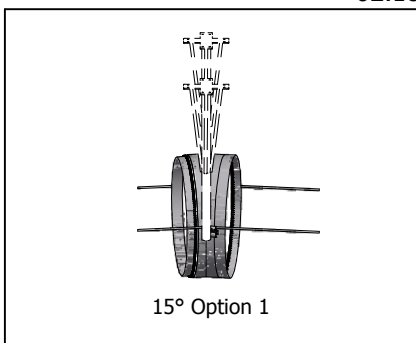
02.17



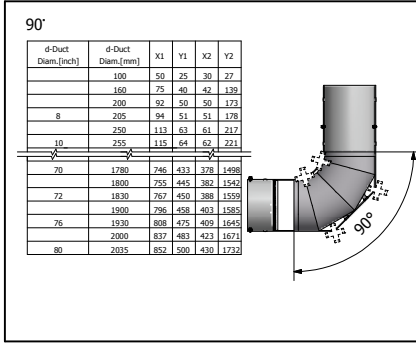
02.22



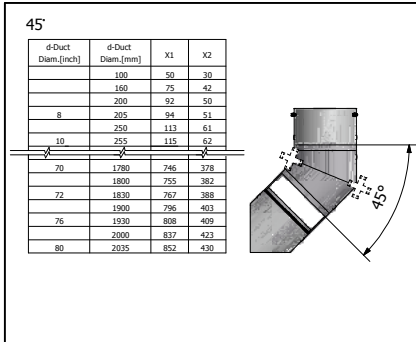
02.18



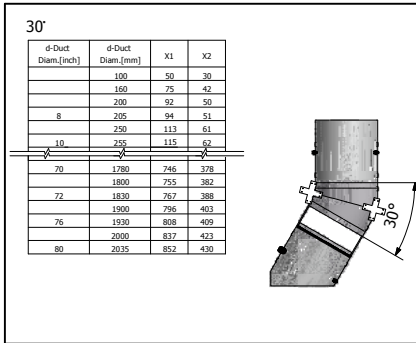
02.37



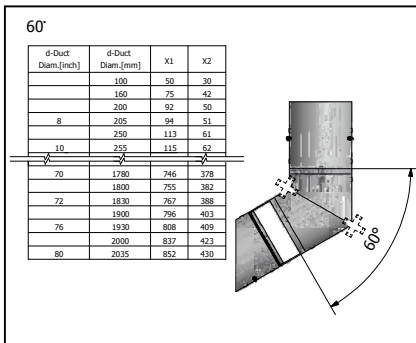
02.38



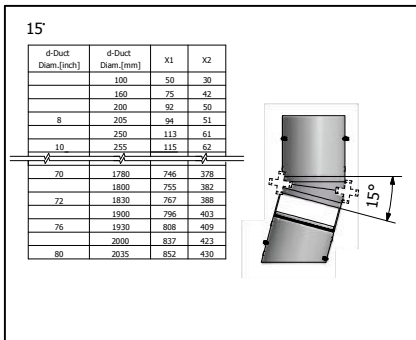
02.39



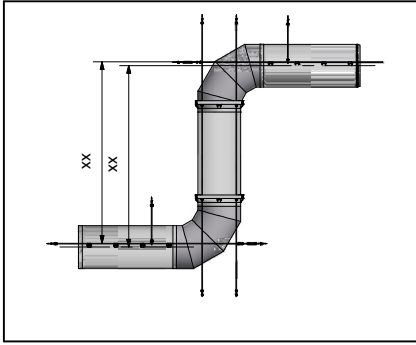
02.40



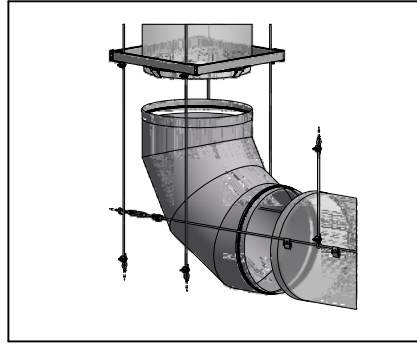
02.41



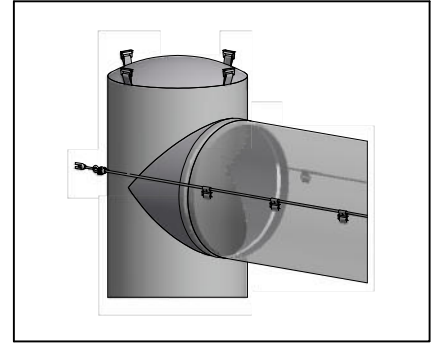
02.26



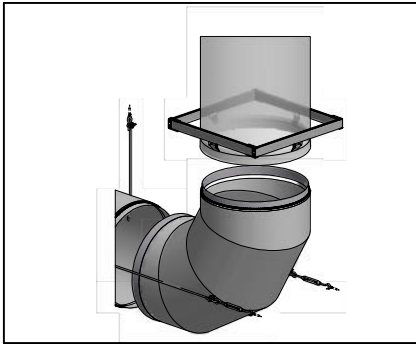
02.31



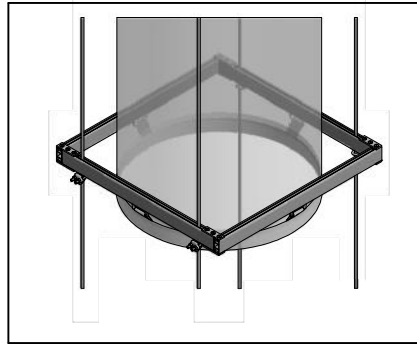
02.35



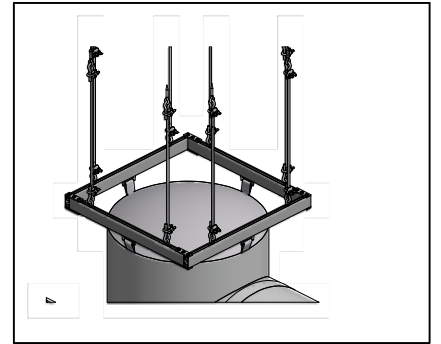
02.27



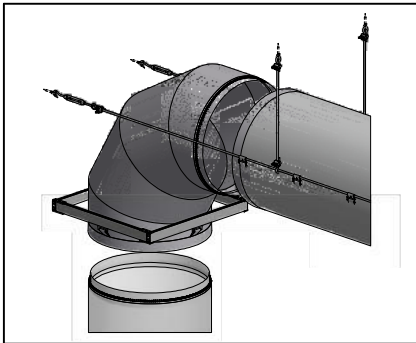
02.32



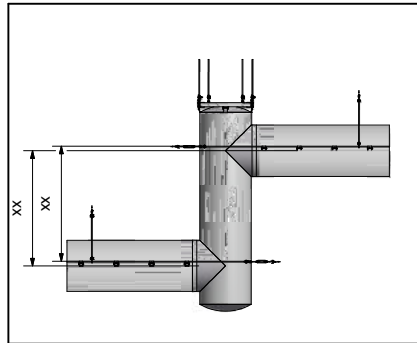
02.36



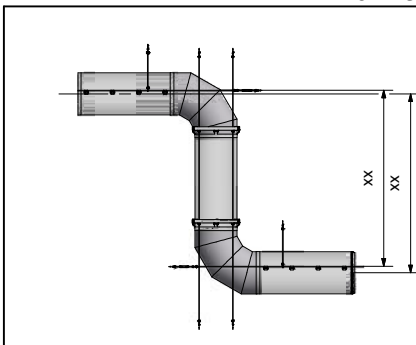
02.28



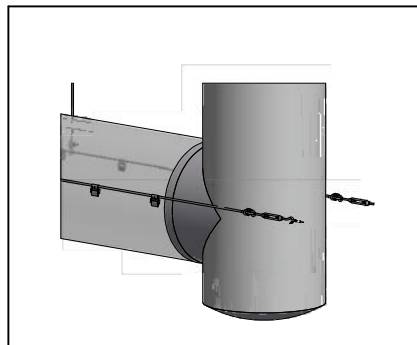
02.33



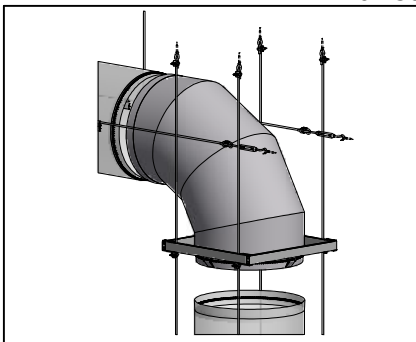
02.29

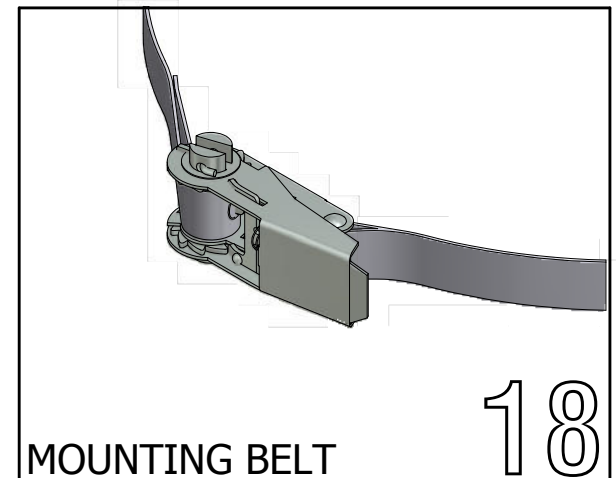
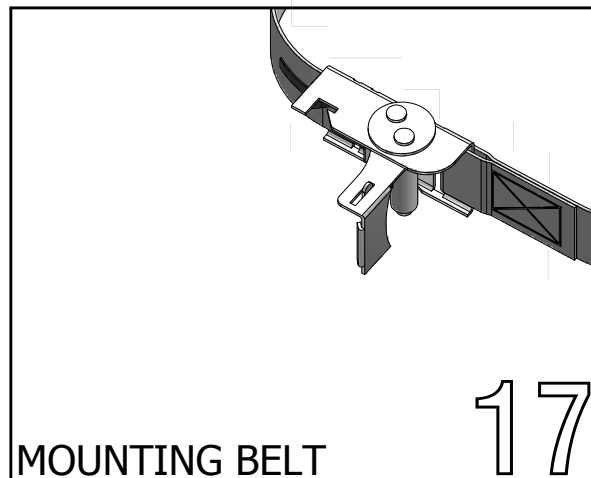
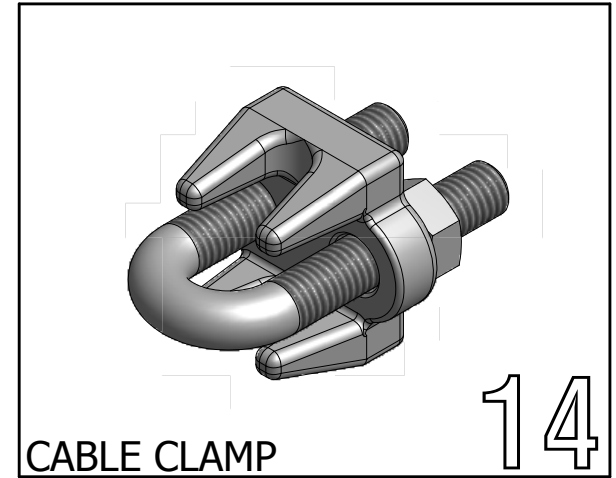
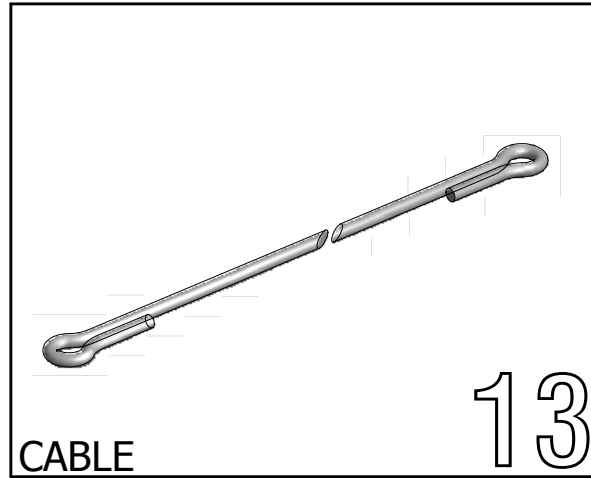
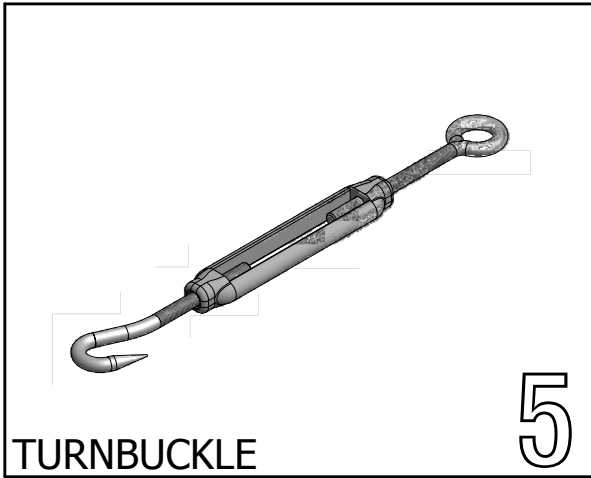


02.34

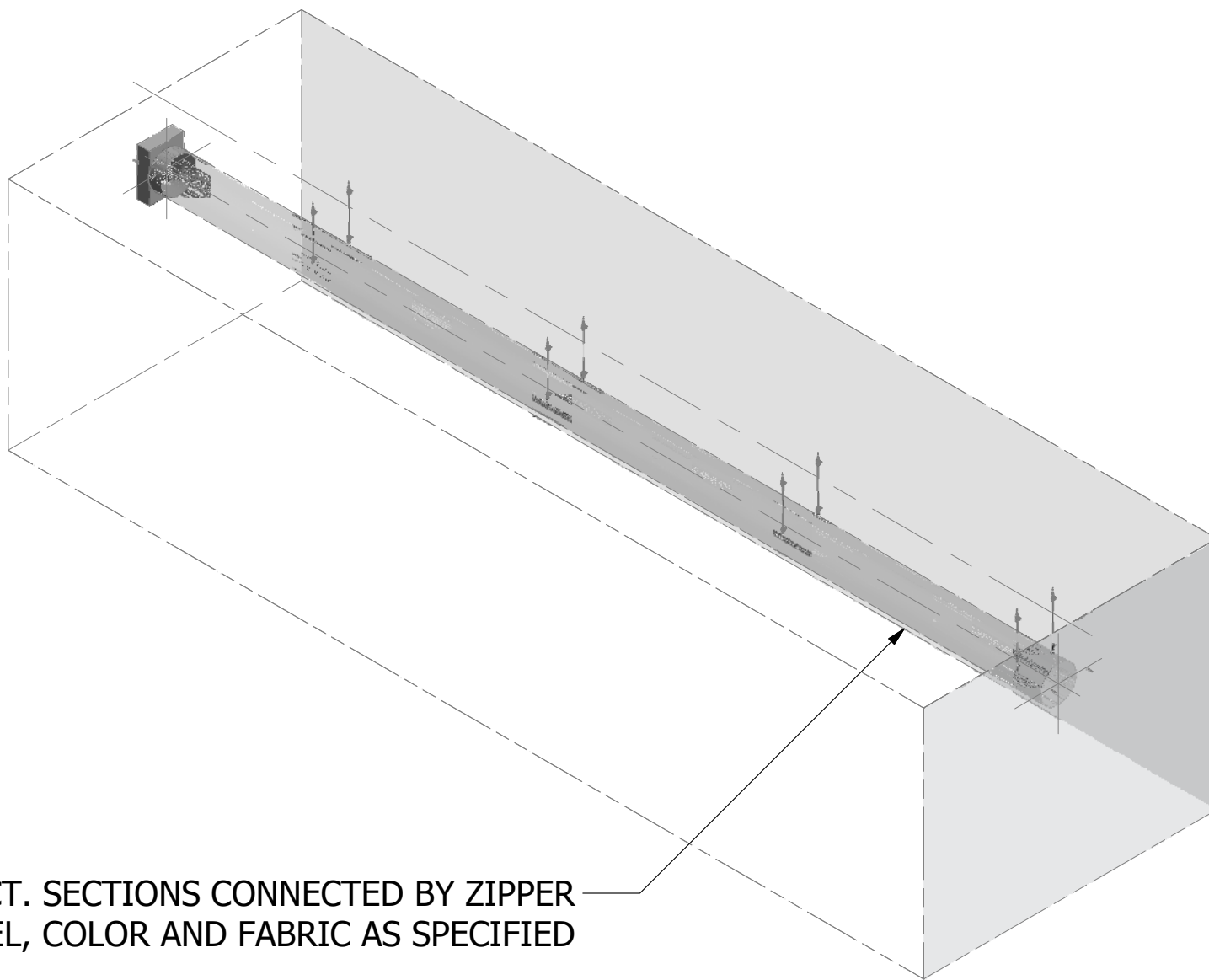


02.30

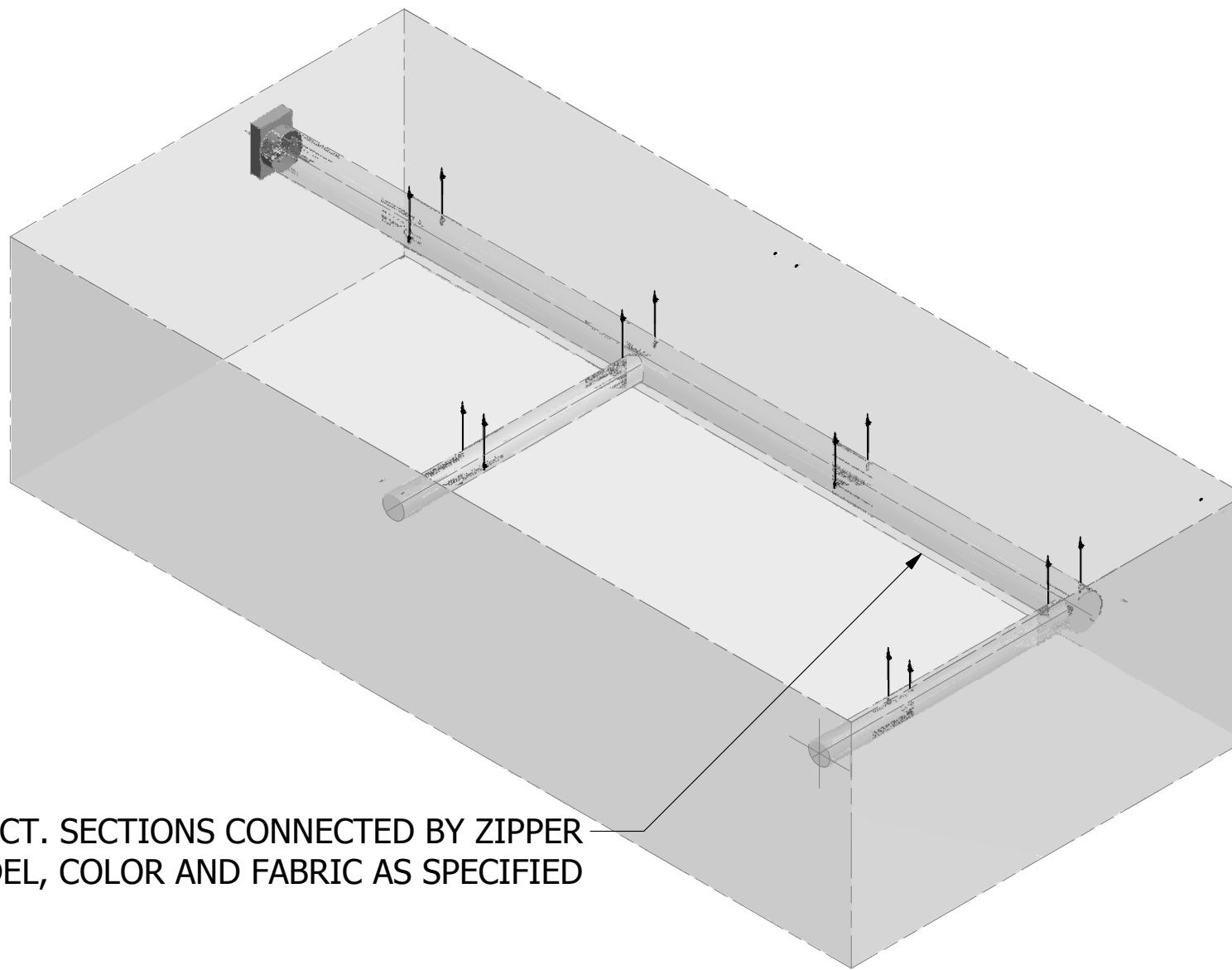




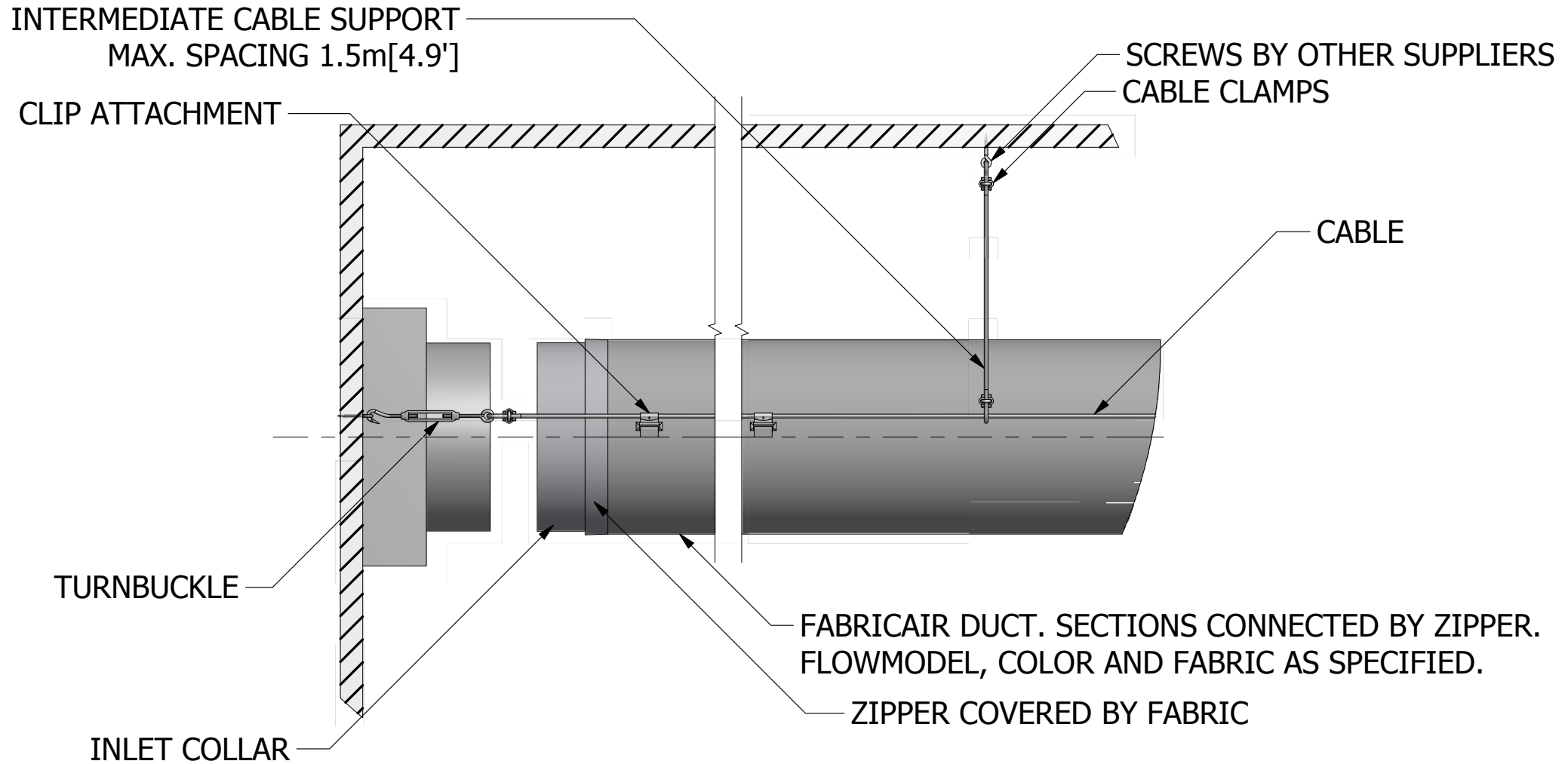


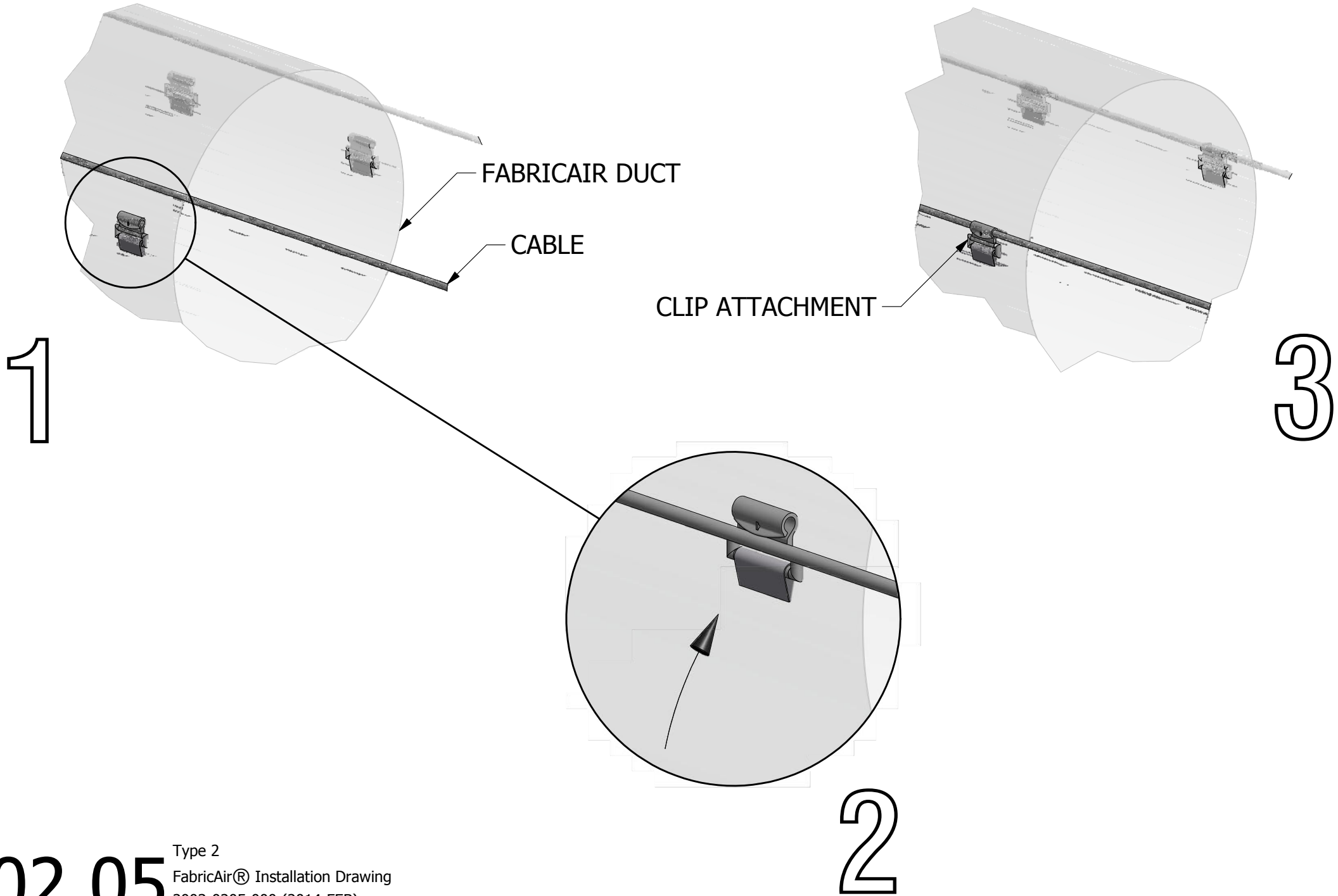


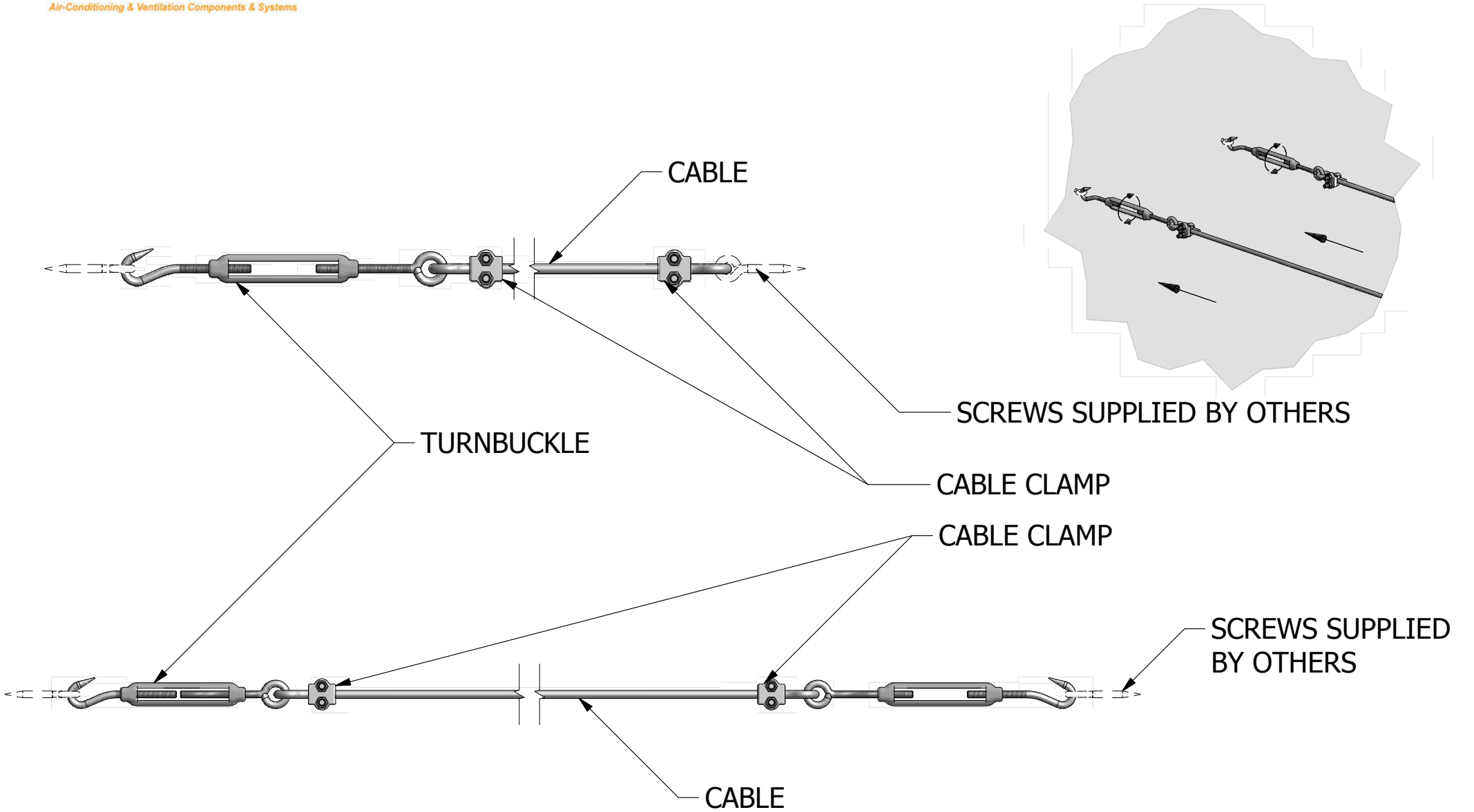
FABRICAIR DUCT. SECTIONS CONNECTED BY ZIPPER  
FLOWMODEL, COLOR AND FABRIC AS SPECIFIED

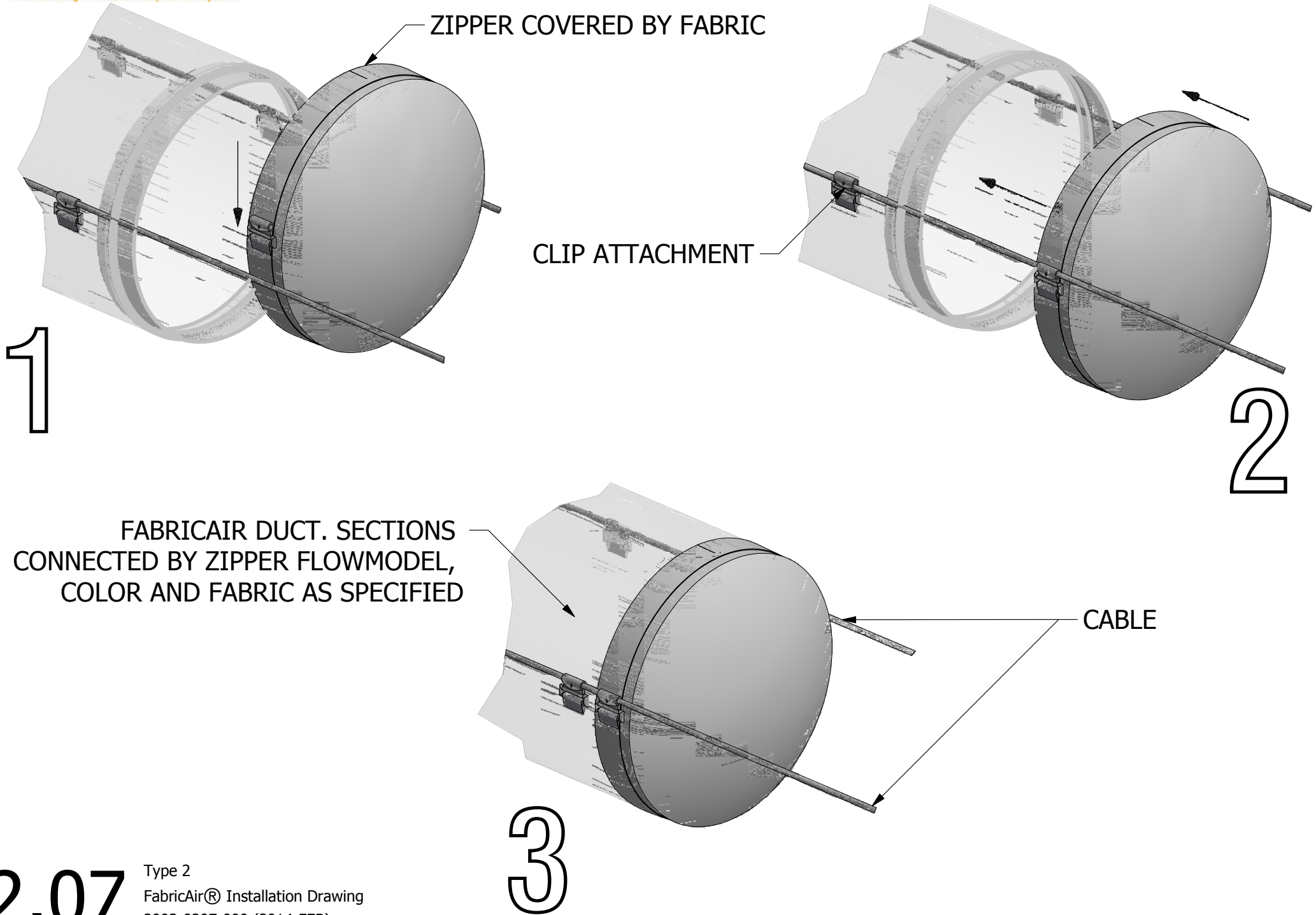


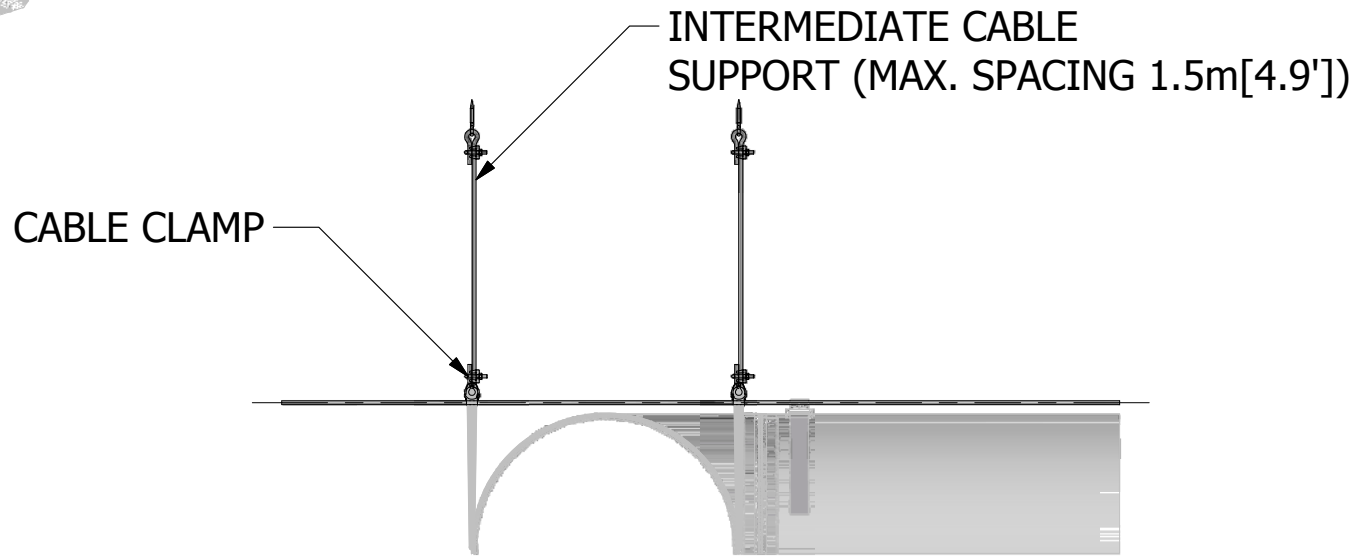
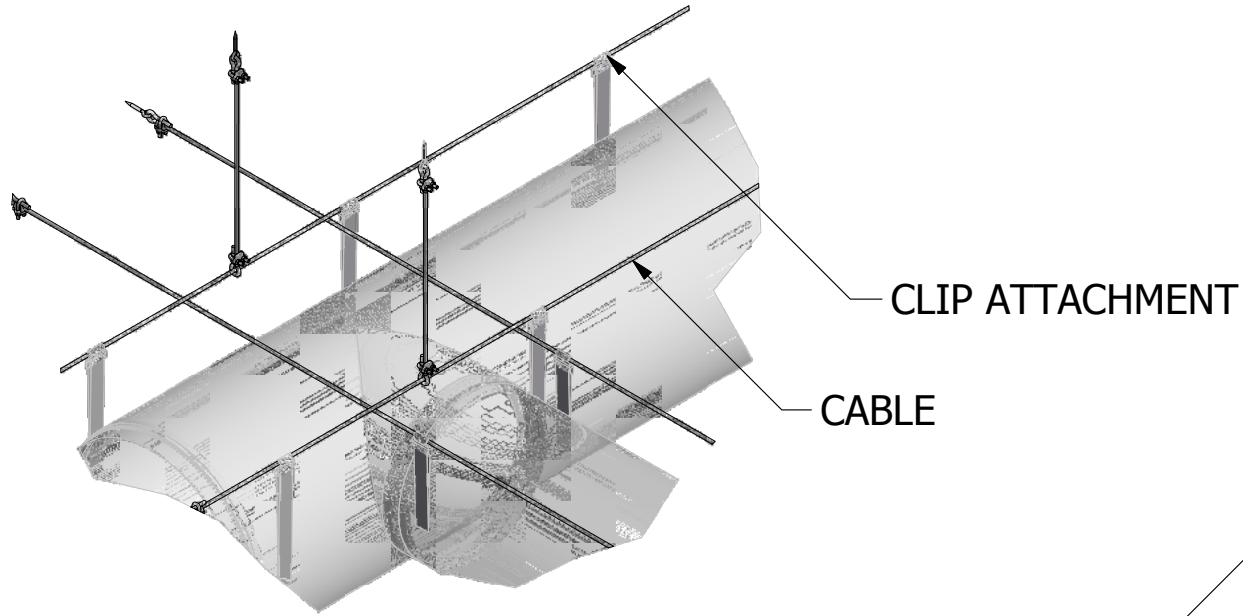
FABRICAIR DUCT. SECTIONS CONNECTED BY ZIPPER  
FLOWMODEL, COLOR AND FABRIC AS SPECIFIED

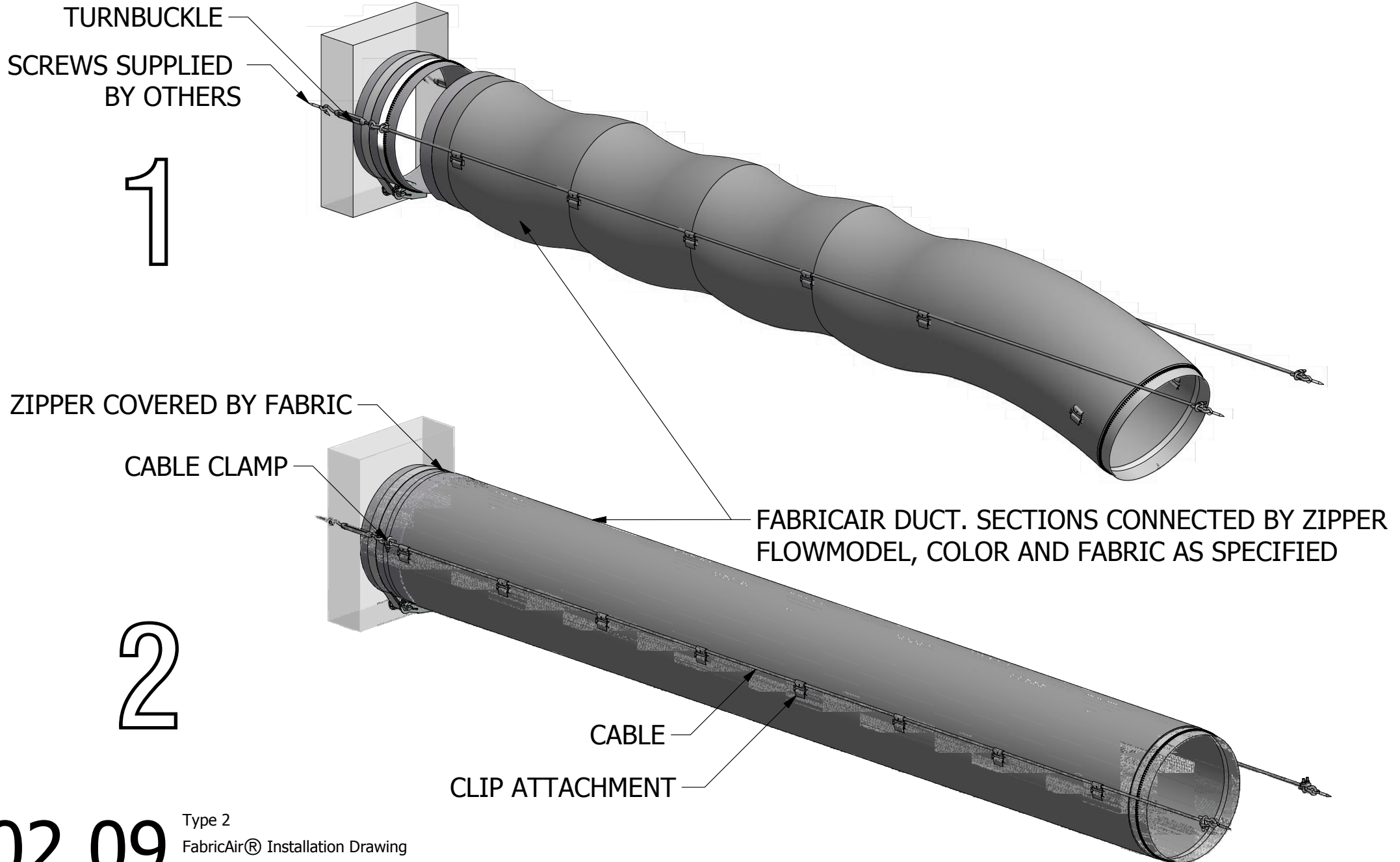






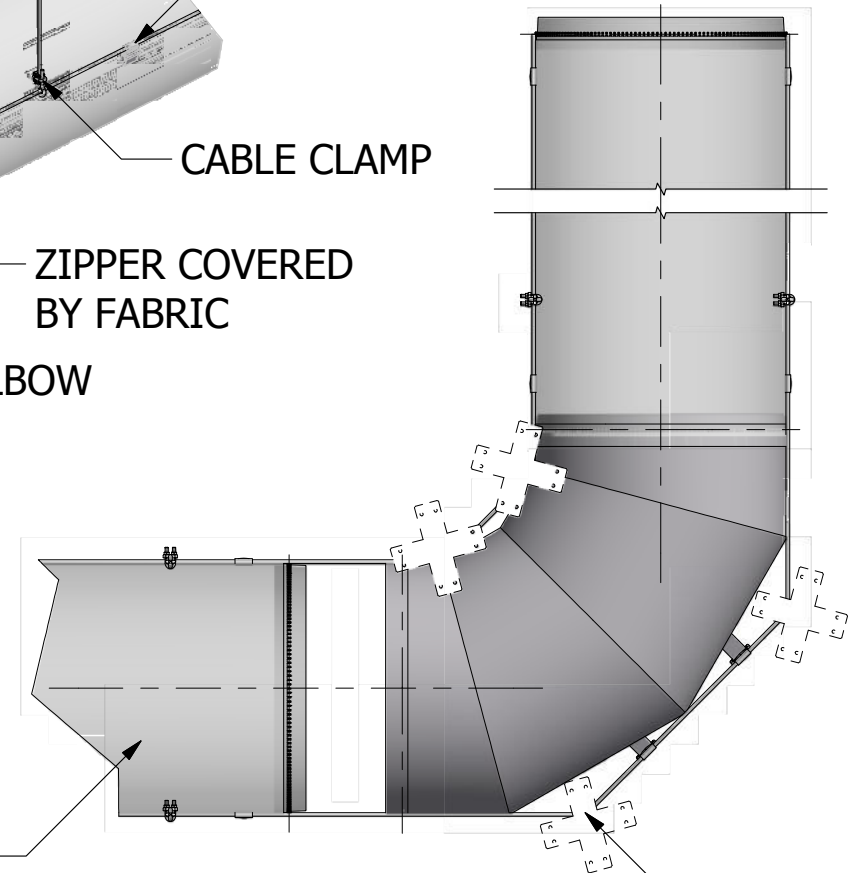
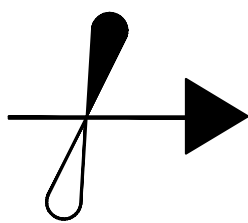
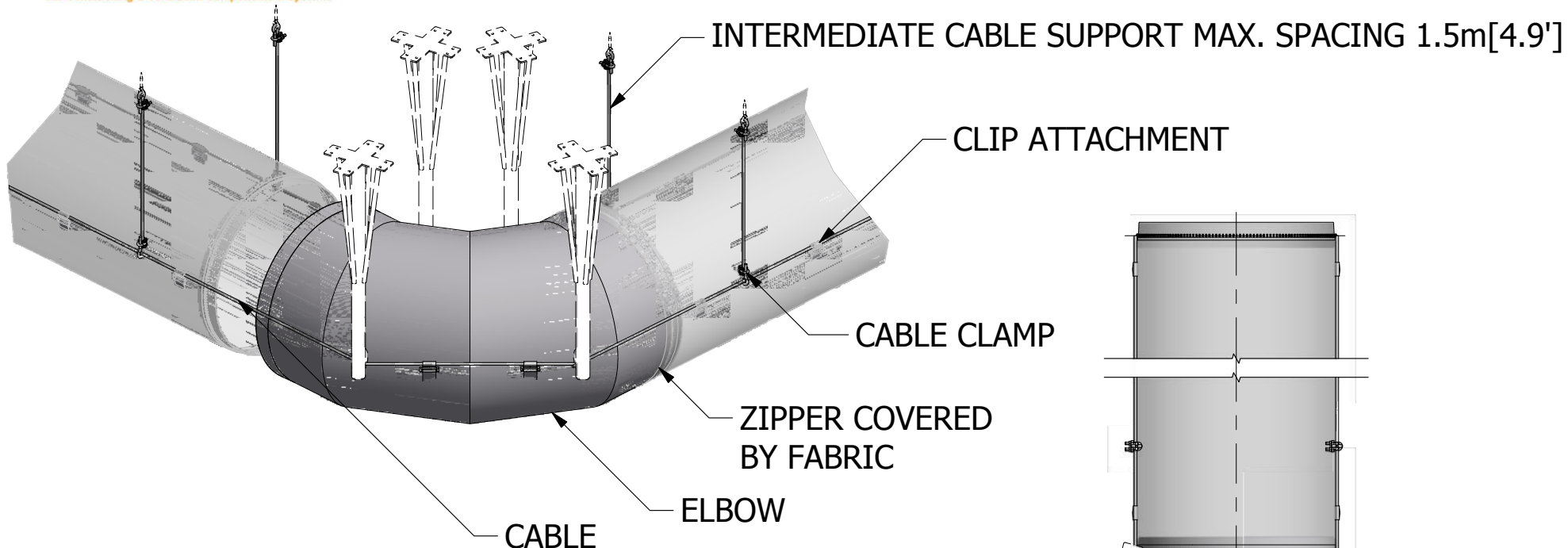






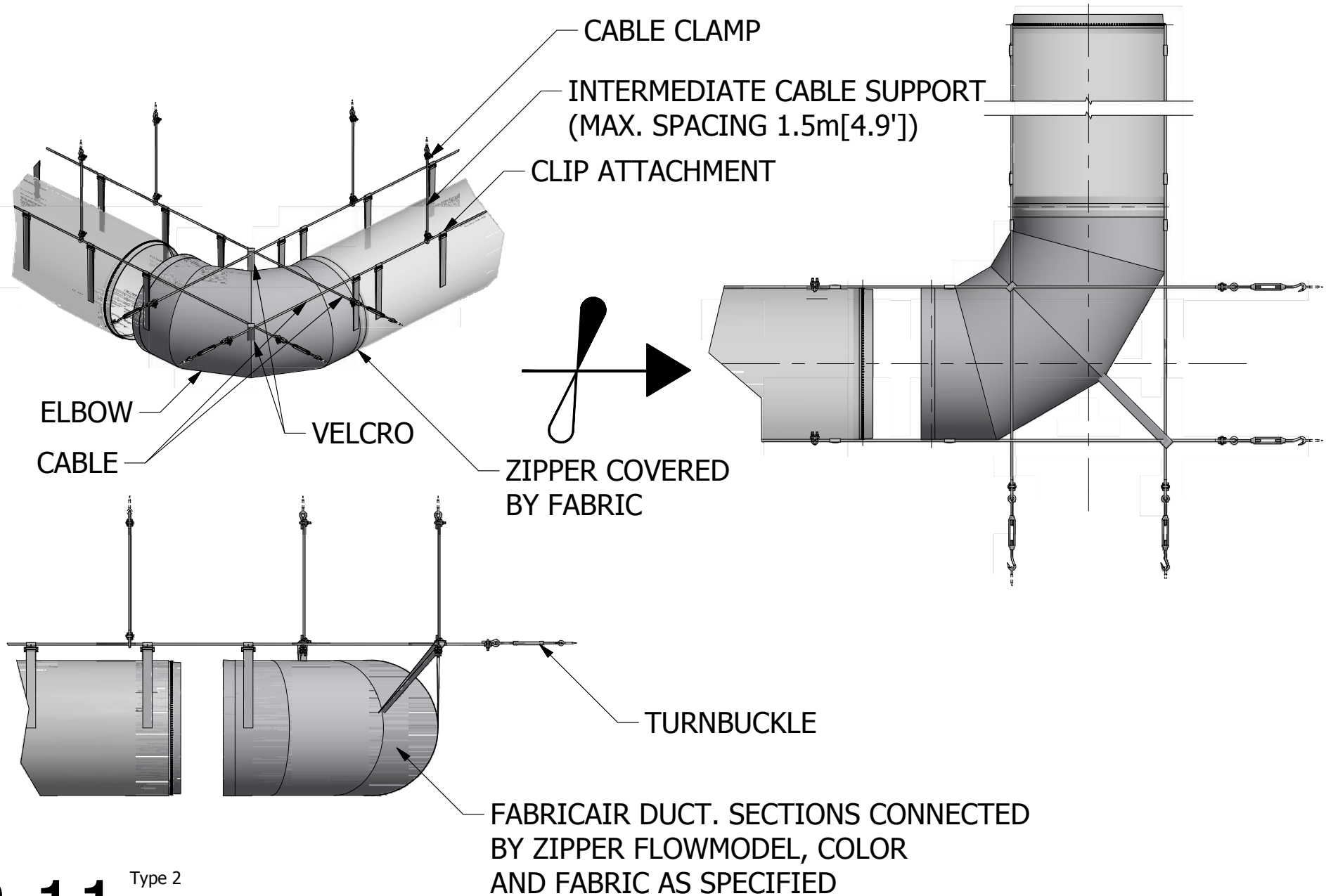
02.09





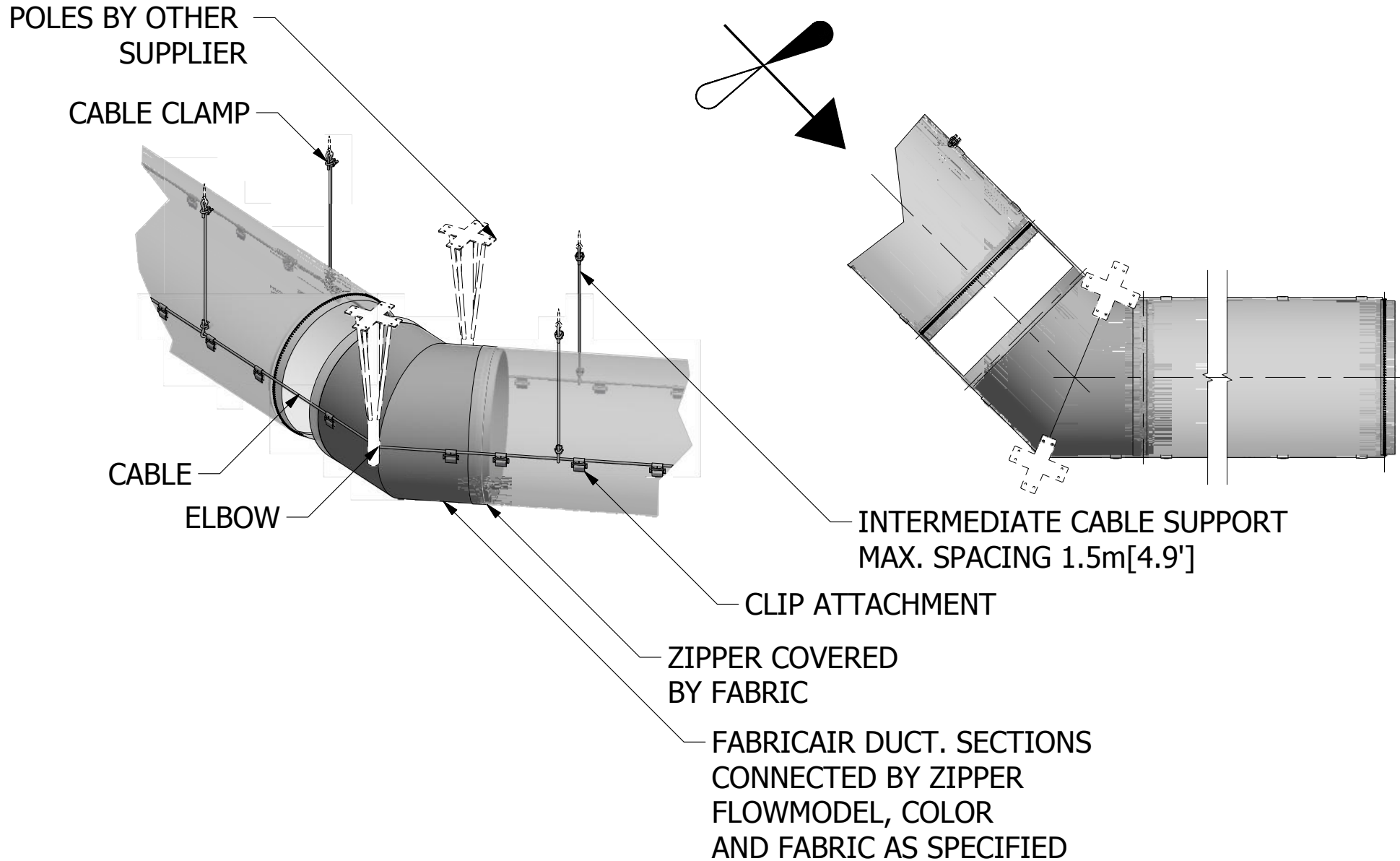
FABRICAIR DUCT. SECTIONS CONNECTED BY ZIPPER FLOWMODEL, COLOR AND FABRIC AS SPECIFIED

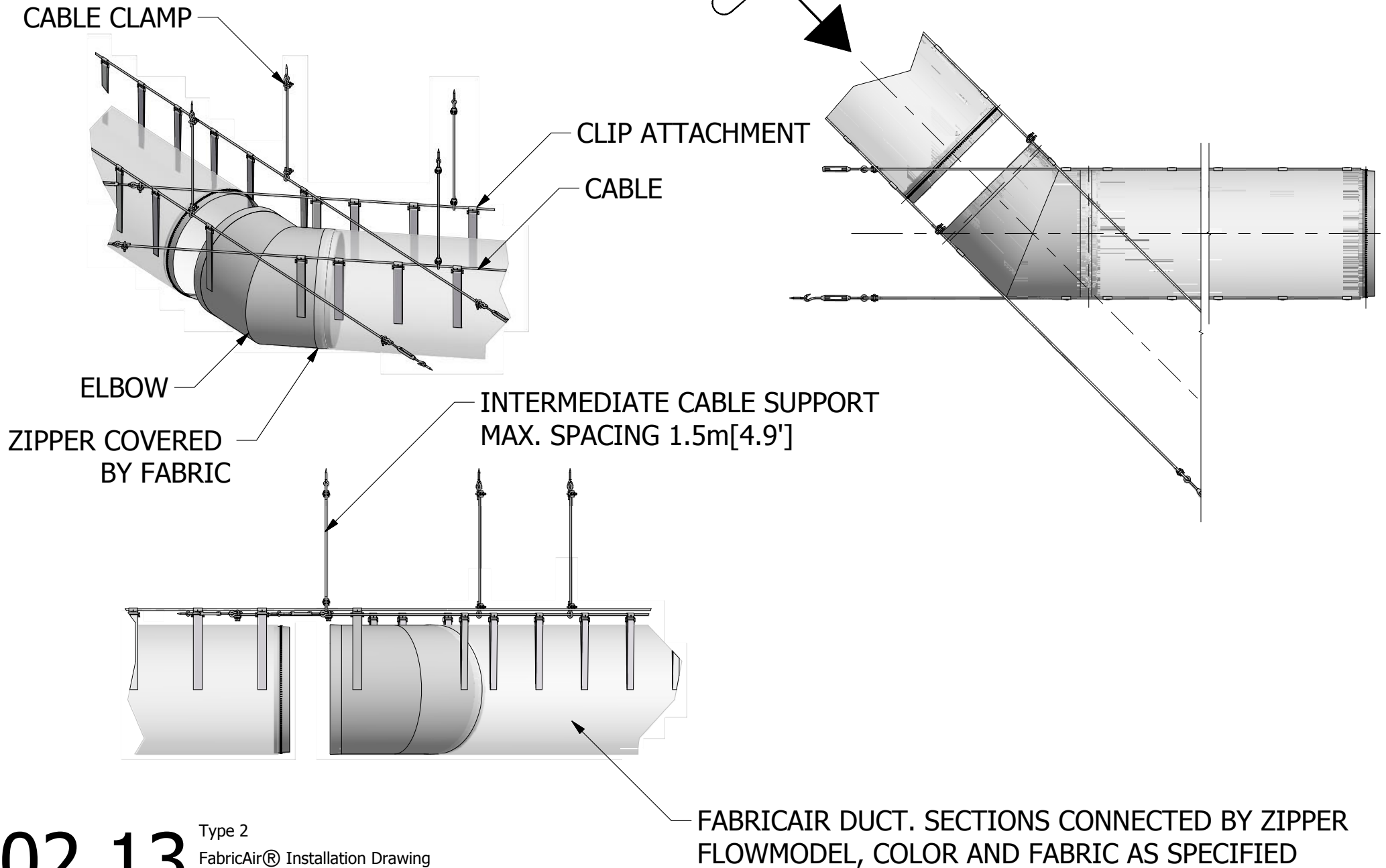
POLE BY OTHER SUPPLIERS



**02.11**

Type 2  
FabricAir® Installation Drawing  
2003-0211-000 (2014-FEB)

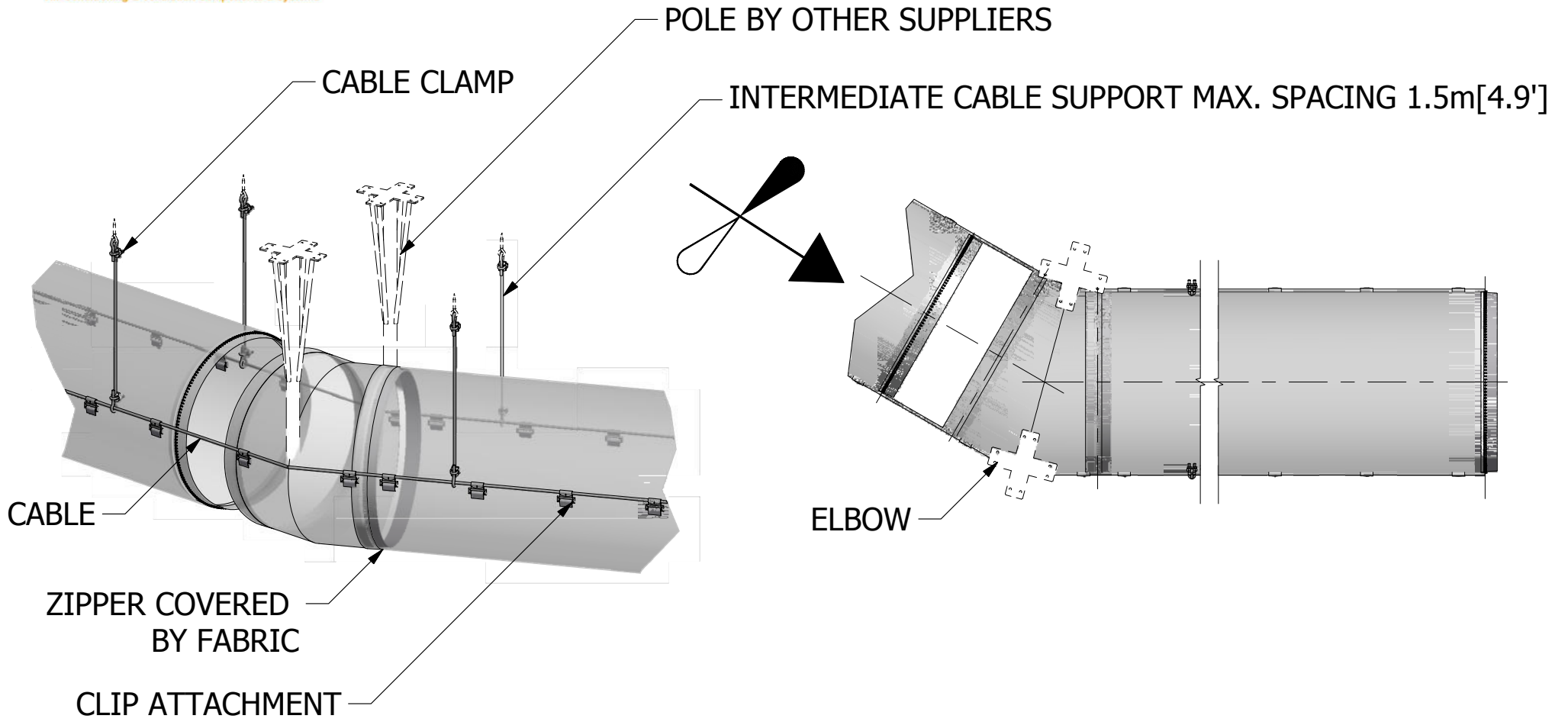


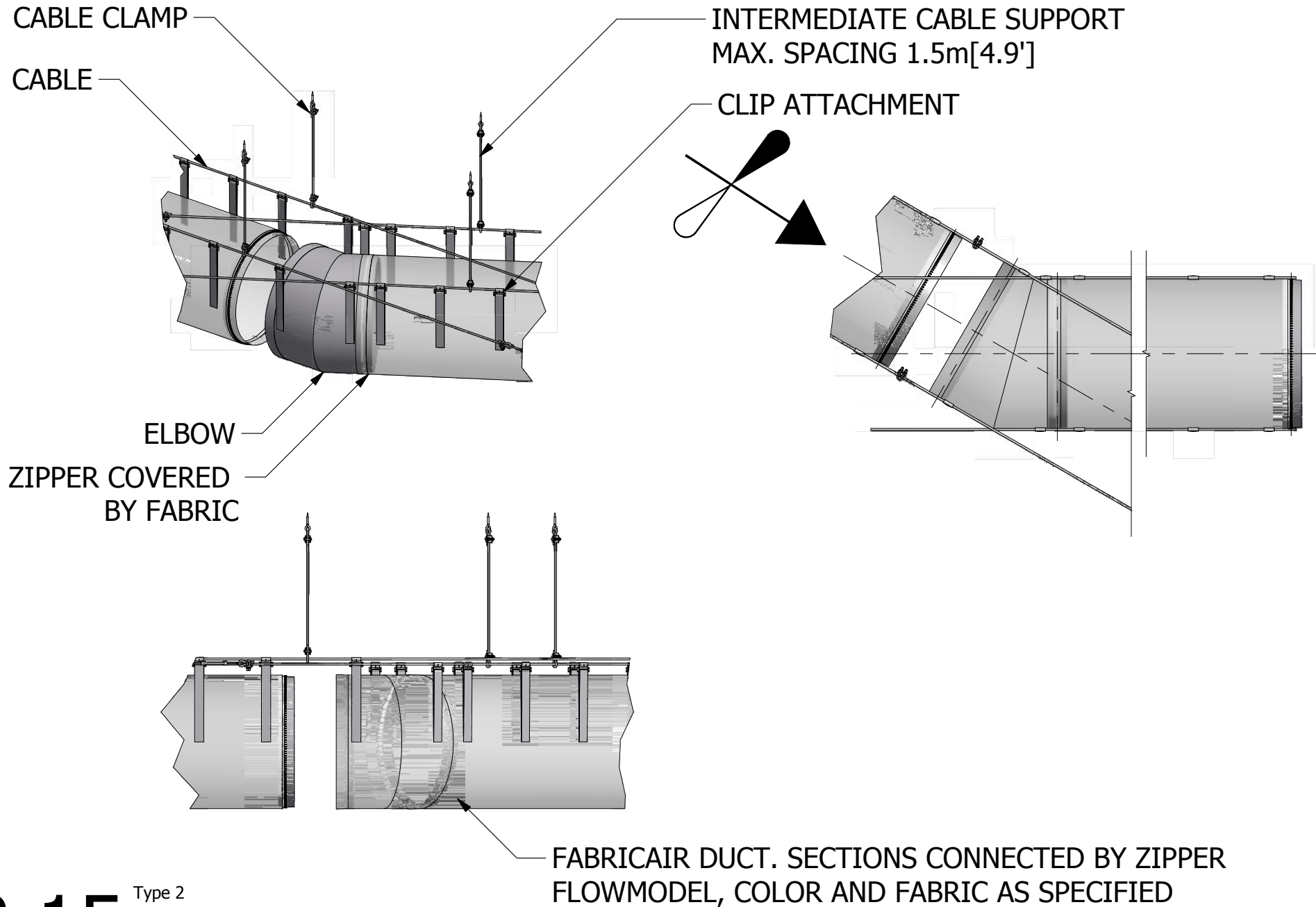


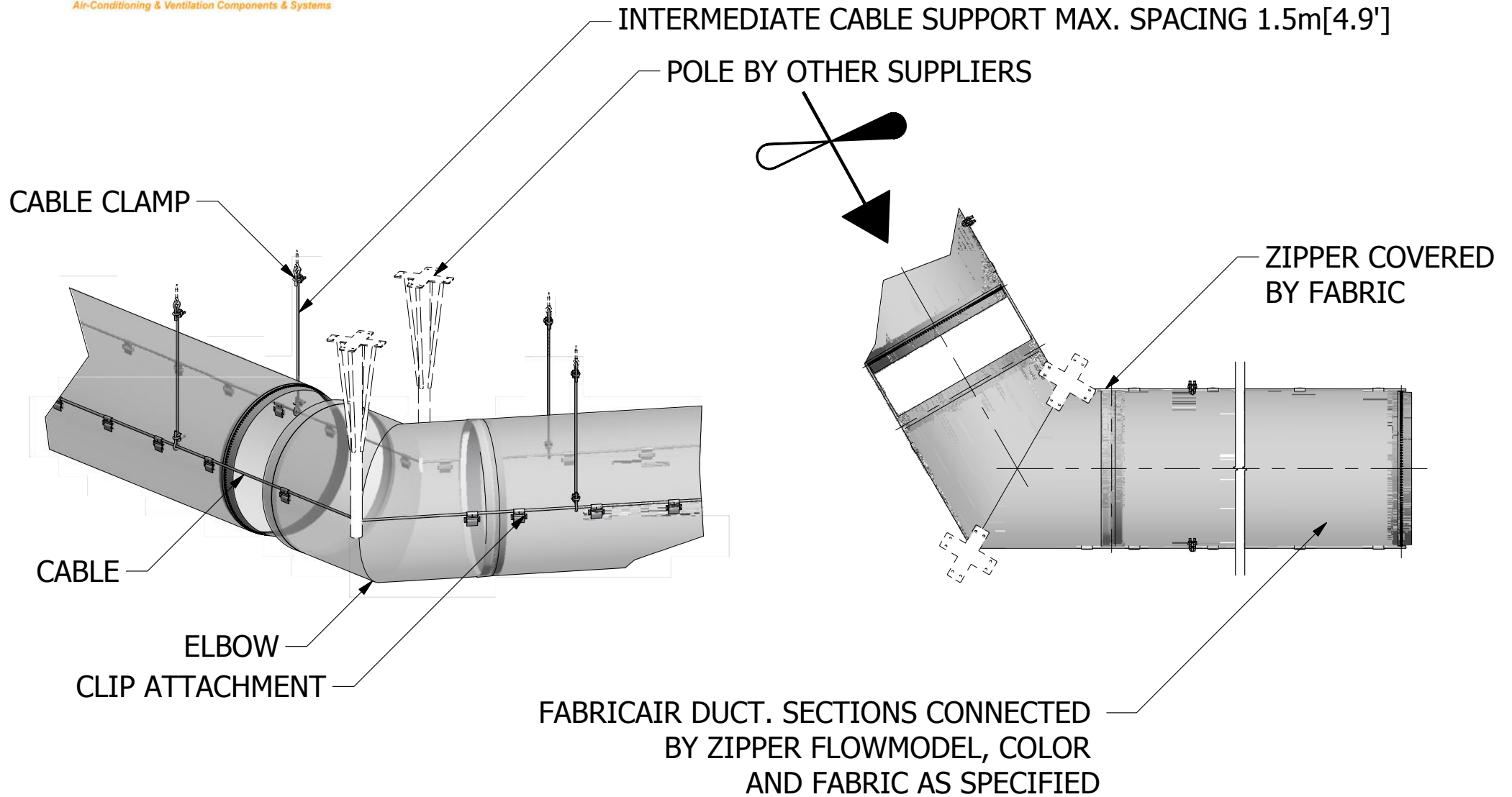
**02.13**

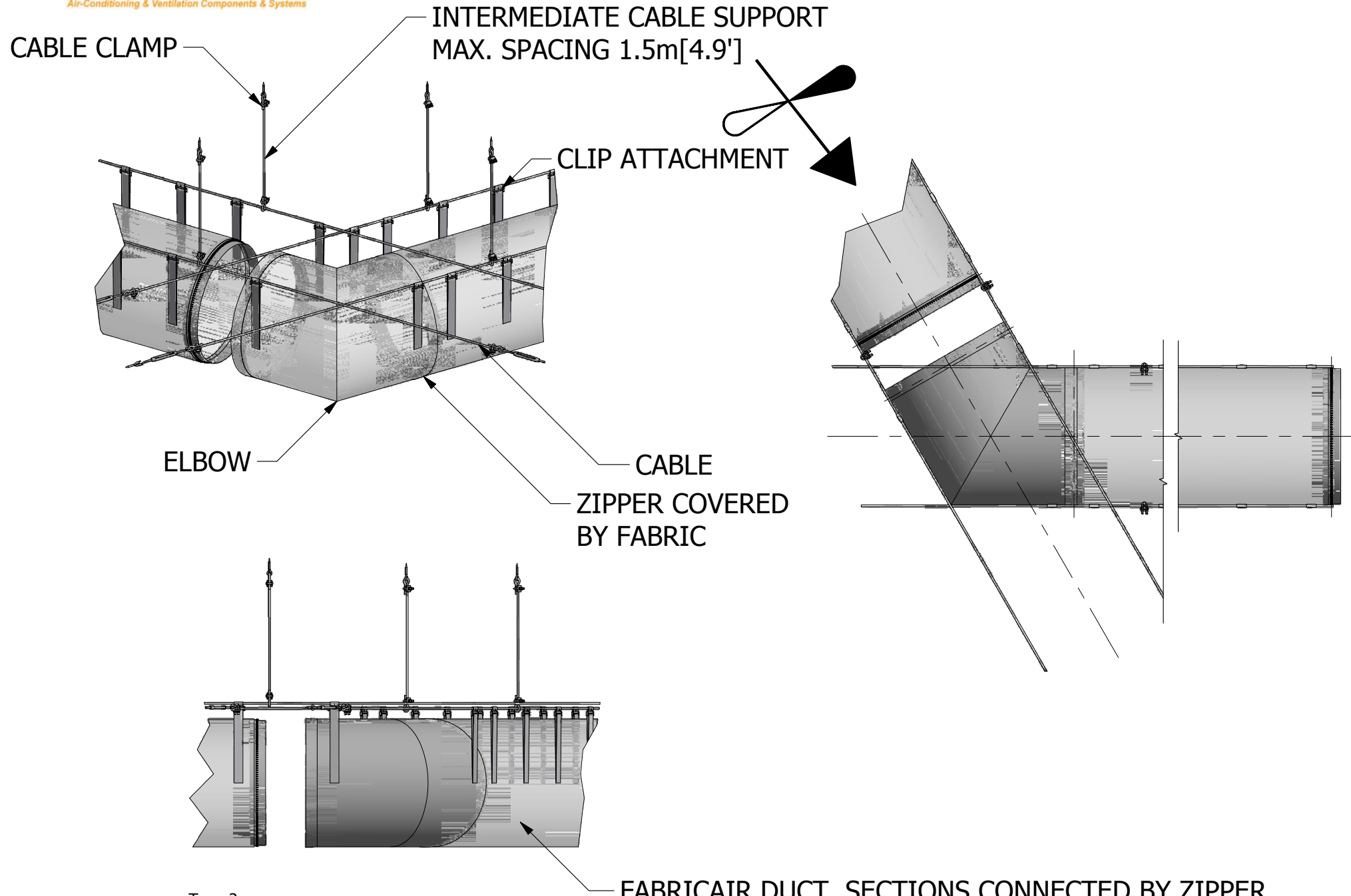
Type 2  
 FabricAir® Installation Drawing  
 2003-0213-000 (2014-FEB)

FABRICAIR DUCT. SECTIONS CONNECTED BY ZIPPER  
 FLOWMODEL, COLOR AND FABRIC AS SPECIFIED







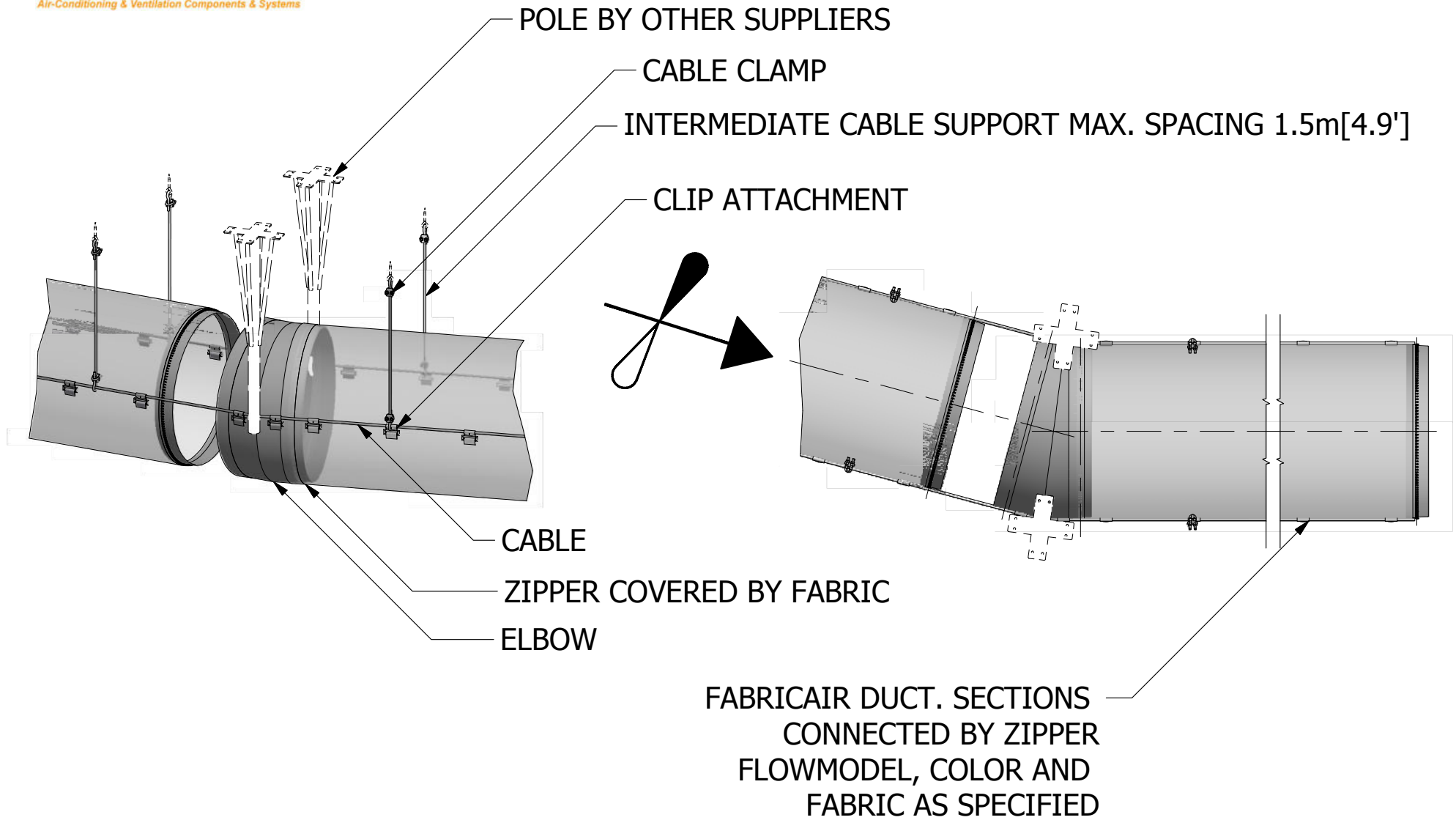


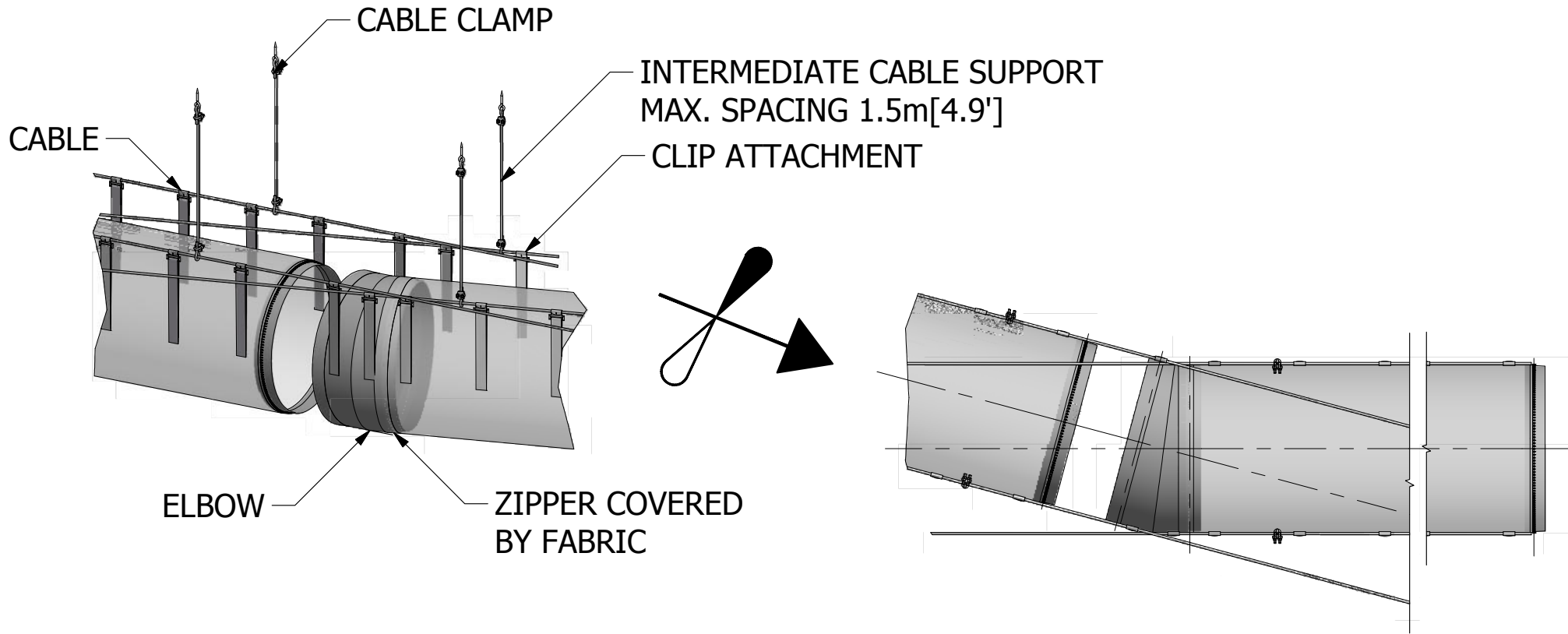
**02.17**

Type 2  
FabricAir® Installation Drawing  
2003-0217-000 (2014-FEB)

FABRICAIR DUCT. SECTIONS CONNECTED BY ZIPPER  
FLOWMODEL, COLOR AND FABRIC AS SPECIFIED



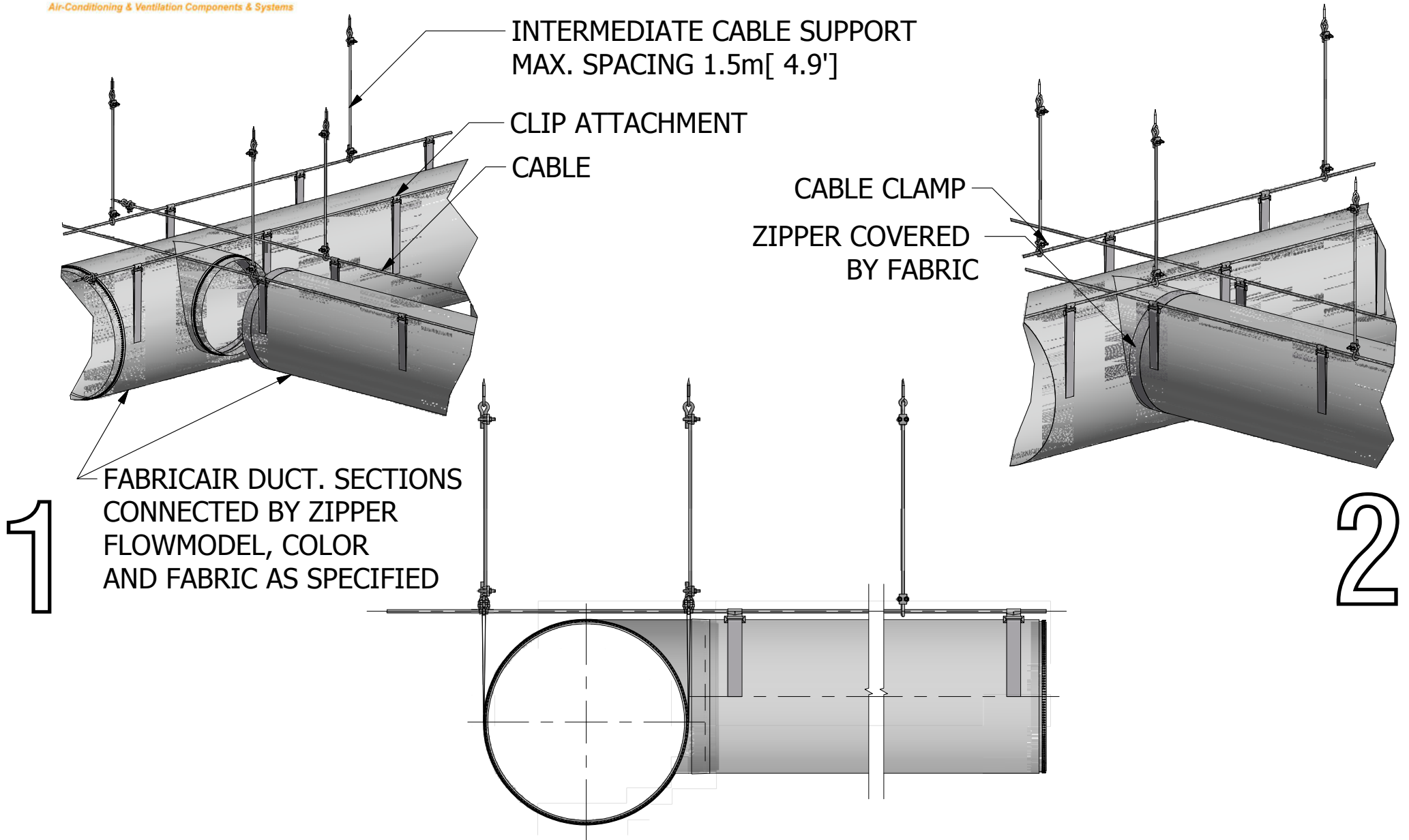


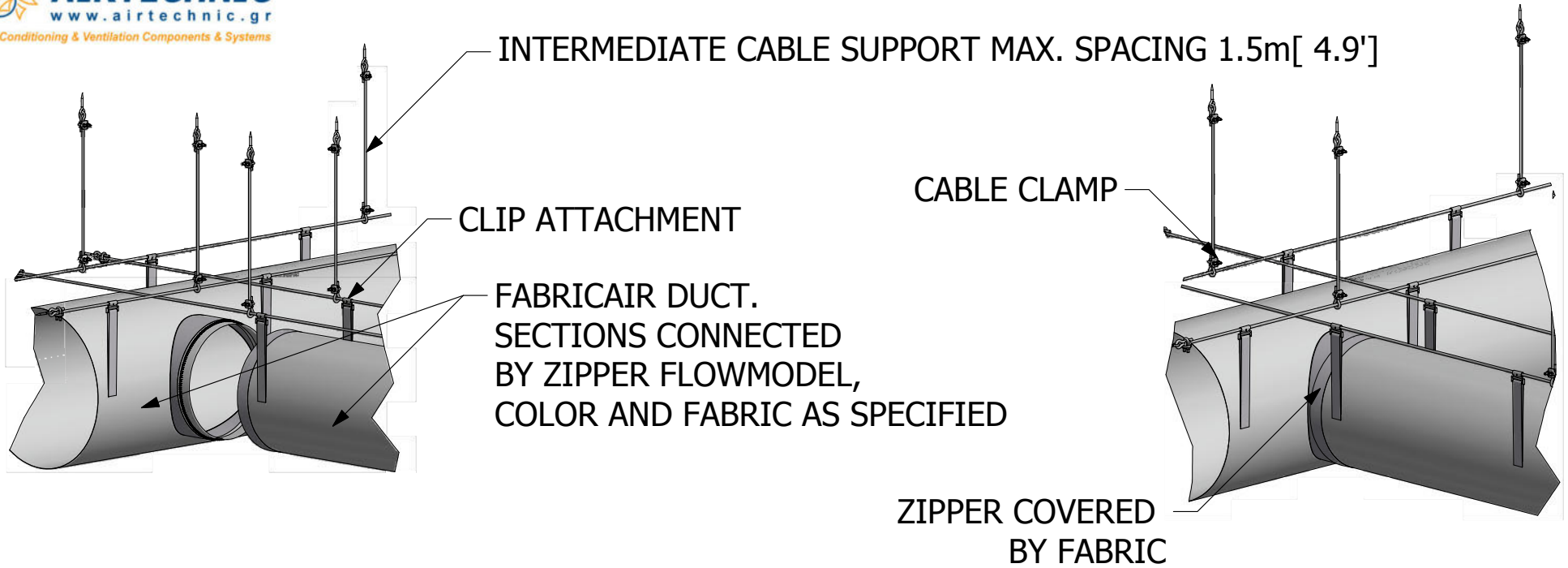


FABRICAIR DUCT. SECTIONS CONNECTED BY ZIPPER  
FLOWMODEL, COLOR AND FABRIC AS SPECIFIED

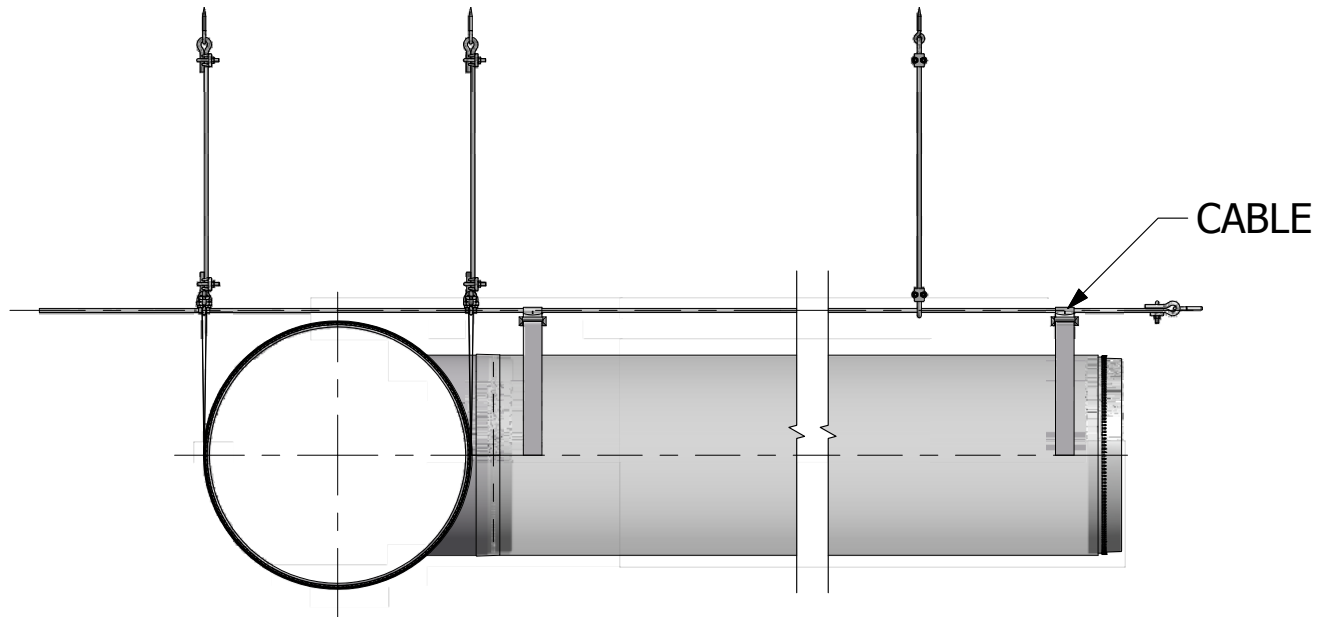
**02.19**

Type 2  
FabricAir® Installation Drawing  
2003-0219-000 (2014-FEB)

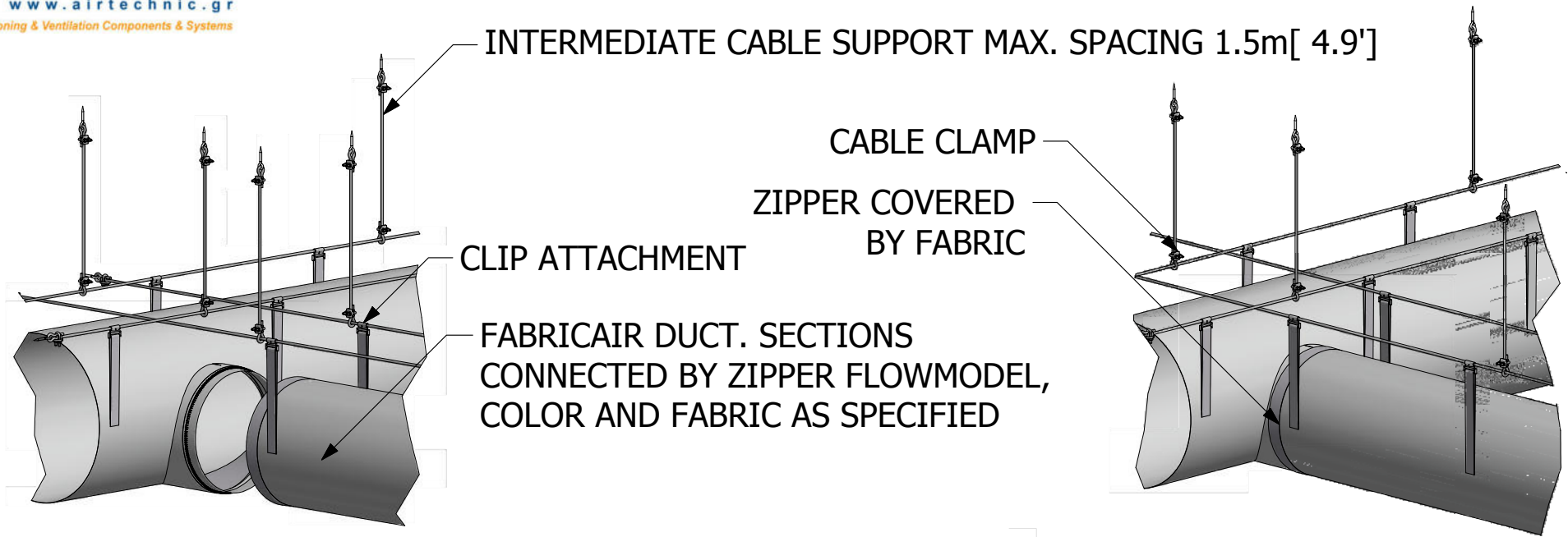




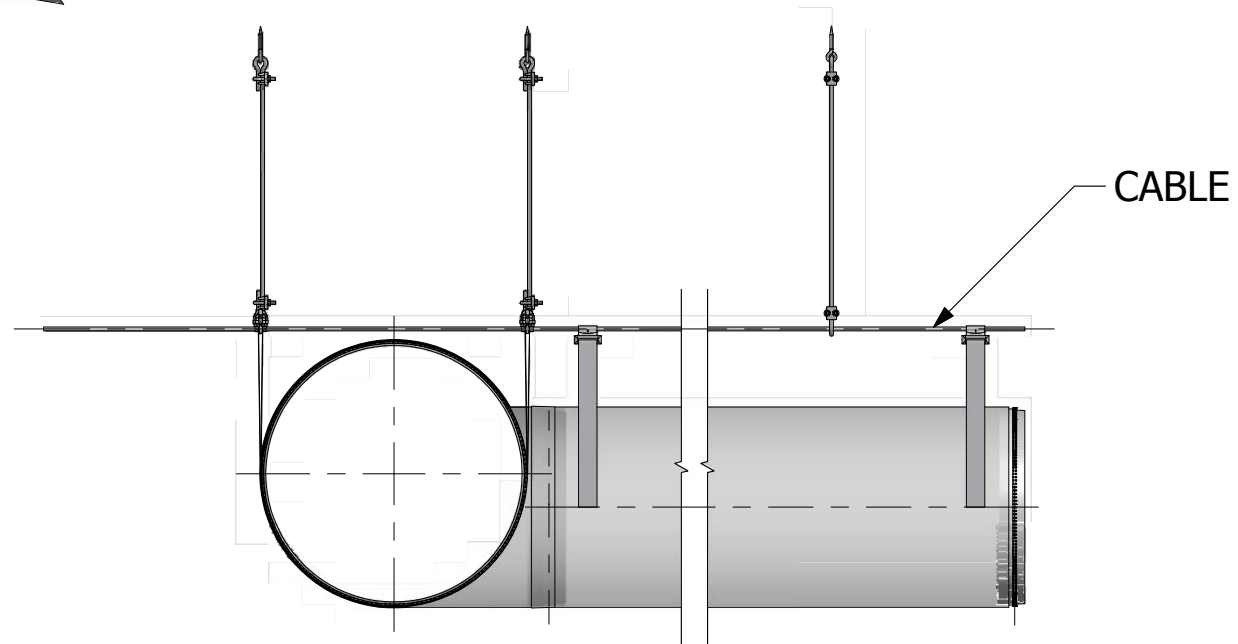
1



2



1



2

POLE BY OTHER SUPPLIERS

CABLE

REDUCER  
CLIP ATTACHMENT

ZIPPER COVERED  
BY FABRIC

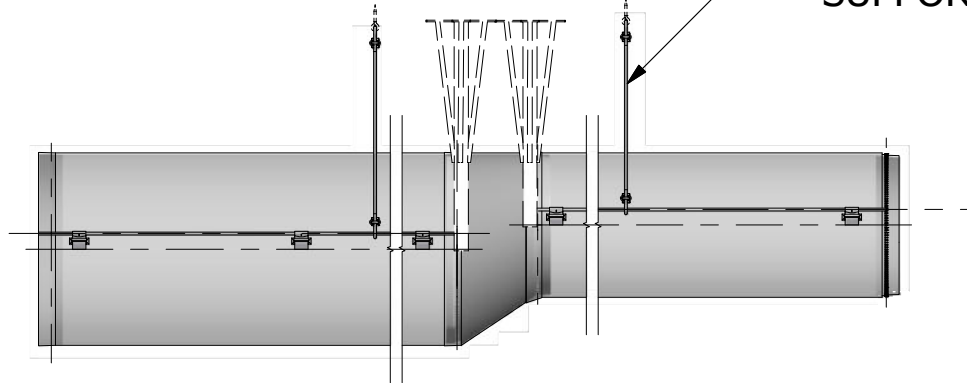
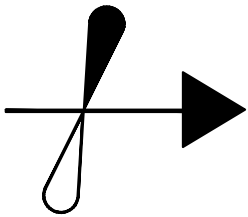
CABLE CLAMP

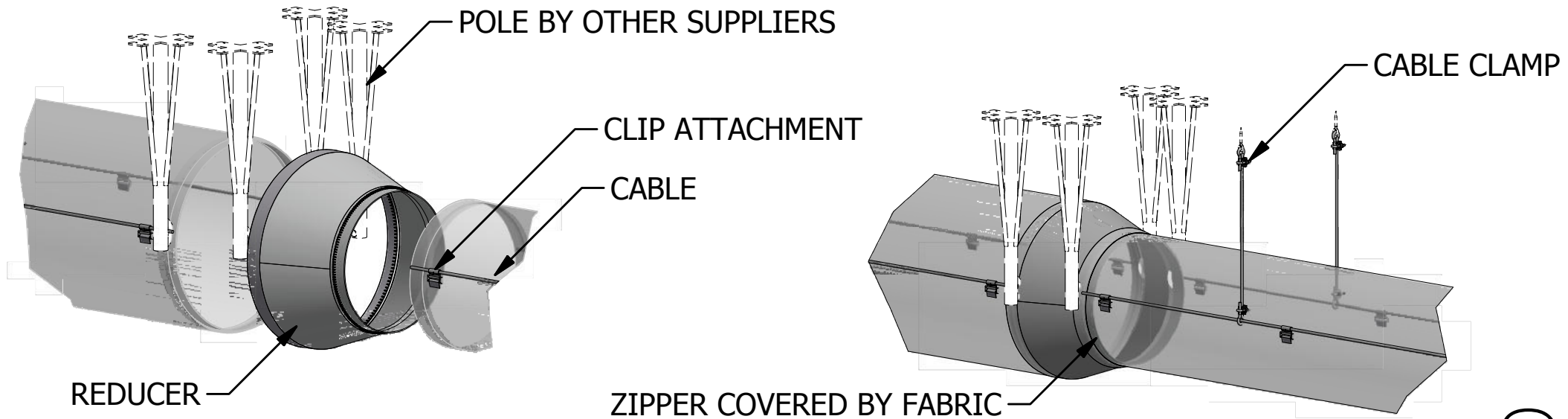
1

FABRICAIR DUCT. SECTIONS CONNECTED BY ZIPPER  
FLOWMODEL, COLOR AND FABRIC AS SPECIFIED

2

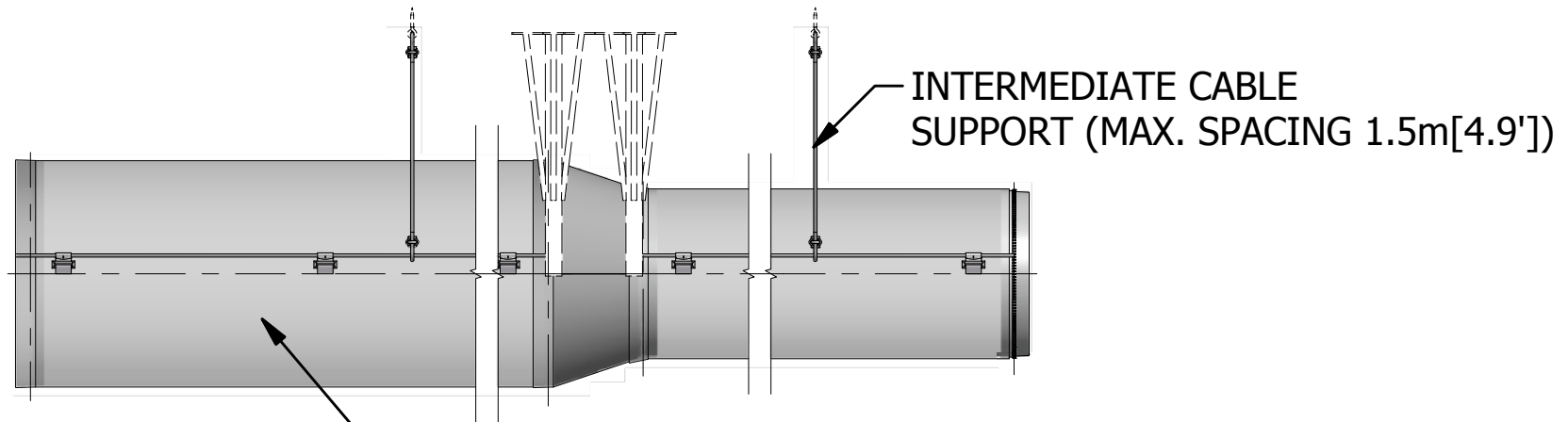
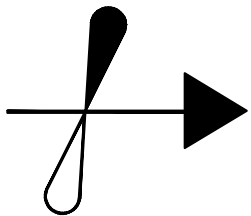
INTERMEDIATE CABLE  
SUPPORT (MAX. SPACING 1.5m[4.9'])



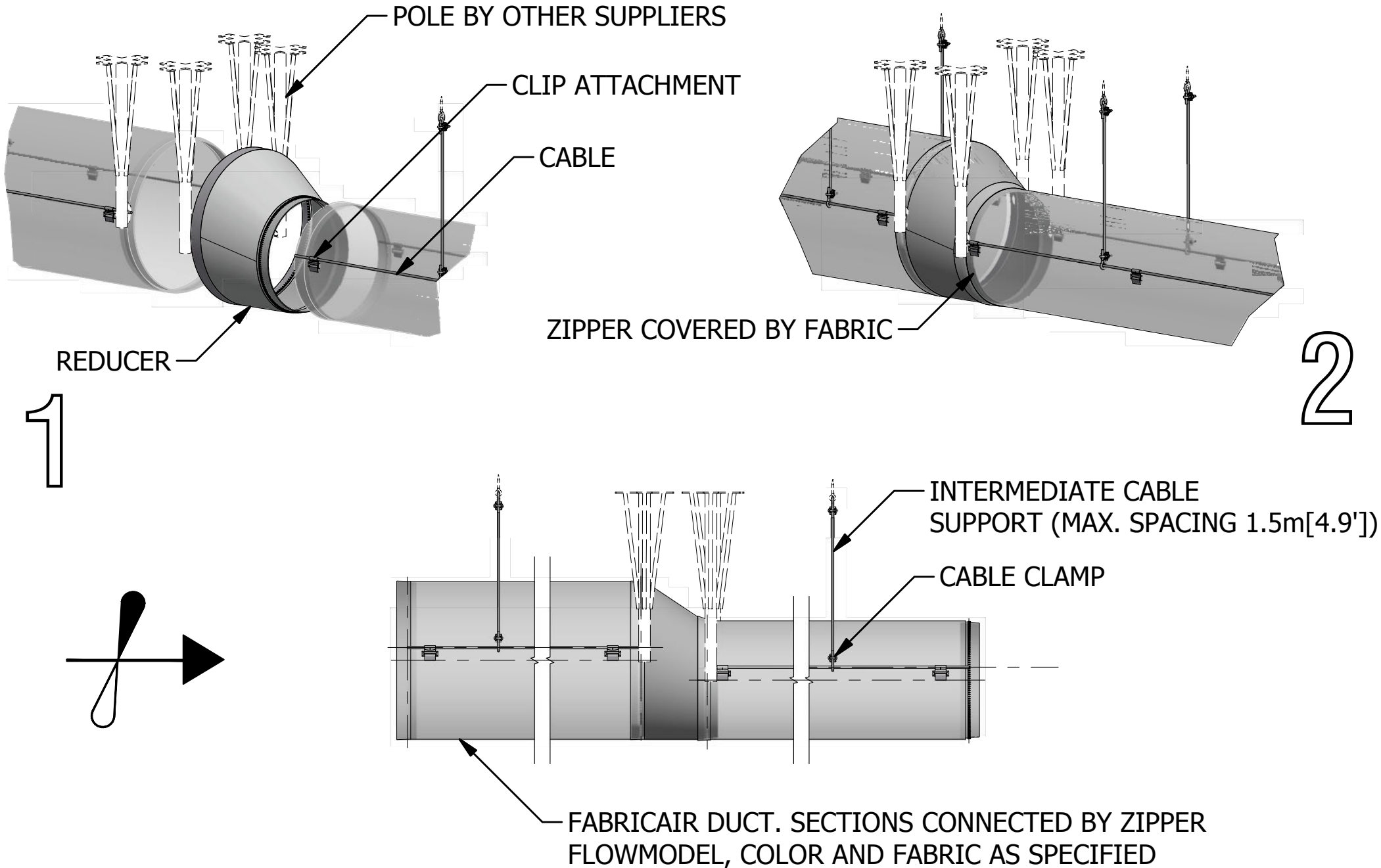


1

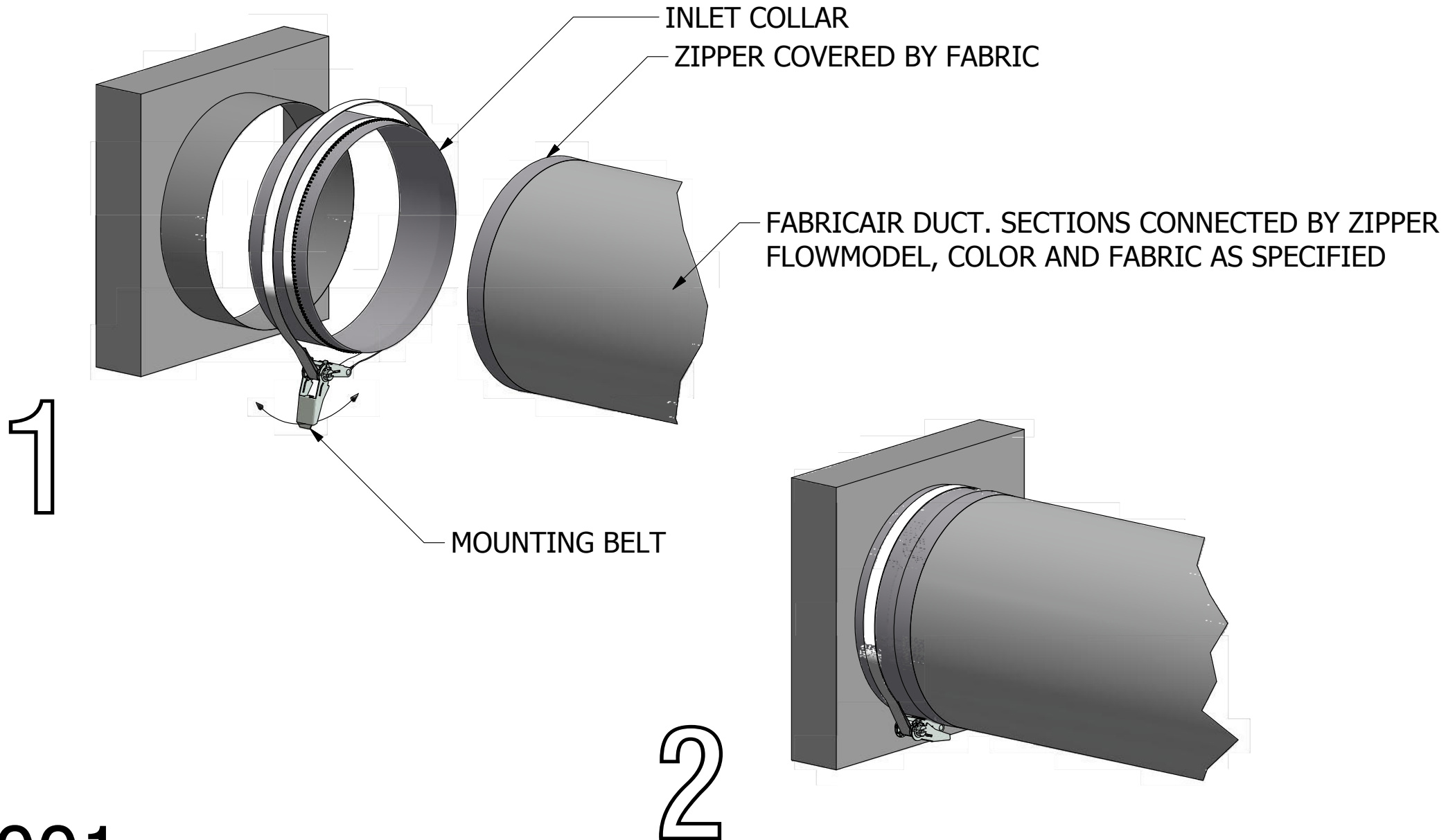
2

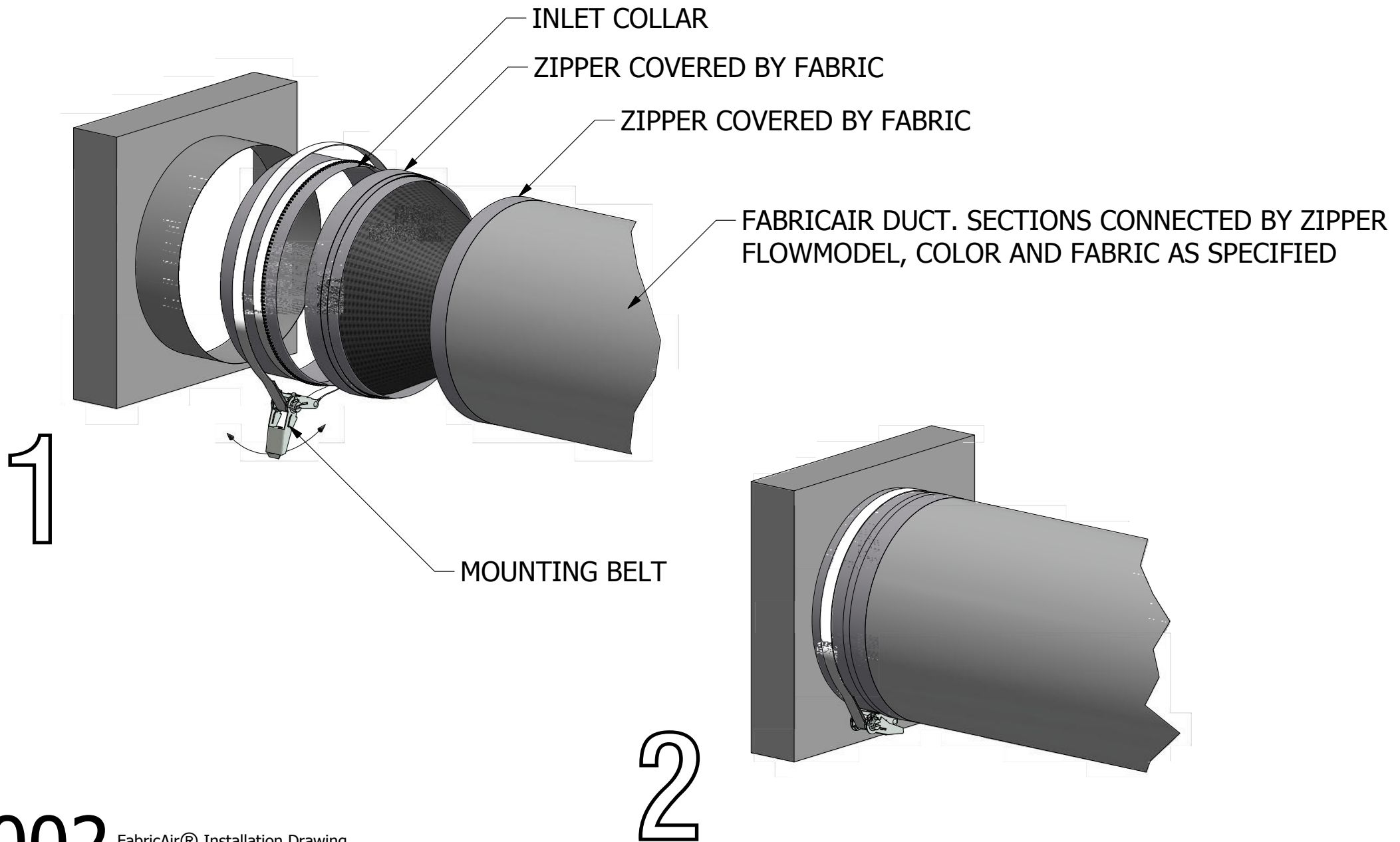


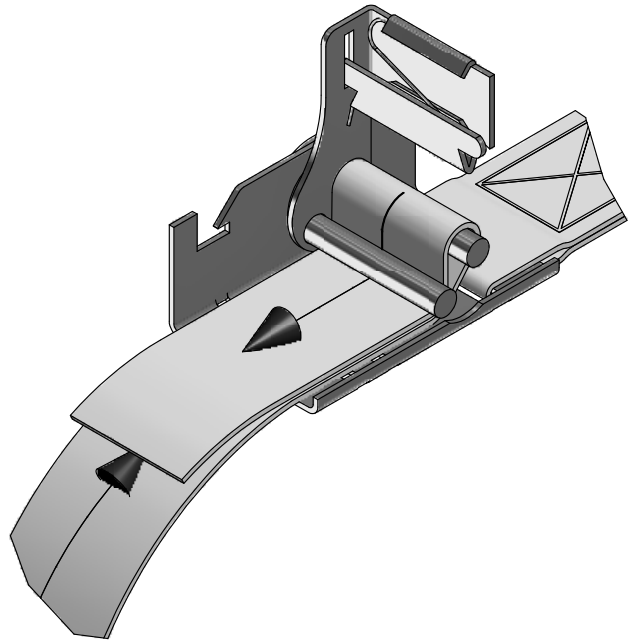
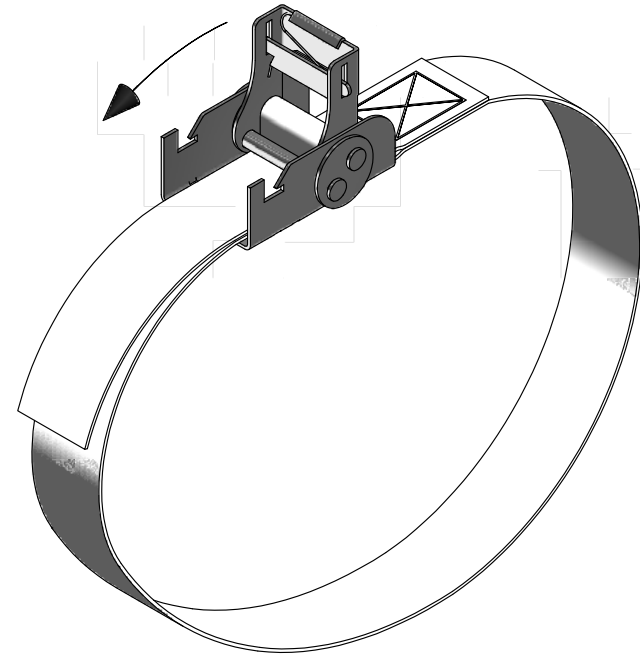
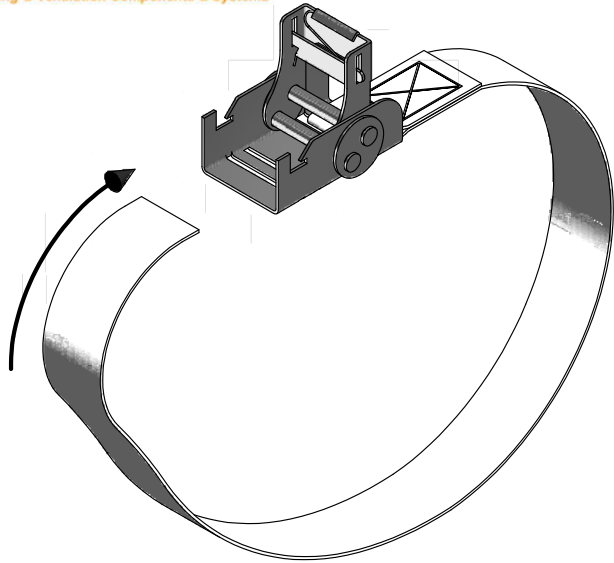
FABRICAIR DUCT. SECTIONS CONNECTED BY ZIPPER  
FLOWMODEL, COLOR AND FABRIC AS SPECIFIED



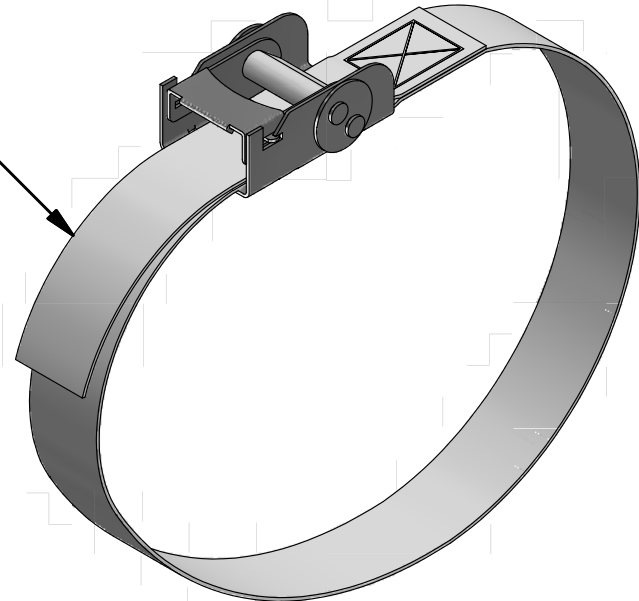


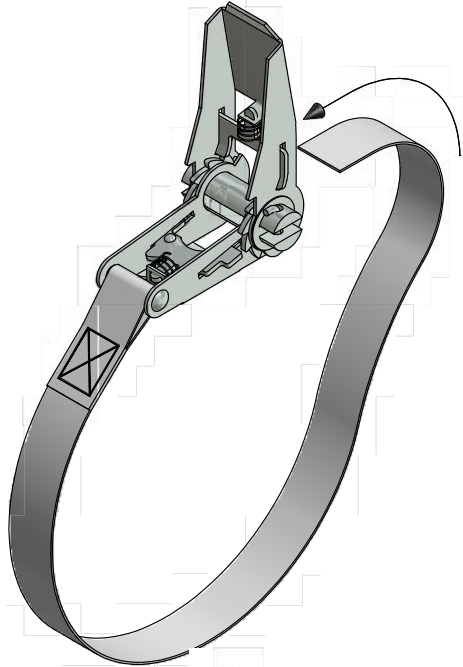




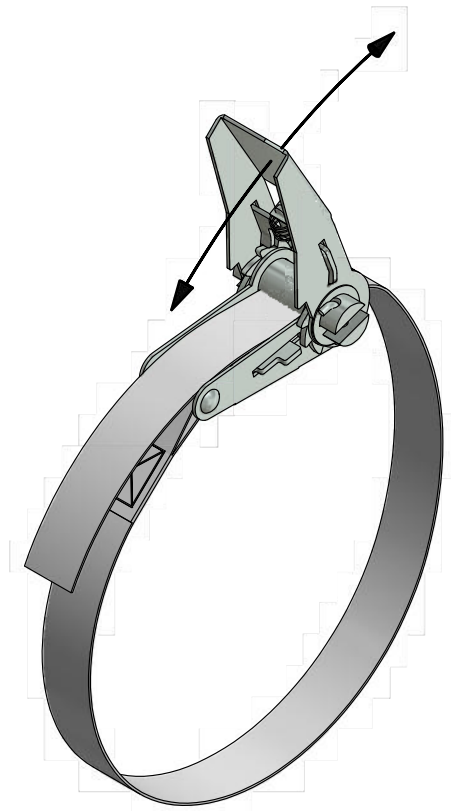


MOUNTING BELT

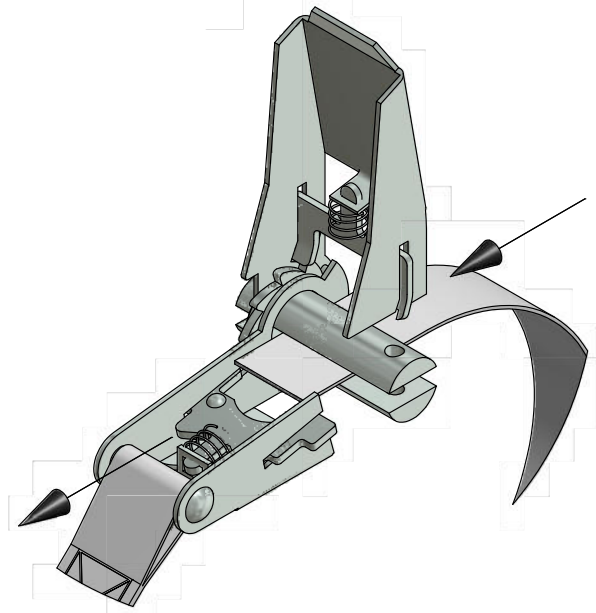




1

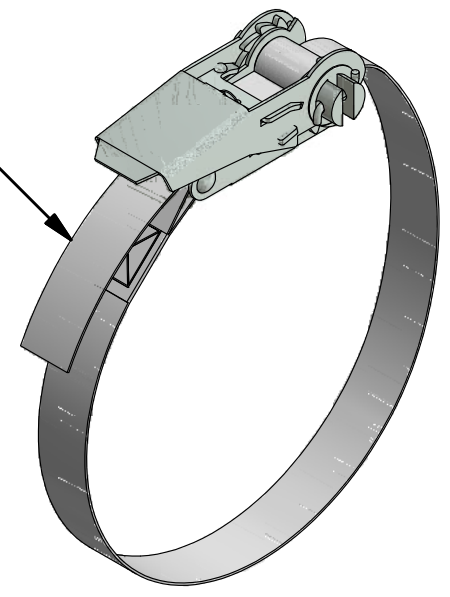


3



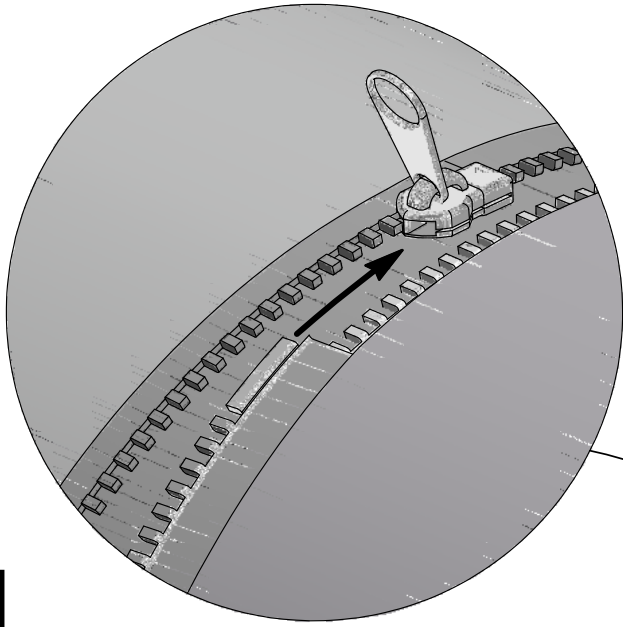
2

MOUNTING BELT

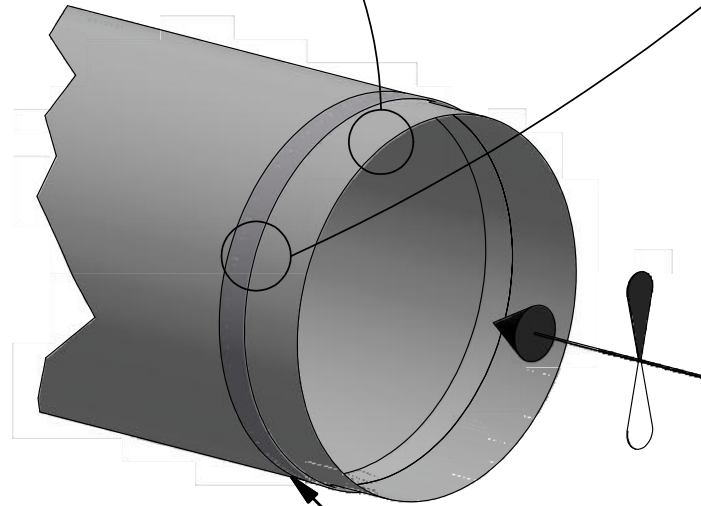
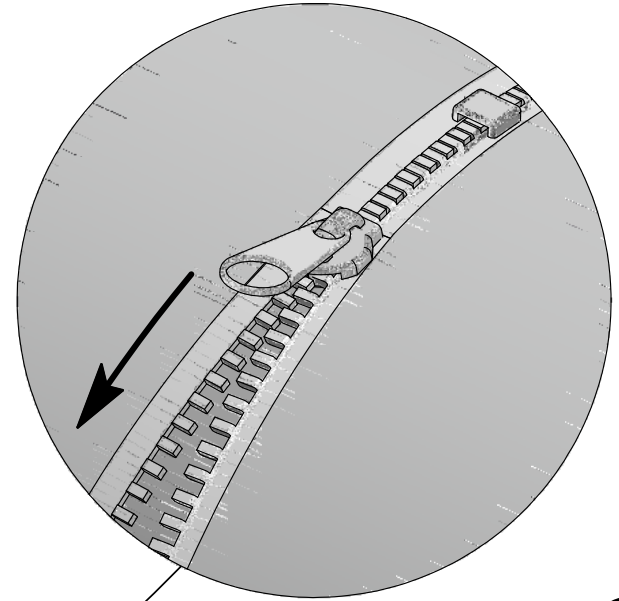


4

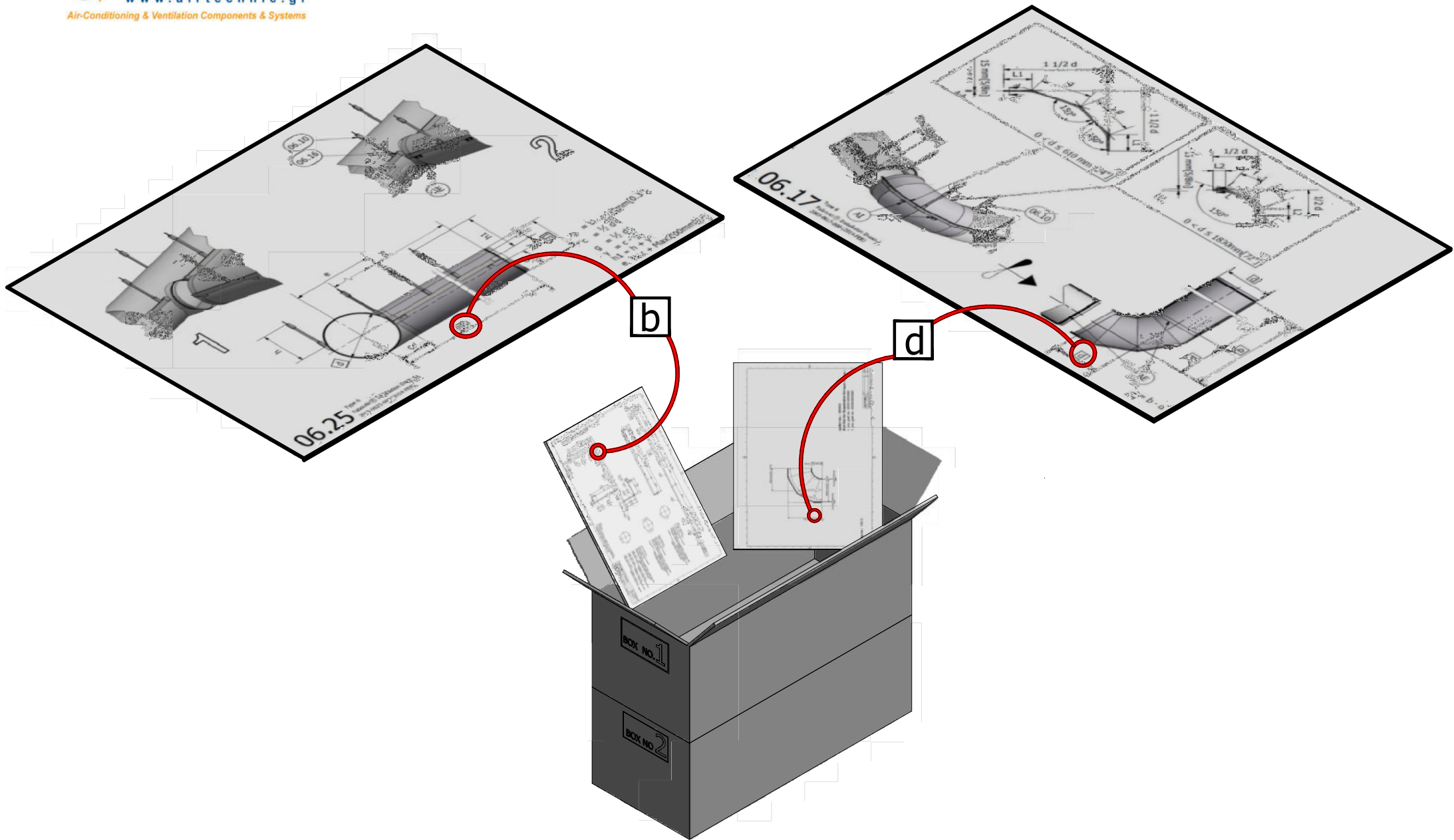
1



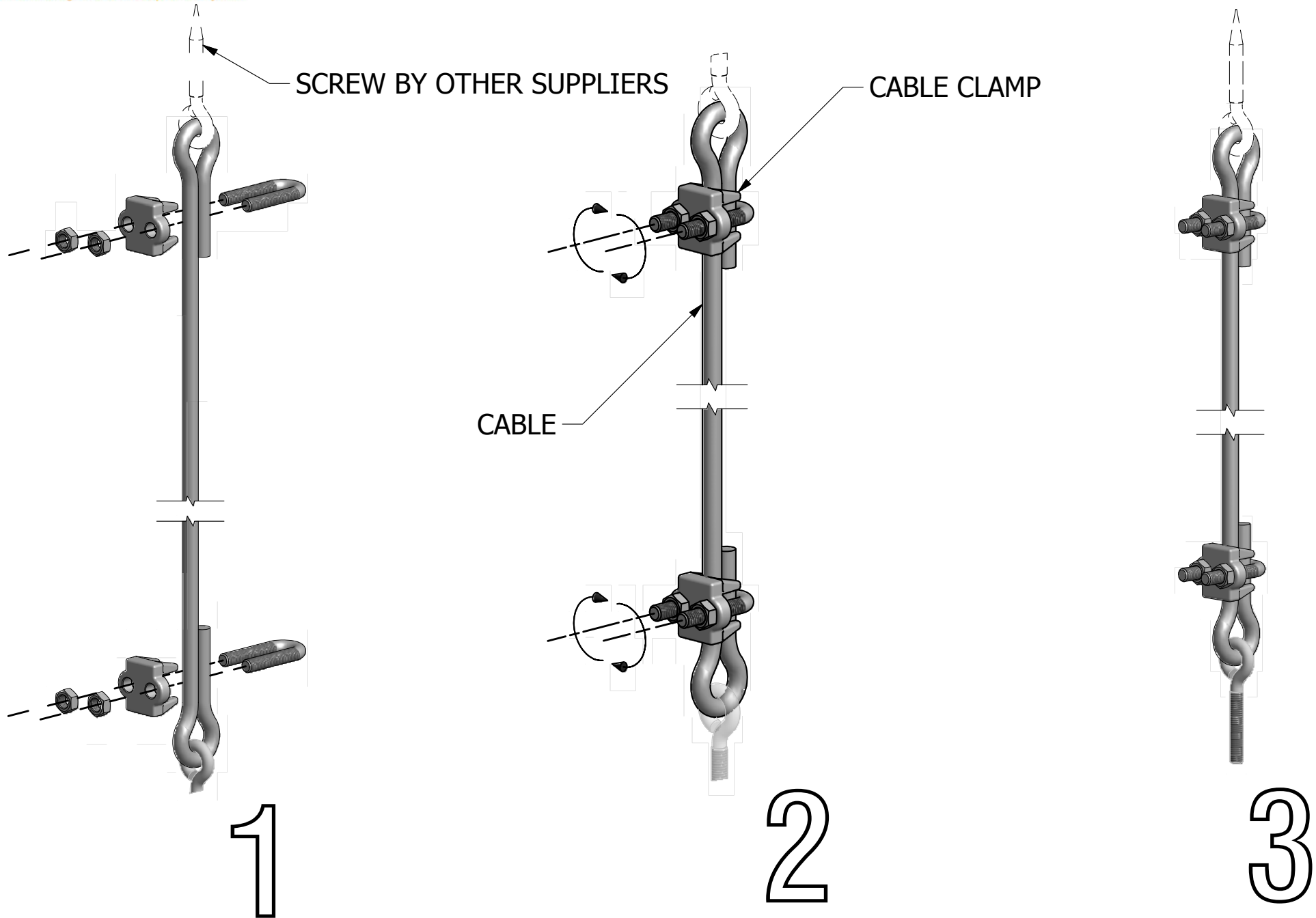
2

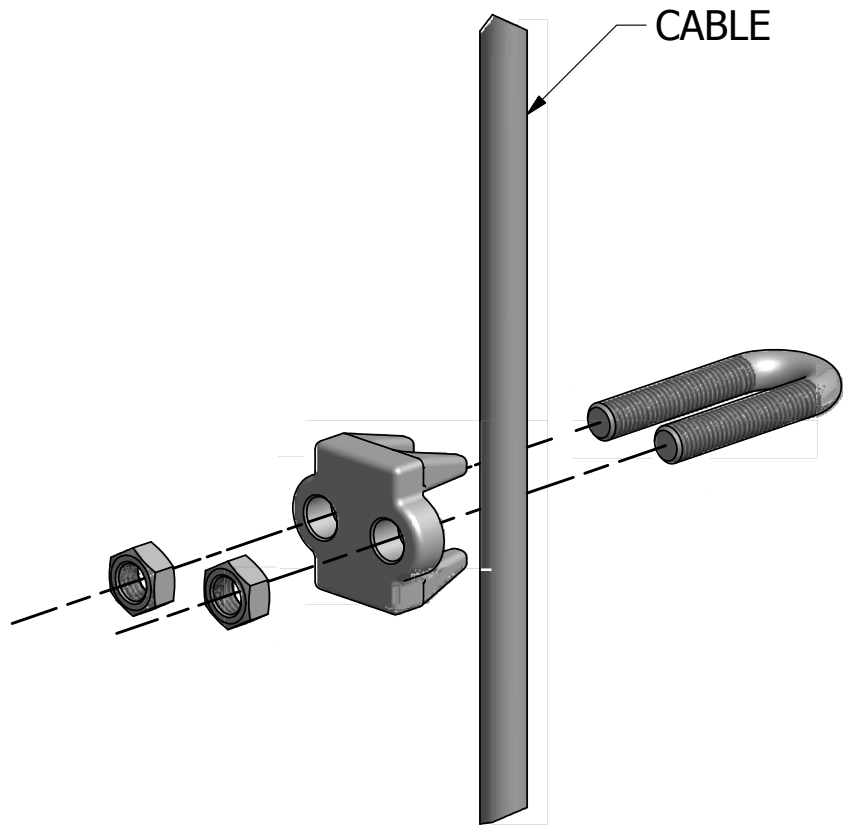


ZIPPER COVERED BY FABRIC

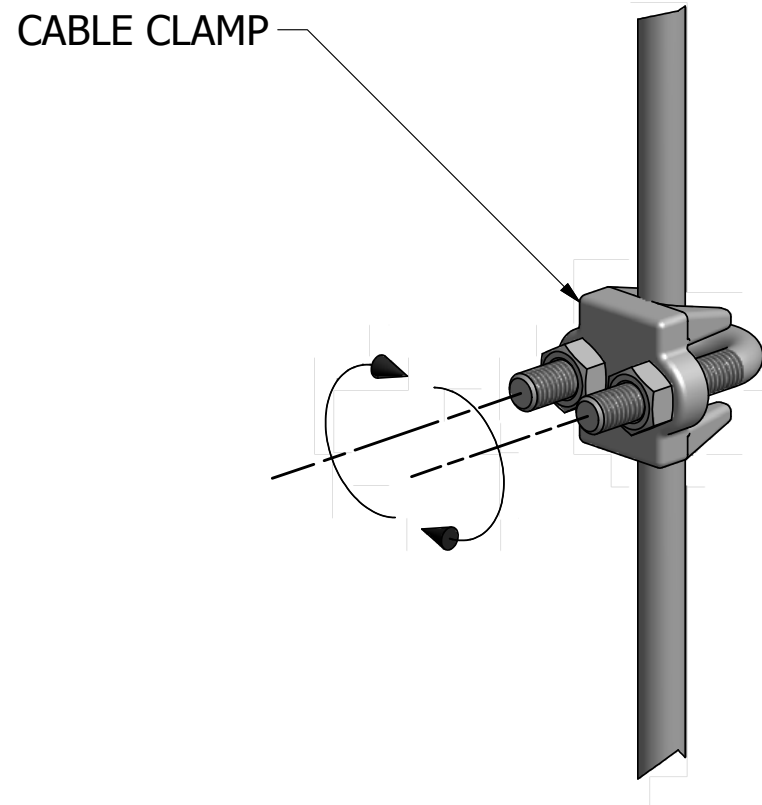


Note:  
The Dimensions given in squares can be found in system drawing which is in box 1 .



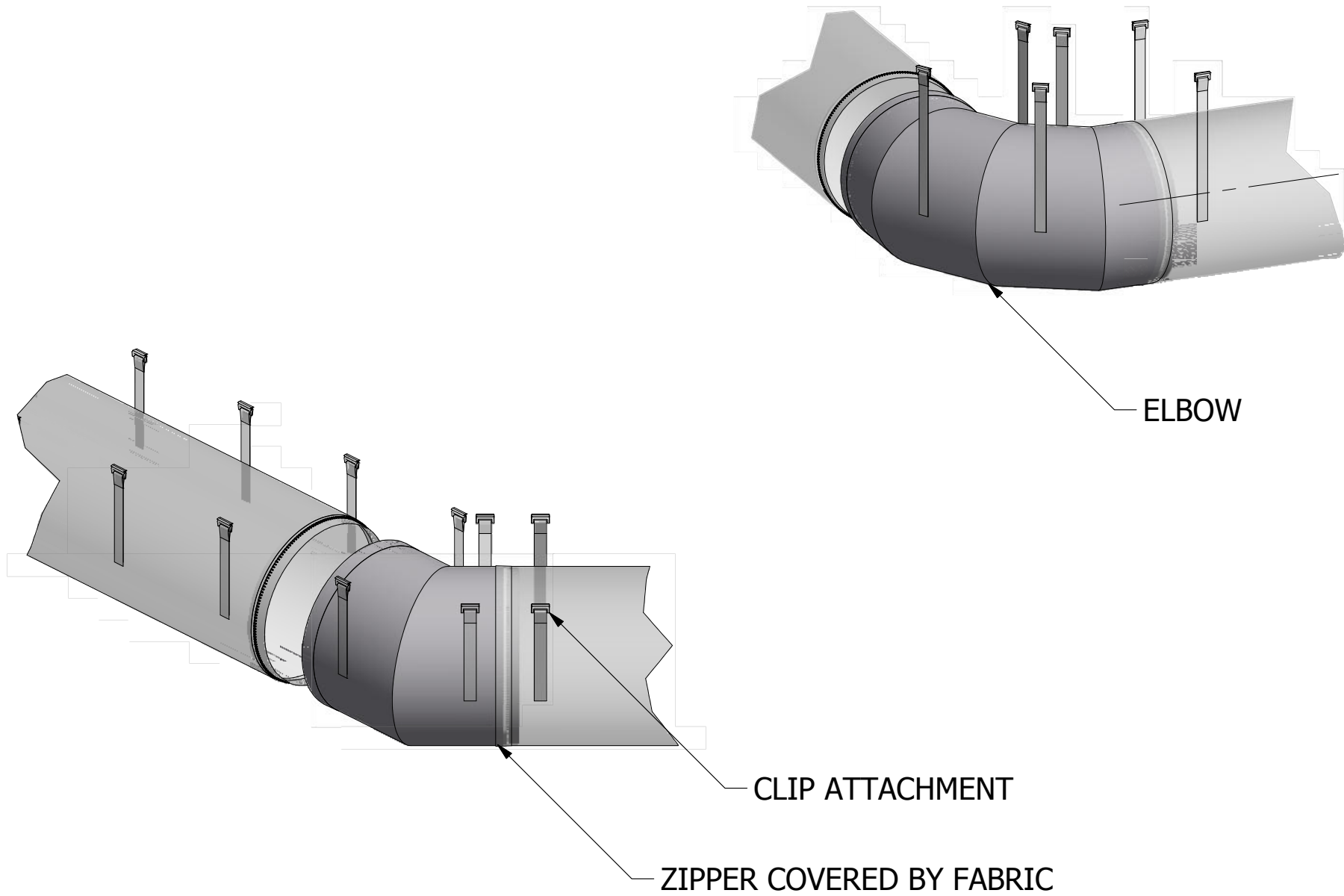


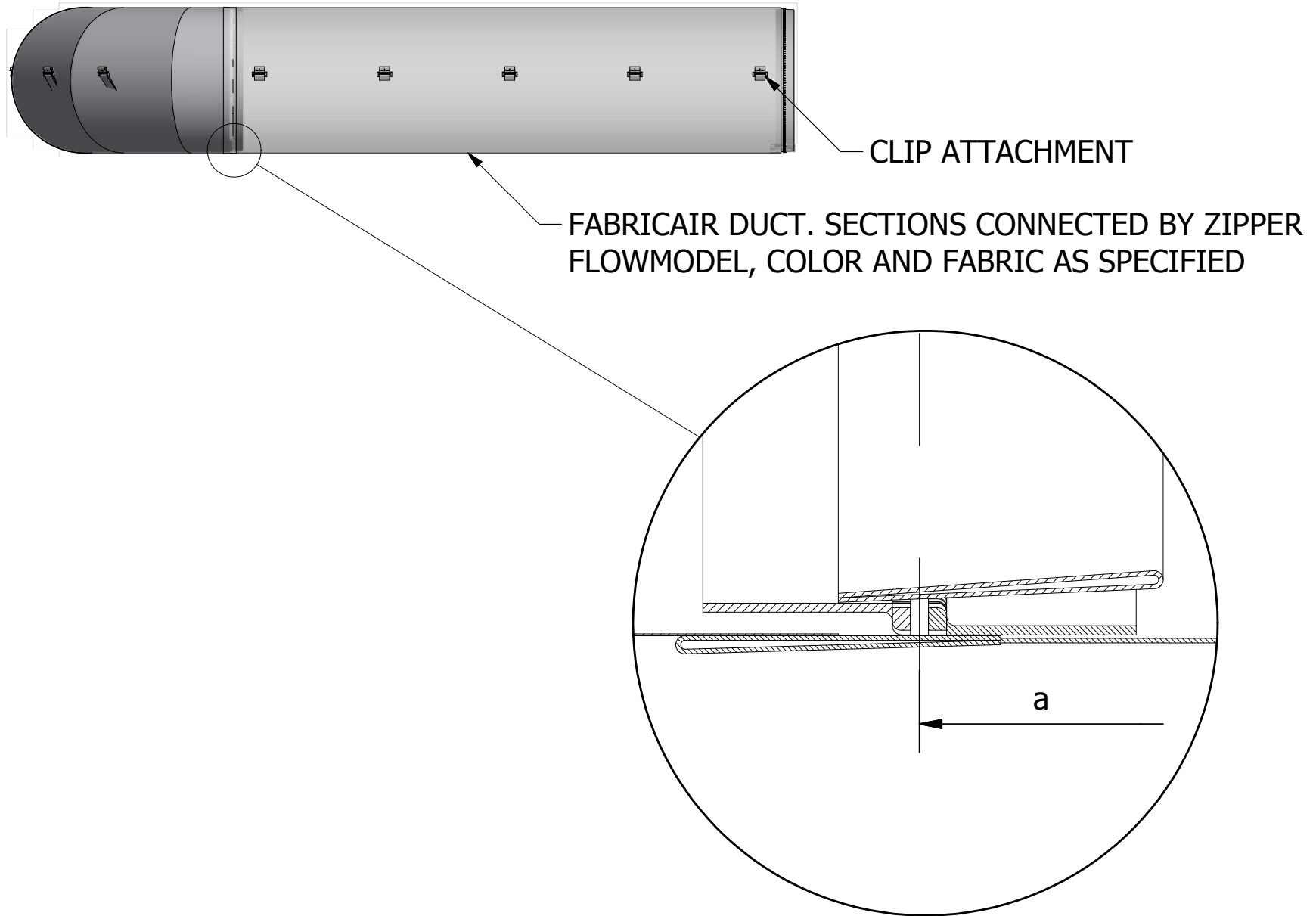
1

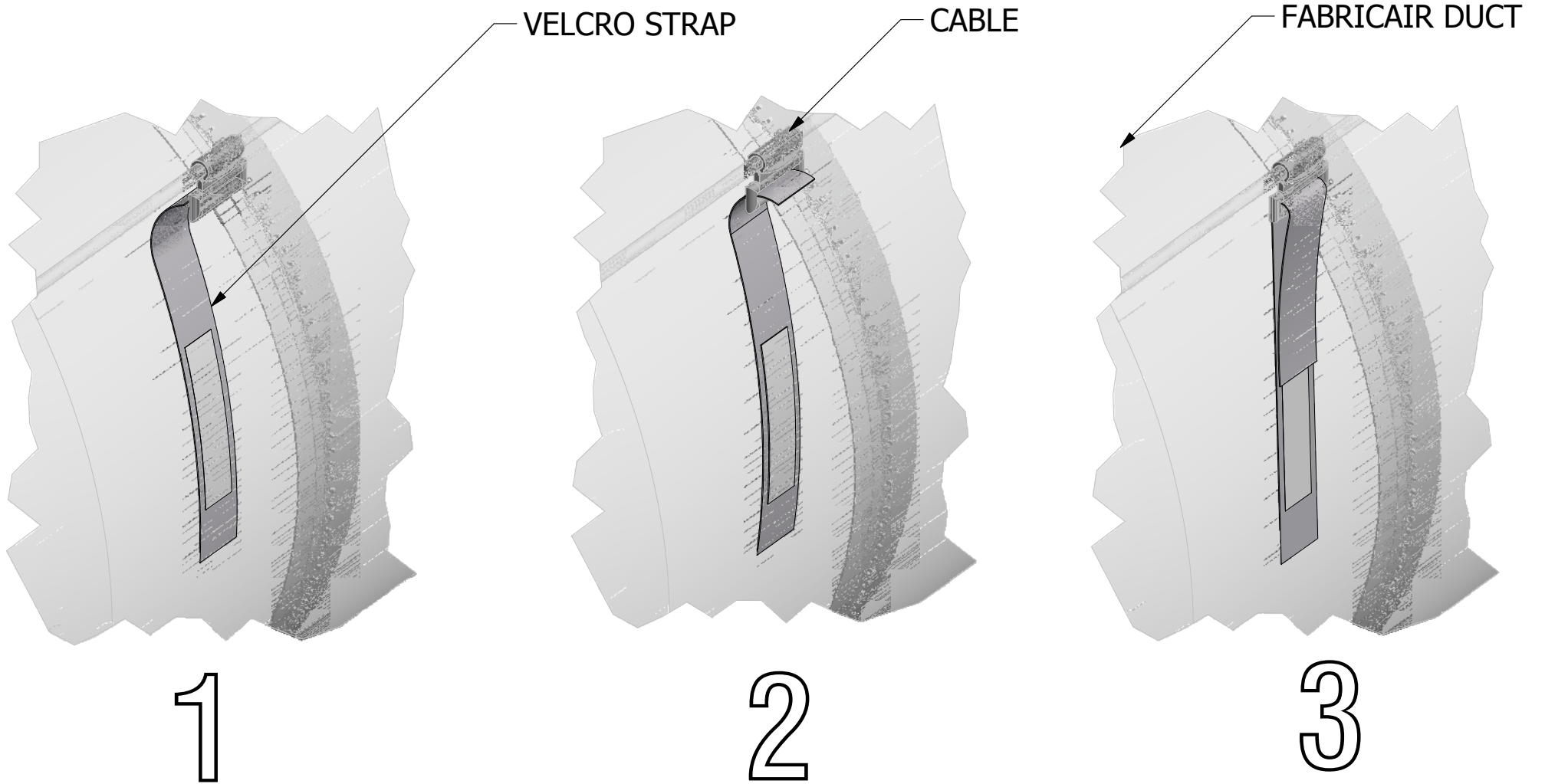


2











ORDER NO : 1473677

## CONTENTS OF BOX NO. 1/2:

INSTRUCTION BAG 1 pcs.

-Drawing Included 1 pcs.

### Distribution Ducts

Tag no. 100.1 Inlet Ø 1060 x 100 2 pcs.

Tag no. 100.2 Inlet Ø 1060 x 2625 2 pcs.

Tag no. 100.5 Inlet Ø 500 x 1000 x 9330 2 pcs.

### Suspensions

(05) STRETCHER M6 x 90,GV 12 pcs

(14) CABLE LOCK 5MM,GV 52 pcs

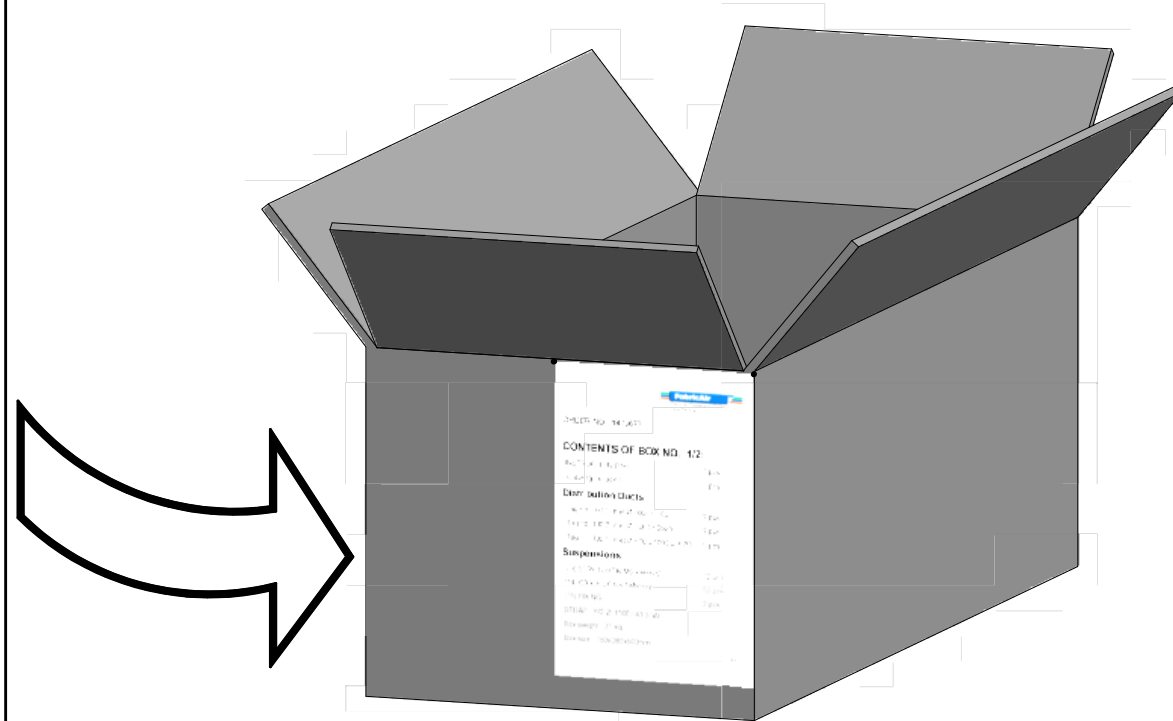
(18) FIXING 2 pcs

STRAP , Y/2 , Ø 1100 / 43.3 "W

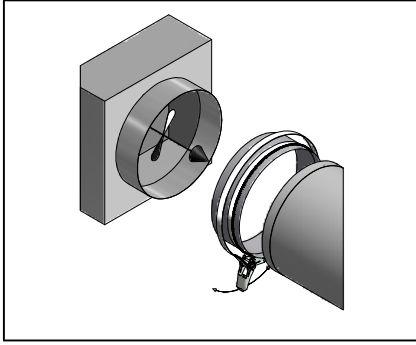
Box weight : 31 kg

Box size : 780x380x500mm

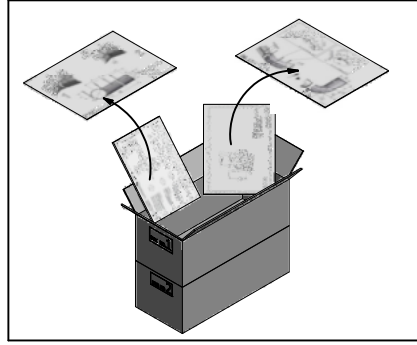
Label 1/1



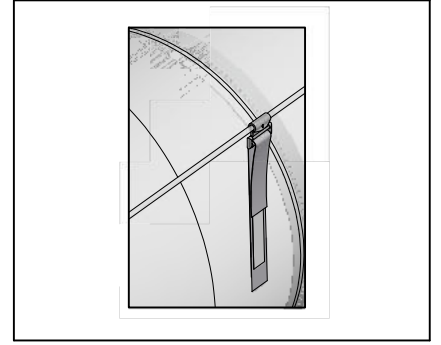
G001



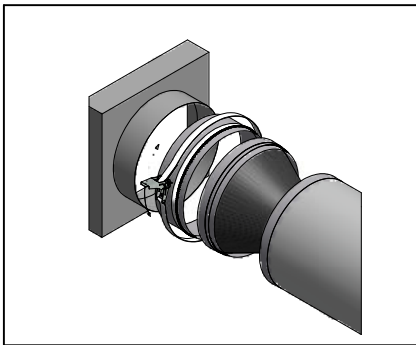
G006



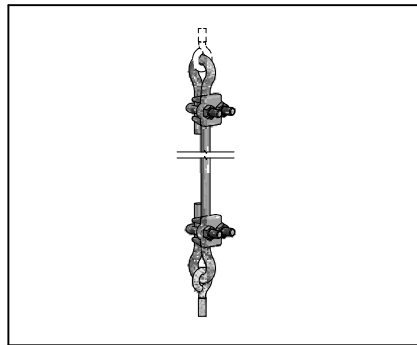
G026



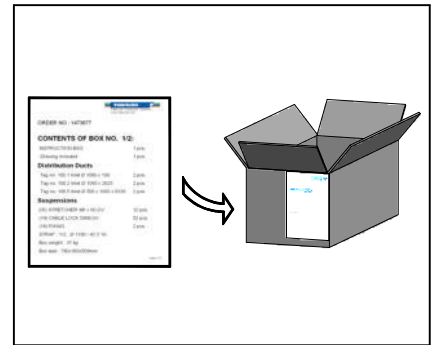
G002



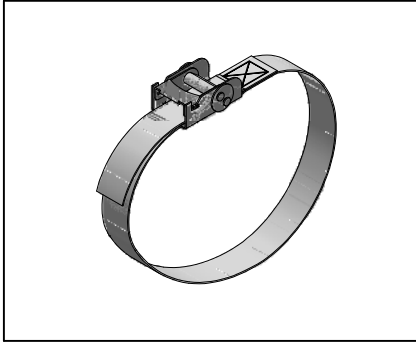
G007



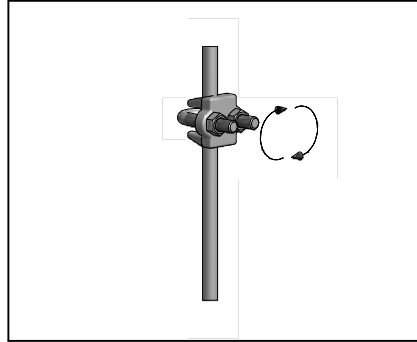
G028



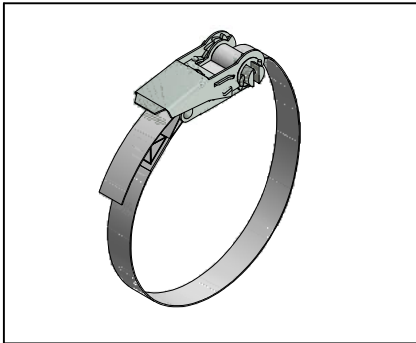
G003



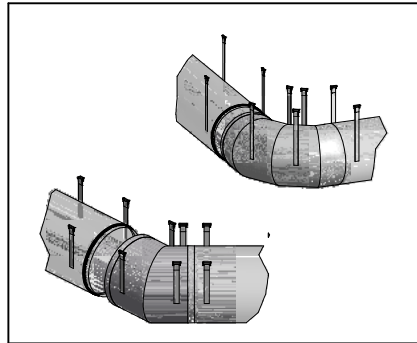
G008



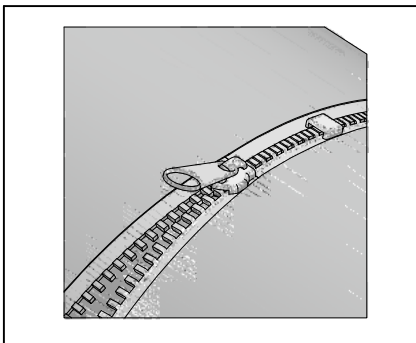
G004



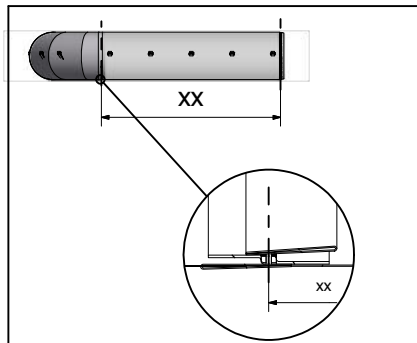
G009



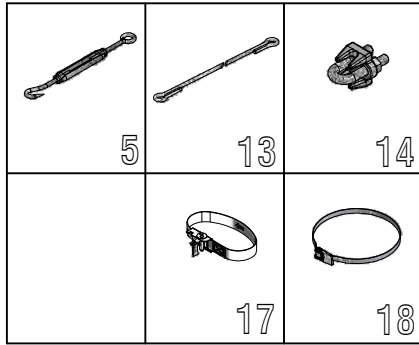
G005



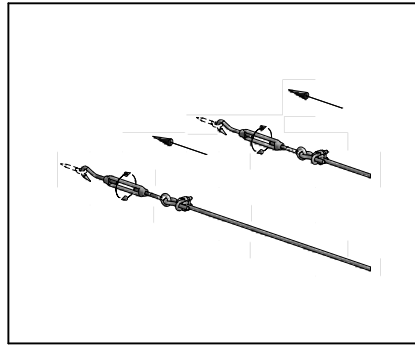
G025



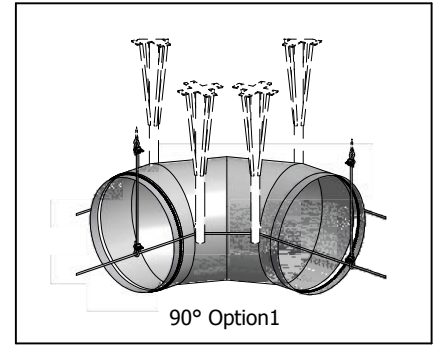
02.01



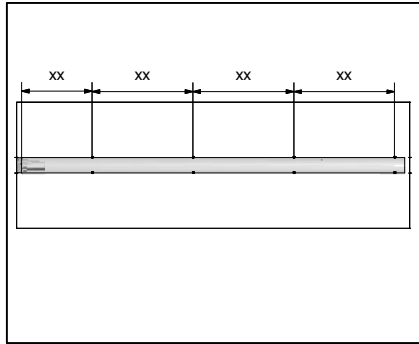
02.06



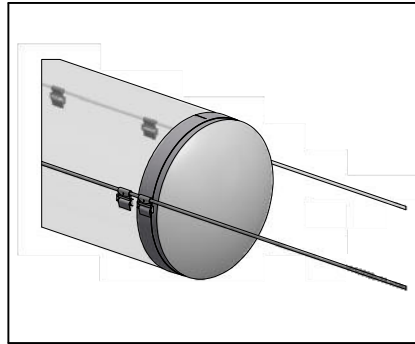
02.10



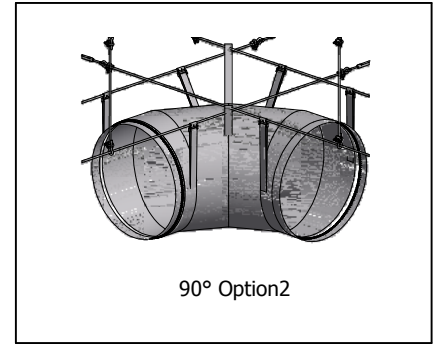
02.02



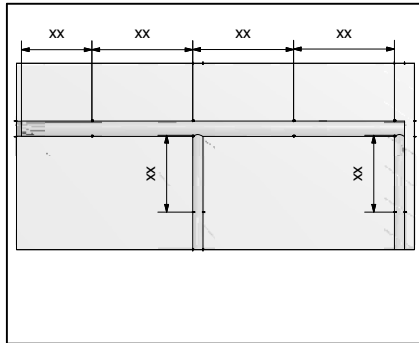
02.07



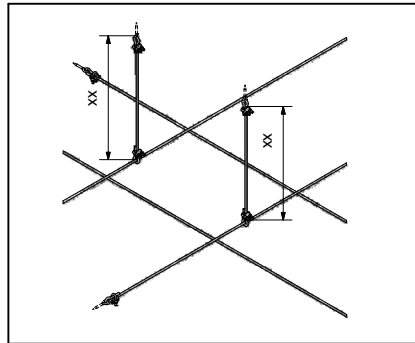
02.11



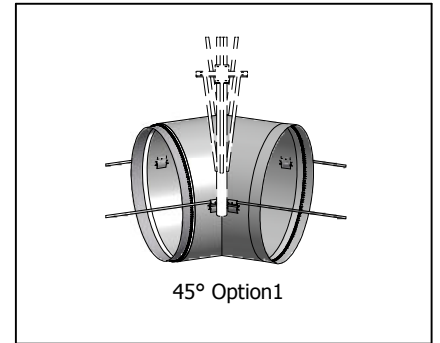
02.03



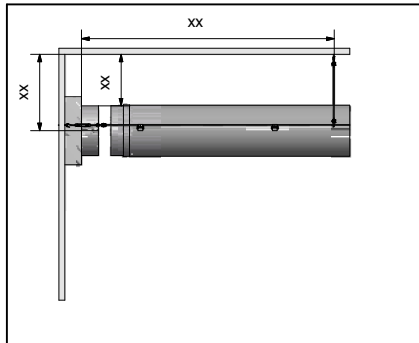
02.08



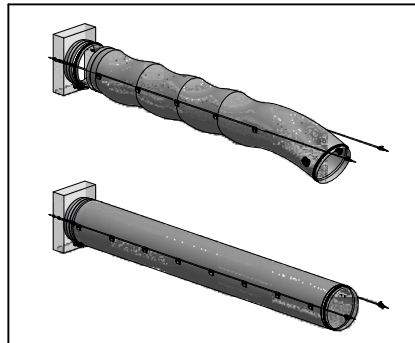
02.12



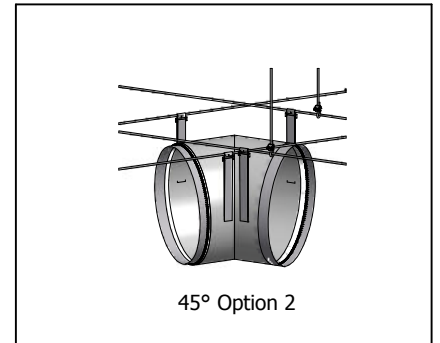
02.04



02.09



02.13



02.05

