



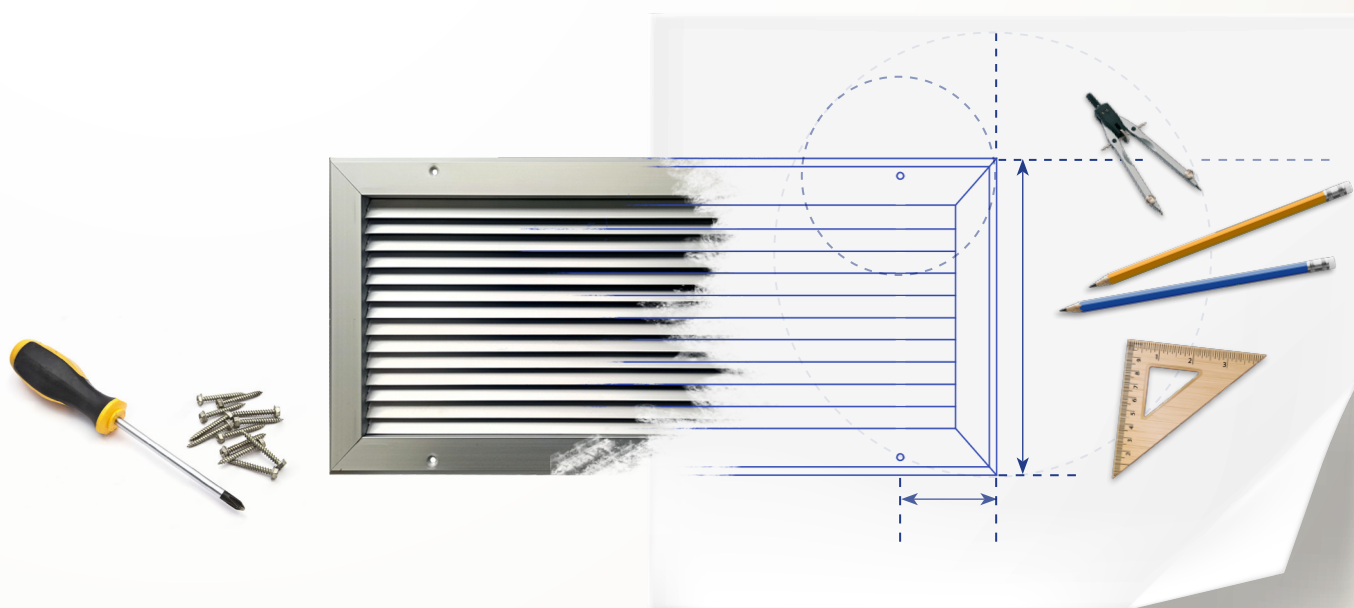
AIRTECHNIC

www.airtechnic.gr

Air-Conditioning & Ventilation Components & Systems

AIR OUTLETS

INSTALLATION, OPERATION & MAINTENANCE



www.airtechnic.gr



www.facebook.com/Airtechnic.gr



AIR OUTLETS INSTALLATION, OPERATION & MAINTENANCE



It is important to read, understand and follow the instructions and safety notes, included in this document, in order to ensure proper and secure placement, as well as unhindered operation of the air outlet (grille, diffuser, nozzle, etc...). The information in this document has been compiled according to the applicable guidelines and standards and our technical expertise as long time air outlets manufacturers. **AIRTECHNIC** will not accept any liability for damages that resulted from not following the information in this document, incorrect handling and placement, incorrect operation by untrained individuals and unauthorised modifications.

SAFETY NOTES

Air outlets may have sharp edges or corners and metal parts that can cause cuts or grazes. Protective equipment must be worn at all times in order to reduce health or safety risks to the minimum :

- Safety helmets to protect the head from falling, suspended and stationary objects.
- Safety gloves to protect the hands from friction, abrasions, punctures and deep cuts.
- Safety shoes to protect the feet against crushing and falling objects.



Safety helmets



Safety gloves



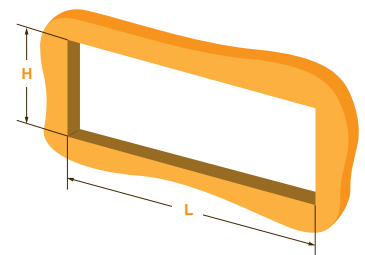
Safety boots

DELIVERY & STORAGE

- All air outlets are properly packaged in our factory, to ensure a safe transportation. Please perform a visual check to all received goods. Any damaged package, must be reported immediately upon delivery.
- The outlet may have moving, metal and electrical components (depending on the type), therefore must be stored in a clean and dry space, to protect it from dust, humidity and weather effects. It's best to keep the outlet into its original packaging until installation.
- Do not stack excessive number of outlets. Possible sharp edges or corners and protruding metal parts, in combination with the weight, can damage the outlet's finish or bend its frame and blades / nozzles.

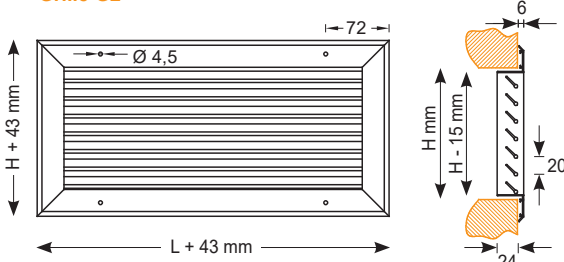
PREPARATION

- All installation procedures should be carried out only by authorized technicians.
- Wear protective equipment at all times to prevent injuries.
- When installing large and heavy outlets or outlet assemblies, make sure that you have suitable lifting equipment to prevent injuries and product damage.
- Make sure that the selected installation position provides adequate access for proper placement of the outlet as well as for regulation, inspection and maintenance. This applies to both single outlets and to large outlet assemblies.
- Check and verify that the type of outlet you intend to install is suitable for the selected position in either wall, ceiling or air duct. Some outlet types have certain restrictions regarding placement, for security reasons.
- Remove all packaging material from the outlet and check the outlet to verify that the frame is rigid while all blades and additional component parts remain secure in place.
- In case of wall or ceiling placement, check and verify that the installation position is rigid and capable to support the outlet's weight.
- In case of placement between air ducts, check and verify that the air ducts are appropriately and securely supported.
- Drill an appropriate hole according to the outlet's specifications which you will find in its corresponding documentation as shown in the examples below.

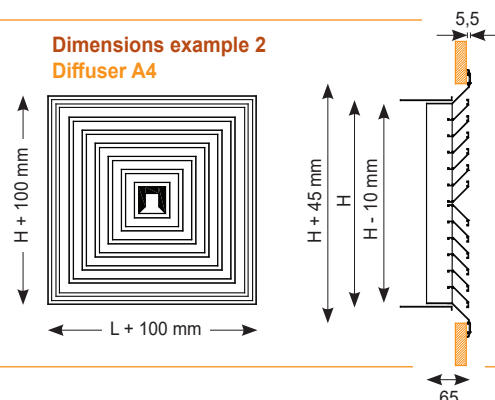


Example
Drilling a hole for a rectangular grille

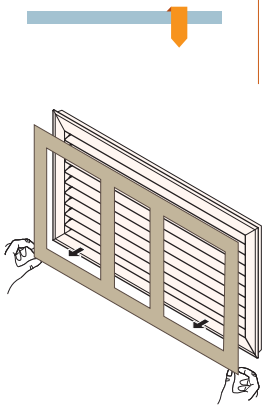
Dimensions example 1 Grille G2



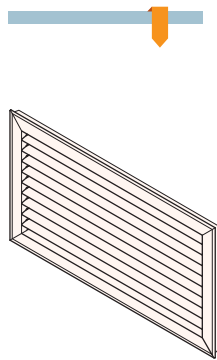
Dimensions example 2 Diffuser A4



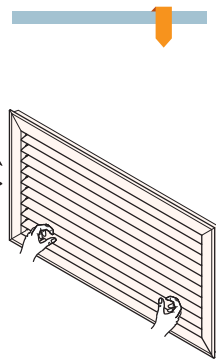
Remove all protective packaging before installation.



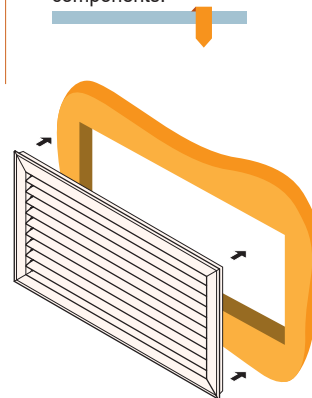
Inspect the outlet and ensure that all components are firmly in place.



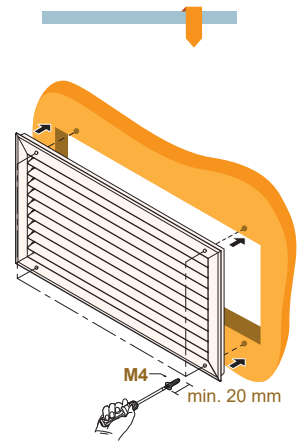
In case of adjustable outlet check that all blades move properly.



Align the outlet properly with the opening. Any frame distortion can hinder the moving components.



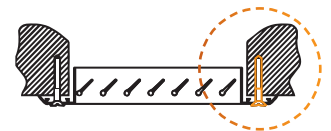
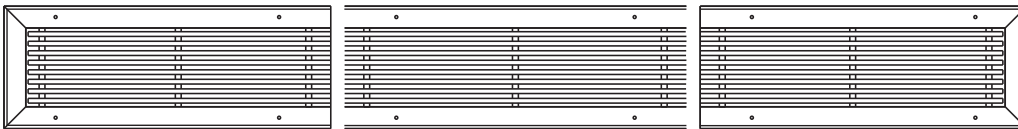
Install the outlet using the supplied accessories (screws, springs, plenum boxes etc).



BASIC INSTALLATION METHODS

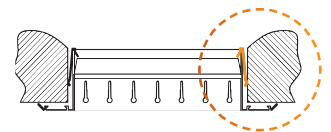
1. Visible installation with screws.

For easy, quick and secure installation. The number of screws required depends on the size of the grille. Bigger grilles require greater number of screws. In case the grille is extremely big, it can be fragmented according to specifications.



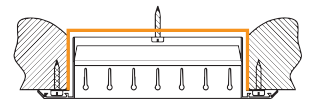
2. Concealed installation with springs

For situations that require an aesthetically better result. Laminas with special cavities, are placed inside the opening where the grille is to be installed, while springs are placed on the grille's frame. The support of the grille is achieved when the springs are secured inside the special cavities of the laminas. This installation method is suitable only for wall installation and not for ceiling installation, for security reasons.



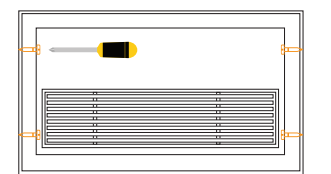
3. Concealed installation with П-shaped subframe

For situations that require both an aesthetically better result and a secure installation. A П-shaped subframe is mounted in the hole in which the grille is to be installed and supported by visible screws. The grille is secured on the frame with internal screw located at the back of the grille. This screw is accessible by screwdriver through the front face of the grille. This type of installation is not suitable for accessible grilles.



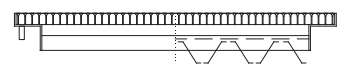
4. Concealed installation with internal screws at the side of the grille

For situations with accessible grilles that require both an aesthetically better result and a secure installation. The grille is secured in the hole with internal screws placed in both sides of the grilles. The screws are accessible through the opening face of the grille.



5. Installation of floor grilles

Usually, a floor grille does not require any additional accessories for placement. It does have screws in the back to adjust its height in order to be on the same level as the rest of the floor.

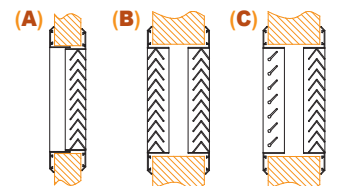


However, if the opening and therefore the placement is not perfect, then we can use one of the standard installation methods (screws, springs, etc)

6. Installation of door grilles

Depending on the door thickness we can have the following installation options:

- A.** Installation of a door grille on one side, along with a simple frame on the other, suitable for door thickness 21 ± 50 mm.
- B.** Installation of a door grille on each side, suitable for door thickness 21 ± 50 mm.
- C.** Installation of a door grille on one side, along with a grille G1 on the other, suitable for door thickness 21 ± 50 mm.



MAINTENANCE

- Inspect periodically the outlets to ensure that their fixings (screws, springs, subframe, etc) remain secure in place.
- Check that the outlet is still rigid and all its moving components (blades, actuators, etc) remain unhindered and operate normally.
- In case of accessible outlets, inspect whether they have filters that need to be cleaned or replaced.
- If the outlets need cleaning, use a non abrasive sponge / cloth, damped with water mixed with a mild detergent solution. Do not use solvents, cleaning agents contain chlorine or abrasive cleaning tools because they can damage the outlet's finish.



Management System
ISO 14001:2015



www.tuv.com
ID: 9108650718

ISO 9001:2015

ISO 14001:2015

AIR HANDLING UNITS




HEAT EXCHANGERS




FAN COIL UNITS



FANS & FAN SECTIONS




FIRE DAMPERS



AIR OUTLETS



STEAM HUMIDIFIERS - DEHUMIDIFIERS



CENTRAL VACUUM SYSTEMS



TUBO
THINK CLEAN

STAINLESS STEEL CHIMNEYS



AIR FILTERS



AIR CURTAINS



EVAPORATIVE COOLING




Main Office ATHENS

📍 Michail Karaoli Str. 19,
14343, Nea Chalkidona, Athens
211-7055500
✉ sales@airtechnic.gr

Factory - THIVA

📍 4th km Thiva - Chalkida Hwy,
32200, Thiva
22620 - 89006
✉ factory@airtechnic.gr

Factory - THESSALONIKI

📍 End of Meandrou Str.,
57013, Oraiokastro, Thessaloniki
2311 - 824000
✉ thessaloniki@airtechnic.gr